

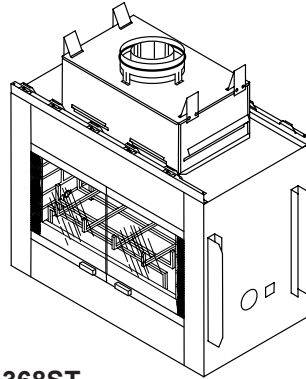


FMI PRODUCTS, LLC

**SEE-THRU WOOD BURNING FIREBOX
OWNER'S OPERATION AND INSTALLATION MANUAL**



We recommend that our products be installed and serviced by professionals who are certified in the U.S. by NFI (National Fireplace Institute).
www.nficertified.org



**Models (V)368ST
(V)I368ST (Fully Insulated)**

SAVE THIS BOOK

This book is valuable. In addition to instructing you on how to install and maintain your appliance, it also contains information that will enable you to obtain replacement parts or accessory items when needed. Keep it with your other important papers.

This firebox is approved for use as a wood burning firebox or for use with a vented gas log approved to ANS Z21.60, Z21.84 standards or for use with a vent-free gas log heater approved to ANS Z21.11.2 standard.

This wood burning firebox complies with UL127-CAN/ULS-S610-M87 standard as a **FACTORY BUILT APPLIANCE** and is listed and tested by PFS Corporation.

FOR CANADA: The authority having jurisdiction (such as the municipal building department, fire department, etc.) should be contacted before installation to determine the need to obtain a permit.

INSTALLER: Leave this manual with the appliance.
CONSUMER: Retain this manual for future reference.

For more information, visit www.fmiproducts.com

⚠ WARNING: Improper installation, adjustment, alteration, service or maintenance can cause injury, property damage or loss of life. Refer to this manual for assistance or additional information. Consult a qualified installer or local distributor.

TABLE OF CONTENTS

Safety	2	Optional Gas Line Installation.....	12
Product Dimensions	3	Operation and Maintenance Guidelines	13
Firebox Installation	4	Technical Service.....	14
Venting Installation	6	Replacement and Accessory Parts.....	14

SAFETY

IMPORTANT: Check local codes before installing this firebox.

This is a wood burning firebox intended and approved for installation in either residential homes or buildings of standard construction. This firebox system requires the utilization of a FMI PRODUCTS, LLC 8" double wall, snap-lock flue pipe system.

Glass doors are optional with this firebox and come in different styles. For more information see [Glass Doors](#), page 13).

The model's serial number and any other specific rating information may be found on the rating plate located inside the firebox opening.

Before beginning the installation of the firebox, read these instructions through completely.

- This FMI PRODUCTS, LLC firebox and its approved components are safe when installed according to this installation manual and operated as recommended by FMI PRODUCTS, LLC. Use only FMI PRODUCTS, LLC approved components, which have been designed and tested for the fireplace system. Failure to do this may cause a fire hazard.
- The FMI PRODUCTS, LLC warranty will be voided by and FMI PRODUCTS, LLC disclaims any responsibility for the following actions.
 - a. Modification of the firebox or any of the components manufactured by FMI PRODUCTS, LLC unless otherwise permitted by FMI PRODUCTS, LLC.
 - b. Use of a firebox insert or any other component part not approved by FMI PRODUCTS, LLC in combination with a FMI PRODUCTS, LLC firebox.

c. Installation and/or operation in a manner other than instructed in this manual.

d. The burning of any other fuel not tested or approved by FMI PRODUCTS, LLC in this wood burning firebox.

Proper installation is the most important step in ensuring safe and continuous operation of the fireplace. Although grounding may not be required by code in your area, it must be electrically grounded in accordance with local codes or, in the absence of local codes, with the *National Electrical Code, ANSI/NFPA 70-1990*.

This firebox is intended for installation in accordance with the *National Fire Protection Association Standard for Chimneys, Fireplaces, Vents and Solid-Fuel Burning Fireplaces, NFPA 211*, and in accordance with codes such as the *BOCA Basic/National Code, the Standard Mechanical Code, and the Uniform Building Code*.

⚠ WARNING: Do not install a firebox insert in this firebox unless the manufacturer's instructions with the insert specifically state this firebox has been tested for use with the insert.

This firebox is not intended to be used as a substitute for a furnace to heat an entire home. Use for supplemental heat only.

SAFETY

Continued

FOR YOUR SAFETY

- Do not store or use gasoline or any other flammable vapors or liquids in the vicinity of this or any other appliance.
- Due to high temperatures, the appliance should be located out of traffic and away from furniture and draperies.
- Do not place clothing or other flammable materials on or near the appliance.
- Never leave children unattended when a fire is burning in the fireplace.

WARNING: Always leave glass doors fully opened or fully closed when operating fireplace.

WARNING: Use solid wood or processed solid fuel fire logs only. When processed wood fuel fire logs are used, do not poke or stir the logs while they are burning. Use only fire logs that have been evaluated for the application in fireplace and refer to fire log warnings and caution markings on packaging prior to use.

WARNING: Children and adults should be alerted to the hazards of high surface temperatures and to stay away to avoid burns or clothing ignition. Young children should be carefully supervised when in the same room as fireplace.

PRODUCT DIMENSIONS

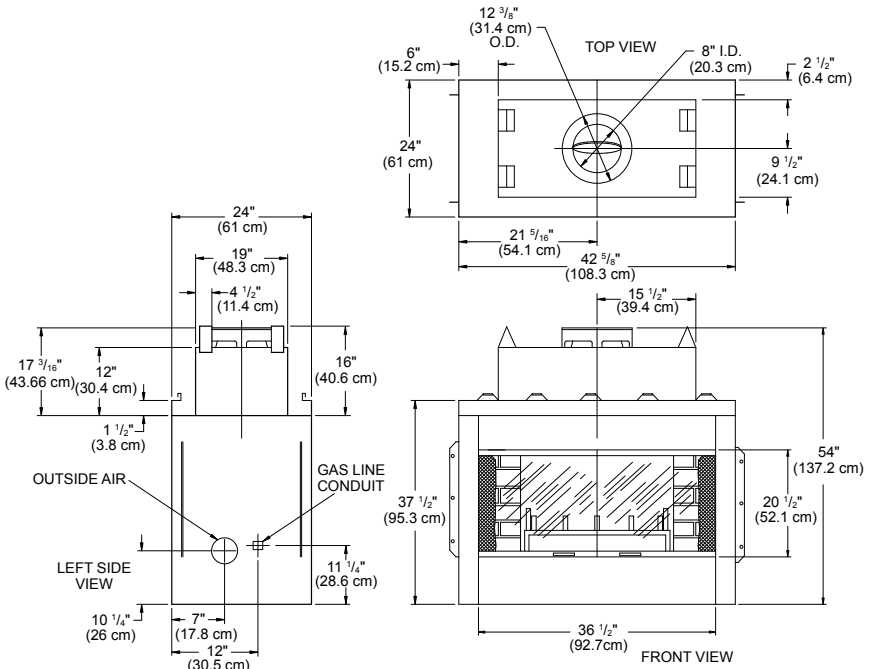


Figure 1 - Dimensions

FIREBOX INSTALLATION

SELECTING LOCATION

To determine the safest and most efficient location for the firebox, you must take into consideration the following guidelines:

1. The location must allow for proper clearances.
2. Consider a location where the heat output will not be affected by drafts, air conditioning ducts, windows or doors.
3. A location that avoids the cutting of joists or roof rafters will make installation easier.
4. If an outside air kit is to be installed, accessibility to outside combustion air must be considered. This can also be achieved through a vented crawl space in some cases (see *Optional Outside Air Kit* on page 6).
5. Do not connect this firebox to a chimney system other than a FMI PRODUCTS, LLC chimney system.
6. Install in an area providing ventilation and adequate combustion air.
7. Due to high temperatures, do not locate this firebox in high traffic areas or near furniture or draperies.
8. Provide adequate clearances around air openings into combustion chamber. NEVER obstruct front opening of firebox or flow of combustion and ventilation air.
9. Do not locate in or near an area where gasoline or other flammable liquids may be stored. The firebox area must be kept clear and free from these combustible materials.

The typical installation for this fireplace is a projected installation which allows you to extend the fireplace any distance into the room. A projection may be ideal for a new addition on an existing, finished wall.

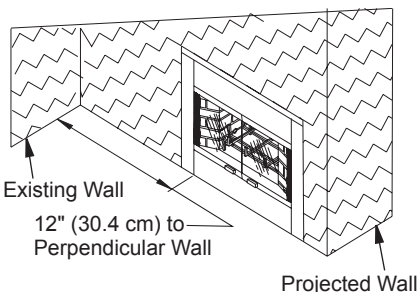


Figure 2 - Common Location of Fireplace

MINIMUM CLEARANCE TO COMBUSTIBLES

Back and sides of firebox	1" min.
Adjacent wall	12" min.
Chimney outer pipe surfaces	2" min.
Bottom of firebox to floor	0" min.

⚠ WARNING: Do not block required air spaces with insulation or any other material. Do not obstruct effective opening* of firebox with any type of facing material. Combustible material must not be in contact with black front face of firebox.

***(The effective opening is considered the opening where actual heat output may occur.)**

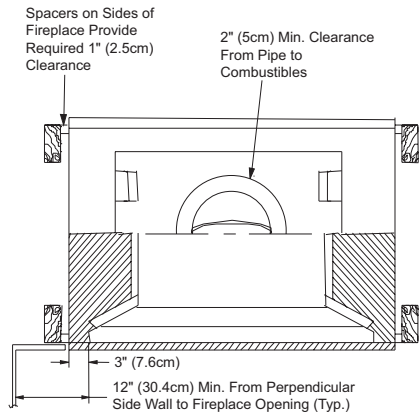


Figure 3 - Firebox Clearances

MANTEL CLEARANCES

Woodwork such as wood trims, mantels or any other combustible material projecting from the front face must not be placed within 9" of firebox effective opening.

Combustible materials above and projecting more than 1 1/2" from the firebox front face (see Figure 4, page 5) must not be placed less than 12" from effective opening of the firebox (NFPA STD 211, Sec. 7-3.3.3).

Mantels or any other combustible material may also come up to the side edge of the black metal face of the firebox only if the projection from the front face falls within limits shown in Figure 5, page 5.

FIREBOX INSTALLATION

Continued

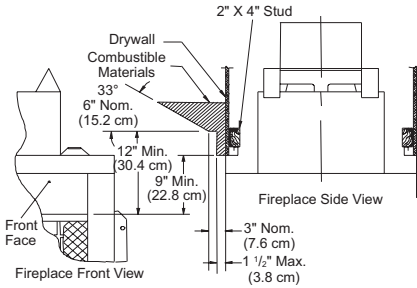


Figure 4 - Mantel Clearances to Combustible Materials

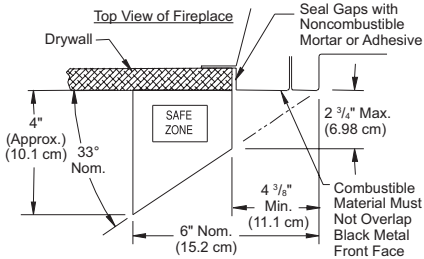


Figure 5 - Mantel Clearances to Metal Face

FRAMING

1. Frame the opening for the firebox using the dimensions shown in Figures 6 and 7 depending on your installation.
2. If firebox is to be installed directly on carpeting, tile (other than ceramic) or any combustible material other than wood flooring, firebox must be installed upon a metal or wood panel extending full width and depth of firebox.

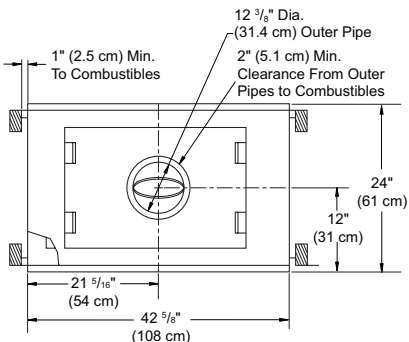


Figure 6 - Framing Clearances

3. Set firebox directly in front of opening and slide unit back until nailing flanges touch side framing.
4. Check the level of firebox and shim with sheet metal if necessary.
5. Before securing firebox to prepared framing, ember protector (provided) must be placed between hearth extension (not supplied) and under bottom front edge of firebox to protect against glowing embers (see Figure 8 and *Hearth Extensions* on page 6). If firebox is to be installed on a raised platform, a Z-type ember protector (not supplied) must be fabricated to fit your required platform height (see Figure 7). The ember protector should be made of sheet metal (28 gauge minimum) to prevent corrosion.
6. Secure firebox to framing at nailing flanges located on sides of firebox (see Figure 9, page 6).

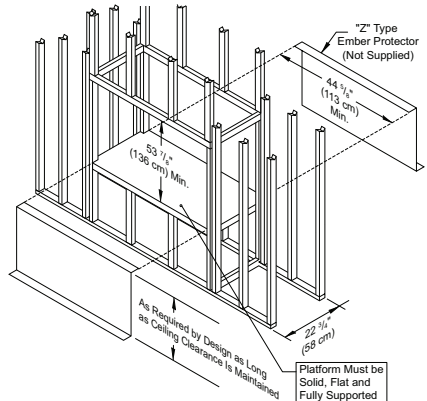


Figure 7 - Framing Firebox with "Z" Type Ember Protectors

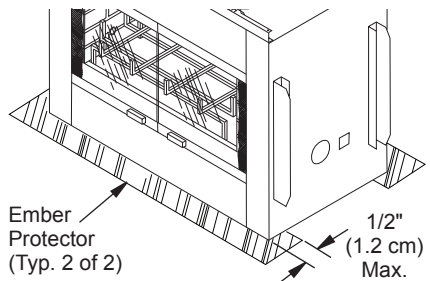


Figure 8 - Ember Protectors

FIREBOX INSTALLATION

Continued

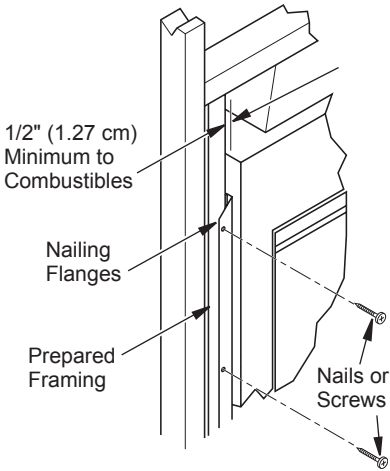


Figure 9 - Nailing Flanges

HEARTH EXTENSION

A hearth extension projecting a minimum of 16" in front of and a minimum of 8" beyond each side of the firebox opening is required to protect combustible floor construction in front of firebox (see Figure 10). Fabricate a hearth extension using a material which meets the following specifications: a layer of noncombustible, inorganic material having a thermal conductivity of $K=0.84$ BTU IN/FT, HR. F (or less) at 1" thick. For example, if the material selected has a K factor of 0.25, such as glass fiber, the following formula would apply:

$$\frac{0.25 \times 1.0"}{0.84} = 0.30" \text{ thickness required}$$

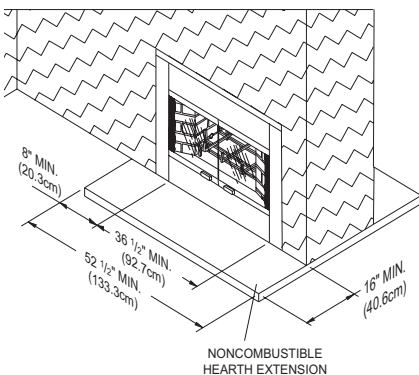


Figure 10 - Hearth Extension

Thermal conductivity "K" of materials can be obtained from manufacturer or supplier of noncombustible material.

If hearth extension is to be raised, a "Z" type ember protector must be used (see Figure 7, page 5, and Figure 11)

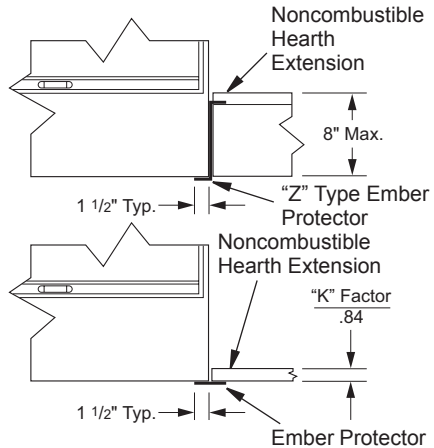


Figure 11 - Raised Hearth Extension

VENTING INSTALLATION

OPTIONAL OUTSIDE AIR KIT

The installation of an outside air kit should be performed during the rough framing of the firebox due to the nature of its location. Outside combustion air is accessed through an exterior wall or a vented crawl space (see Figure 12, page 7).



CAUTION: Air inlet ducts must not terminate in attic space.

The maximum height for the air vent can not exceed 3 feet below the flue gas outlet of the termination.

Avoid installing outside air eyebrow in areas where inlet opening may be blocked by snow, bushes or other obstacles. It should also be located beyond the reach of small children.

For further details on installation of outside air kit, please refer to instructions included with air kit. For operating instructions, please refer to your owner's manual.

VENTING INSTALLATION

Continued

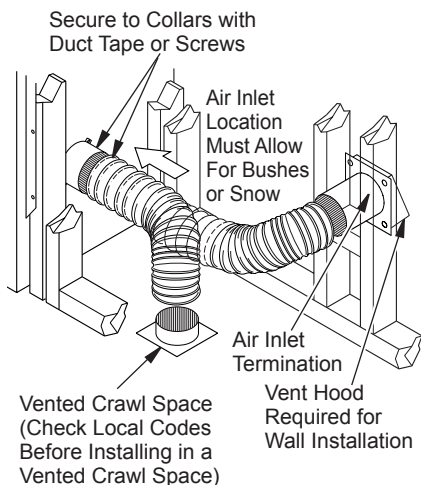


Figure 12 - Outside Air Kit Installation

CHIMNEY PIPE

The FMI PRODUCTS, LLC chimney system is a snap-lock, double-wall pipe. It consists of a stainless steel inner flue pipe(s), a galvanized outer pipe and a wire spacer. Each section of pipe comes in lengths of 12", 18", 36" and 48". The actual lineal gain for each is measured after each section is fully connected. Lineal gain is the actual measurable length of a part after two or more parts are connected.

PIPE INSTALLATION

The pipe sections must be assembled independently as the chimney is installed. When connecting chimney directly to the firebox, the inner flue

pipe section must be installed first with the lanced side up. The outer pipe section can then be installed over the flue pipe section with the hemmed end up. Press down on each pipe section until the lances securely engage the hem on the firebox starter. The wire will assure the proper spacing between the inner and outer pipe sections.

Continue to assemble chimney sections as outlined above, making sure that both the inner and outer pipe sections are locked together (see Figure 13). When installing double wall snap-lock chimney together, it is important to assure the joint between the chimney sections is locked. Check by pulling chimney upward after locking. The chimney will not come apart if properly locked. It is not necessary to add screws to keep the chimney together.

FIRESTOP SPACERS FS-8DM

Firestop spacers are required at each point where the chimney penetrates a floor or ceil-

WARNING: The opening in the collar around the chimney at the top of the firebox must not be obstructed. Never use blown insulation to fill the chimney enclosure.

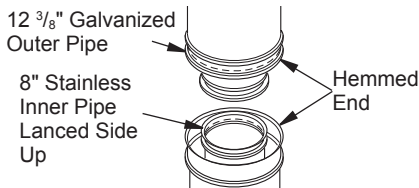


Figure 13 - Pipe Connection

ing joint space. Their purpose is to establish and maintain the required clearance between the chimney and the combustible materials. When penetrating a floor or ceiling at an angle, use firestop spacer number 30FS-8DM (see *Replacement and Accessory Parts*, page 14). When the pipe passes through a framed opening into a living space above, the firestop must be placed onto the ceiling from below as shown in Figure 14, page 8. When the pipe passes through a framed opening into an attic space above, the firestop must be placed on the attic floor as shown in Figure 15, page 8.

LINEAL GAIN		
PART NO.	DESCRIPTION	GAIN
(V)(I)368ST	See-Through	54"
12-8DM	Flue Pipe	10 ⁵ / ₈ "
18-8DM	Flue Pipe	16 ⁵ / ₈ "
24-8DM	Flue Pipe	23 ⁵ / ₈ "
36-8DM	Flue Pipe	34 ⁵ / ₈ "
48-8DM	Flue Pipe	46 ⁵ / ₈ "
RTL-8DM RTTL-8DM	Round Top Termination	6"
ETL-8M ETO-8DM ETLO-8DM	Econo-Top Termination	1" to 12"

VENTING INSTALLATION

Continued

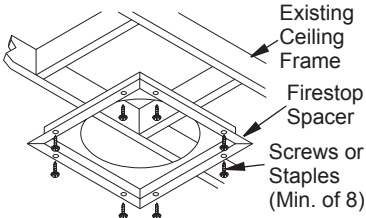


Figure 14 - Firestop Spacer with Living Space Above Ceiling

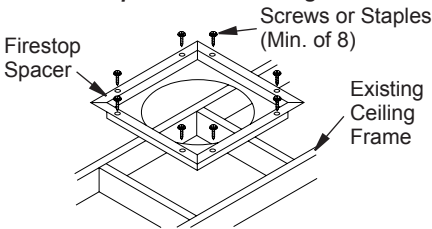


Figure 15 - Firestop Spacer with Attic Space Above Ceiling

SUPPORT SECTIONS

The chimney support section is a 4" strap and 12" length of pipe. A chimney support is required every 30 feet above fireplace after a straight chimney run or above a return elbow after a straight chimney run (see Figure 16). This support is designed to relieve the extra weight load on firebox and elbows when high chimneys are installed.

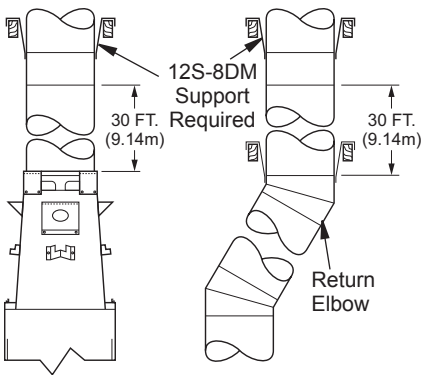


Figure 16 - Elbow Offset

ELBOW OFFSET INSTALLATION

Chimney weight above offset rests on return elbow. Straps must be securely nailed to rafters or joists (see Figure 17).

To achieve desired offset, you may install combinations of 12", 18", 36" and 48" length of double wall pipe (see offset chart and Figure 18).

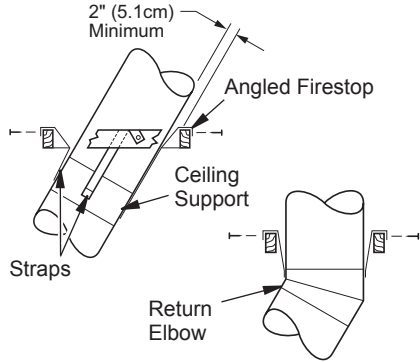
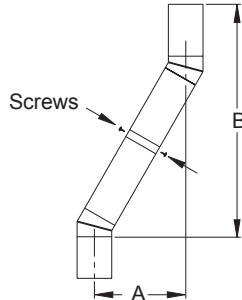


Figure 17 - Chimney Supports



OFFSET A	RISE B	CHIMNEY LENGTH			
		48"	36"	18"	12"
4 3/8"	16 3/8"				
9 1/2"	25 1/4"				1
12 1/2"	30 3/8"			1	
14 3/8"	34"				2
17 5/8"	39 1/4"			1	1
21 1/2"	46"		1		
22 3/4"	48 1/8"			1	2
26 3/8"	54 7/8"	1			
26 3/8"	60"		1	1	
31 3/4"	63 3/4"	1			1
34 3/4"	69"	1		1	
38 5/8"	75 5/8"		2		
39 7/8"	77 7/8"	1		1	1
43 3/4"	84 1/2"	1	1		
46 3/4"	87 3/4"		2	1	
48 7/8"	93 3/8"	2			

Figure 18 - Rise and Offset

VENTING INSTALLATION

Continued

Maximum length of pipe between supports is 6 feet of angled run. A maximum of two 6 feet angled run sections per chimney system (see Figure 19).

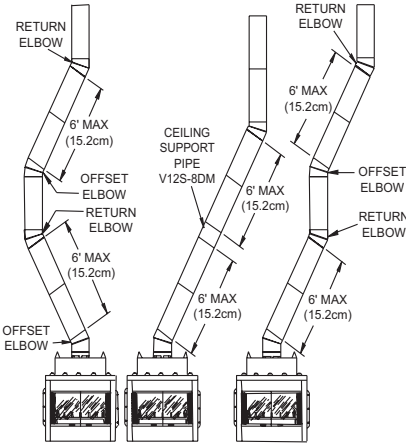


Figure 19 - Typical Offset Installations

10 FOOT RULE

All chimney terminations must extend a minimum of 3 feet above the highest point where it passes through the roof and must be at least 2 feet above roof with a 10 foot horizontal span (see Figure 20).

IMPORTANT: If an exposed portion of chimney is greater than 4 feet above the roof line, use support wires to keep chimney secure. Support wires may be attached to outer pipe of chimney with screws, if screws do not penetrate inner flue pipe.

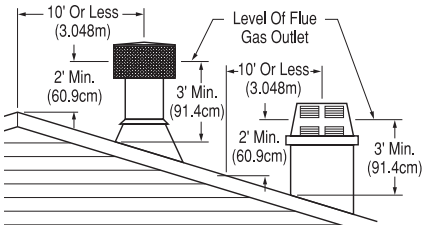


Figure 20 - 10 Foot Rule

MINIMUM / MAXIMUM CHIMNEY HEIGHT

The minimum height of the chimney (measured from the base of the fireplace to the flue gas outlet-end of pipe) is 16 feet for a straight

run, 16 feet minimum for a run with 1 elbow set and 25 feet minimum for a run with 2 elbow sets. (A set consists of one starter elbow and one return elbow.)

Uncommon circumstances such as neighboring hills, tall trees, or strong wind areas can cause down drafts in chimney system. In such cases, going beyond the minimum recommended height would be preferable to provide a better draw.

The fireplace height approved for any chimney run with this fireplace system is 40 feet measured from bottom of firebox to flue outlet-end of pipe (see Figure 21).

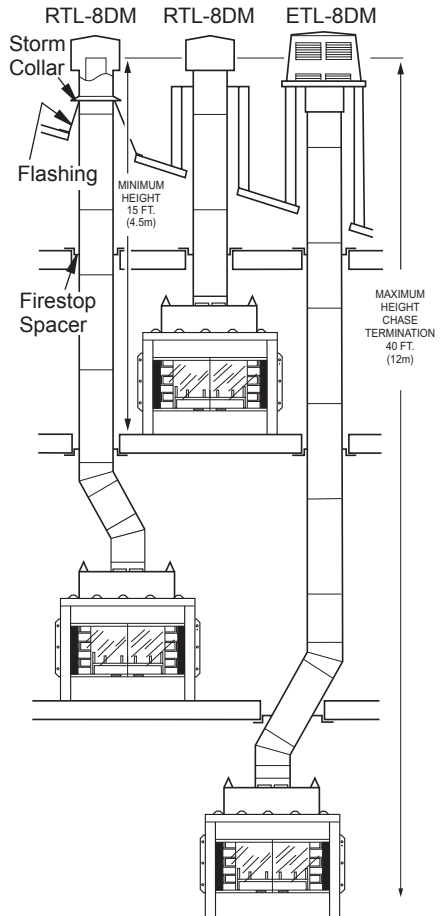


Figure 21 - Maximum Chimney Height

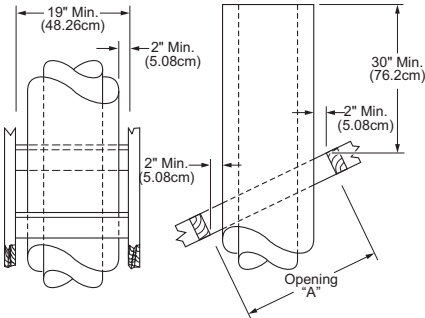
VENTING INSTALLATION

Continued

PENETRATING ROOF

To maintain a 1" clearance to pipe on a roof with a pitch, a rectangular opening must be cut.

1. Determine the center point through which pipe will penetrate roof.
2. Determine center point of roof. Pitch is the distance the roof drops over a given span, usually 12". A 6/12 pitch means that the roof drops 6" for each 12" one measure horizontally down from roof rafters.
3. Use roof opening chart (Figure 22) to determine correct opening length and flashing required.
4. Remove shingles around opening measured. Cut out this section.
5. Add next sections of pipe until end penetrates roof line. Check to see that proper clearances are maintained. Extend chimney by adding sections of double wall pipe until pipe is minimum of 30" above highest point of roof cutout. Termination and chimney must extend a minimum of 36" above highest point where it passes through the roof (see 10-Foot Rule and Figure 20, page 9).



Pitch	Slope	Opening "A" Max.	Used Flashing Model No.
Flat	0°	19"	V6F-8DM
0-6/12	26.6°	23.25"	V6F-8DM
6/12-12/12	45°	30.75"	V12F-8DM

Figure 22 - Roof Opening Measurements
FLASHING INSTALLATION

Determine flashing to be used with roof opening chart. Slide flashing over pipe until base is flat against roof. Replace as many shingles as needed to cover exposed area and flashing base. Secure in position by nailing through shingles (see Figure 23). **DO NOT NAIL THROUGH FLASHING CONE.**

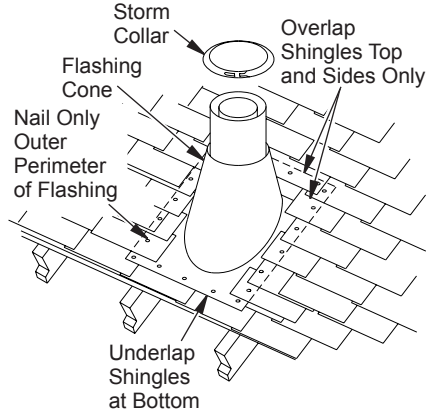


Figure 23 - Flashing Installation

STORM COLLAR INSTALLATION

Place storm collar over pipe and slide down until it is snug against the open edge of the flashing (see Figure 24). Apply waterproof caulking to all seams and notches around storm and also at base around shingles.

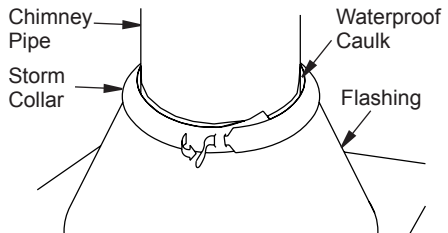


Figure 24 - Storm Collar

TERMINATIONS

The firebox system must be terminated with the listed round top or chase terminations. In any case, refer to the installation instructions supplied with the termination.

Terminations approved for this fireplace are RTL-8DM and RTTL-8DM, which can be used for flashing or chase and ETO-8DM and ETLO-8DM for chase style termination only. Figure 25, page 11, shows a RTL-8DM round top termination.

CAUTION: Do not seal openings on rooftop flashing. Follow installation instructions provided with termination being used.

VENTING INSTALLATION

Continued

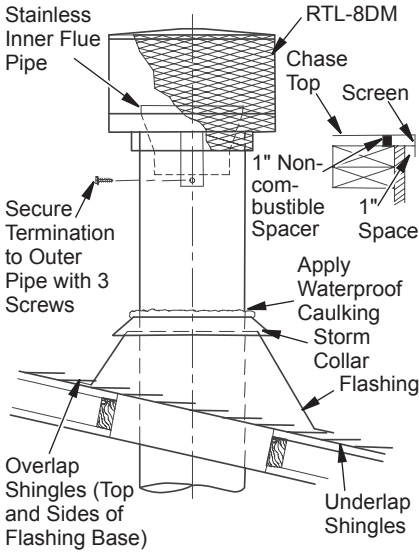


Figure 25 - Terminations

CHASE INSTALLATIONS

Instructions for chase installations are included with the chase style termination chosen. In a multiple chase installation, be sure to provide adequate distance between terminations to prevent smoke spillage from one termination to another. Terminations must be separated a minimum of 30" center to center and stacked at a minimum vertical height difference of 18" (see Figure 26).

Note: If a decorative shroud is to be installed, contact the manufacturer for specifications.

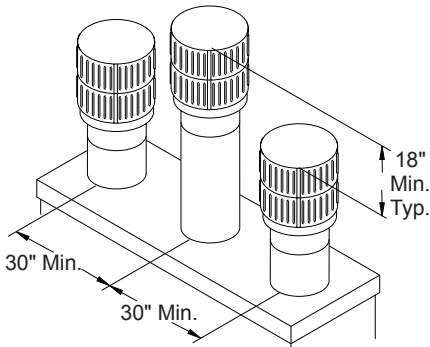


Figure 26 - Multiple Chase Installation

FINISHING FIREBOX

Installing Firebox Facing

Any noncombustible material may be used for facing (glass, tile, brick, etc.) as long as proper clearances are adhered to and firebox openings are not obstructed in any way (see Figure 27).

Use only heat resistant, noncombustible mortar or adhesive when securing facing material to front of firebox. When placing facing at upper edge of effective opening of firebox, provide "L" shaped piece of metal extending full width of opening (see Figure 27).

Secure with sheet metal screws at a distance high enough from edge so it doesn't interfere with operation of doors. This assures that facing material will not block openings.

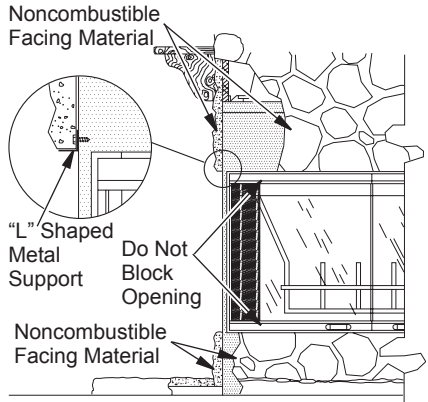


Figure 27 - Fireplace Facing (Your Fireplace May Vary from Illustration)

OPTIONAL GAS LINE INSTALLATION

⚠ WARNING: A qualified service person must connect gas supply. Follow all local codes.

NOTICE: Before you proceed, make sure your gas supply is turned off.

A gas line may be installed for the purpose of installing a vented or vent-free decorative gas appliance available through your local distributor. Use only 1/2" black iron pipe and appropriate fittings. When installing a gas line, a shutoff valve designed for installation outside the appliance is recommended.

1. Remove knockout indentation on refractory or firebrick wall located approximately 2" above the refractory hearth floor. The knockout indentation must be firmly tapped with any solid object such as a 1/2" dowel until it is released. Remove fragmented portions of refractory (see Figure 28).
 2. Remove gas line cover plate located on rear of fireplace and pull out insulation from gas line conduit sleeve. Save insulation for reuse.
 3. Run 1/2" black iron gas line into the firebox through the rear at 11 1/4" from floor and through gas line conduit sleeve (if using a raised platform, add height). Provide sufficient gas line into firebox chamber for fitting connection (see Figure 29).
- Note: Secure incoming gas line to wood framing to provide rigidity for threaded end.*
4. Repack insulation around gas line and into sleeve opening. Seal any gaps between gas line and refractory knockout hole with refractory cement or commercial furnace cement. Install the gas appliance or cap off gas line if desired.

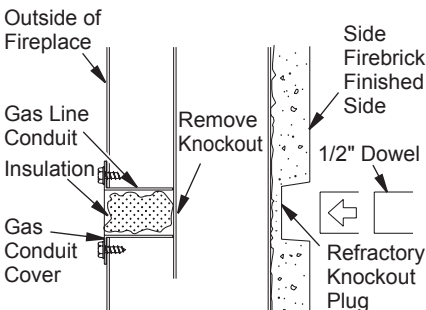


Figure 28 - Gas Line Knockout

⚠ CAUTION: All gas piping and connections must be tested for leaks after the installation is completed. After ensuring that the gas valve is on, apply soap and water solution to all connections and joints. Bubbles forming show a leak. Correct all leaks at once. DO NOT USE AN OPEN FLAME FOR LEAK TESTING AND DO NOT OPERATE ANY APPLIANCE IF A LEAK IS DETECTED. LEAK TESTING SHOULD BE DONE BY A QUALIFIED SERVICE PERSON.

The gas pipe is intended for connection to an unvented gas log set or a decorative gas appliance.

If using an unvented gas log set, ONLY UNVENTED GAS LOG SETS WHICH HAVE BEEN FOUND TO COMPLY WITH THE STANDARDS FOR UNVENTED ROOM HEATERS, ANS Z21.11.2, ARE TO BE INSTALLED IN THIS FIREBOX.

If installing a decorative gas appliance, the decorative gas appliance must comply with the *Standard for Decorative Gas Appliances for Installation in Solid Fuel Burning Fireplaces*, ANS Z21.60 and shall also be installed in accordance with the *National Fuel Gas code*, ANS Z223.1.

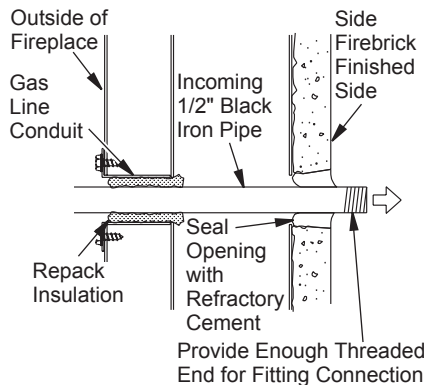


Figure 29 - Gas Line Installation

OPTIONAL GAS LINE INSTALLATION

Continued

⚠ WARNING: Do not operate an unvented gas log set in this firebox with the chimney removed.

⚠ WARNING: If the firebox has been used for wood burning, the firebox and chimney must be cleaned of soot, creosote and ashes by a qualified chimney cleaner. Creosote will ignite if heavily heated.

⚠ WARNING: When using a decorative vented gas log, the damper must be removed or permanently locked in the fully open position and the glass doors must be in the fully open position.

Note: An appropriate FMI PRODUCTS, LLC hood (see [Replacement and Accessory Parts](#), page 14) must be installed when using an unvented gas log set.

OPERATION AND MAINTENANCE GUIDELINES

GLASS DOORS

Bi-fold glass doors are optional with this firebox. They come in brushed or polished brass.

To install glass doors, refer to installation instructions that are included with kit. When firebox is in operation, doors must be fully open or fully closed position only or a fire hazard may be created (see Figure 30 or 31).

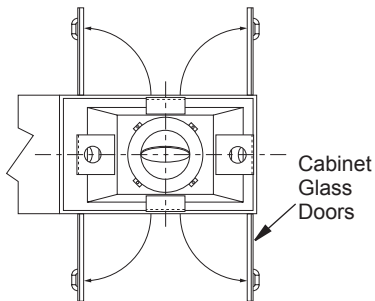


Figure 30 - Cabinet Glass Doors

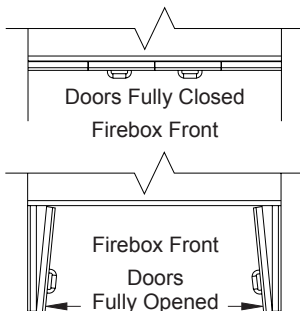


Figure 31 - Bi-Fold Glass Doors

A firebox equipped with glass doors operates much differently than a firebox with an open front. A firebox with glass doors has a limited amount of air for combustion. Excessive heat within the firebox can result if too large a fire is built or if combustion air gate is not completely open.

The following tips should be followed to assure that both the firebox and glass door retain their beauty and function properly:

- Both the flue damper and glass doors must be fully opened before starting fire. This will provide sufficient combustion air and maintain safe temperatures in firebox.
- The glass must be allowed to warm slowly and evenly. The tempered glass will withstand a gradual temperature rise to 550° F, which is more than a normal fire will generate. Such materials as pitch/wax laden logs, very dry mill end lumber and large amounts of paper or cardboard boxes. Always keep the fire well back from the doors and never allow flames to contact the glass.

⚠ WARNING: Fireplaces equipped with glass doors should be operated only with doors fully opened or doors fully closed. Doors, if left partly open, may draw gas and flame out of the fireplace opening creating risks of both fire and smoke.

OPERATION AND MAINTENANCE GUIDELINES

Continued

Cleaning Glass

Clean glass with any commercial glass cleaner or soap and water. Do not use any abrasive material to clean glass. Do not clean glass with any cool water if glass is still hot from the fire. To remove doors, refer to instructions included with glass door kit.

DAMPER MECHANISM

The damper control lever is located inside the fire chamber (see Figure 32). Make sure lever is cool before handling. Pull down to close and push up to open. Damper must be open when lighting a fire. Not doing so will cause smoke spillage into the room. When firebox is not in use, close damper to prevent down drafts to enter room.

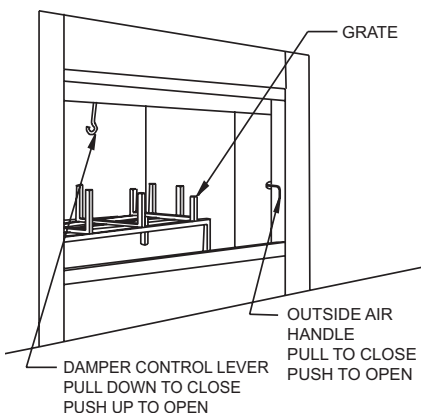


Figure 32 - Damper Operation

OUTSIDE AIR MECHANISM

The outside air handle is located at the right hand side of firebox rear refractory (see Figure 32). Pull to close, push to open. Always open mechanism when starting a fire. This provides adequate outside combustion air. Close mechanism when not in use to prevent cold air from entering room. Periodically check your outside air intake vent hood for any possible obstructions such as snow, bushes, etc.

GRATE

The grate is designed to provide you with the maximum solid fuel capacity. Do not overload grate or obstruct required air space beneath it. Doing so may cause smoke spillage and a fire hazard.

WARNING: Risk of fire! Replace grate with FMI model 11168 grate only. This grate has been designed to keep the operation of your fireplace safe and efficient.

Never obstruct flow of combustion and ventilation air. Keep front of firebox clear of all obstacles and materials.

CHIMNEY

Have your chimney system cleaned and inspected regularly to ensure safe and efficient operation.

WARNING: Children and adults should be alerted to the hazards of high surface temperatures and to stay away from these to avoid burns or clothing ignition. Young children should be carefully supervised when they are in the same room as firebox.

TECHNICAL SERVICE

You may have further questions about installation, operation, or troubleshooting. If so, contact FMI PRODUCTS, LLC at 1-866-328-4537. When calling please have your model and serial numbers of your heater ready.

You can also visit our web site at www.fmiproducts.com.

REPLACEMENT AND ACCESSORY PARTS

Purchase replacement parts or accessories from your local dealer. If they can not supply these accessories, call FMI PRODUCTS, LLC at 1-866-328-4537 for referral information. You can also write to the address listed on back cover of this manual. When you call, have your model number and replacement part number ready.

IMPORTANT: Use of any other glass door assembly not tested with this fireplace may cause a fire hazard and will void the FMI PRODUCTS, LLC warranty.

Note: Not all accessories are available for all models.

REPLACEMENT AND ACCESSORY PARTS

Continued

STORM COLLAR

SC1-1

(for use with RTL-8DM)

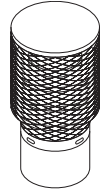


SC2-1

(for use with RTT-8DM and RTTL-8DM)

ROUND TOP TERMINATION

RTL-8DM, RTTL-8DM
RT-8DM, RTL-8DM



ROUND TOP TERMINATION WITH SLIP SECTION

RTT-8DM, RTTL-8DM

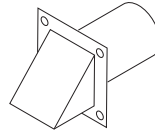
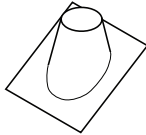
FLASHING

V6F-8DM for 0 to 6/12

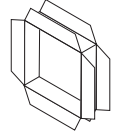
Roof Pitch

V12F-8DM for 6/12 to

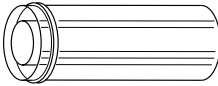
12/12 Roof Pitch



Vent Hood



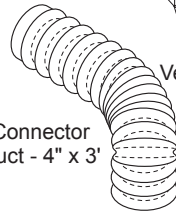
Vent Plaster Collar



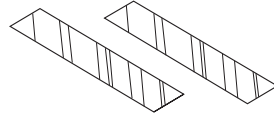
**DOUBLE WALL PIPE - 12-8DM,
18-8DM, 24-8DM, 36-8DM,
48-8DM**

(Chimney pipe assembly includes outer and inner pipes and comes with wire spacer. Also available in triple wall)

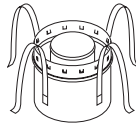
Connector
Duct - 4" x 3"



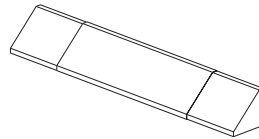
OUTSIDE AIR KIT - AK4



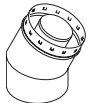
**DOUBLE WALL PIPE
SUPPORT ASSEMBLY
12S-8DM**



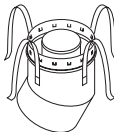
**EMBER PROTECTORS
20093**



Starter
Elbow



Return
Elbow



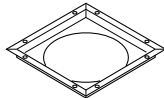
**DOUBLE WALL 30° ELBOW/OFFSET
30E-8DM**

ADJUSTABLE HOOD

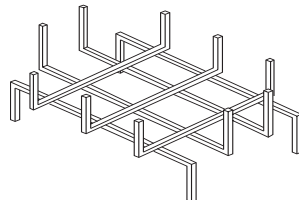
Black - GA6050

Brushed Brass - GA6053

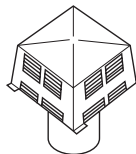
**FIRESTOP SPACER
FS-8DM for Straight
Pipe**



GRATE 11168



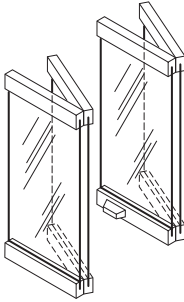
**ECONO TOP
TERMINATION
ETL-8DM,
ETLO-8DM**



REPLACEMENT AND ACCESSORY PARTS

Continued

BI-FOLD GLASS DOORS



DG368ST (Brushed Brass)

DC368ST (Platinum)

DBP368ST (Black)



FMI PRODUCTS, LLC

2701 S. Harbor Blvd.

Santa Ana, CA 92704

1-866-328-4537

www.fmiproducts.com

55511

Rev. F

09/09