

Fmi

FMI PRODUCTS, LLC

LDSTI & LDSTO

INSTRUCTION SHEET

UPGRADING (V)LDV43 TO SEE-THRU APPLICATION

Removing Rear Panel

1. In the rear of the fireplace, locate screws at top of rear panel and remove as shown in Figure 1. Discard screws and rear panel.
2. Unscrew mount bracket from top face as shown in Figure 2. Discard mounting bracket and replace screws.

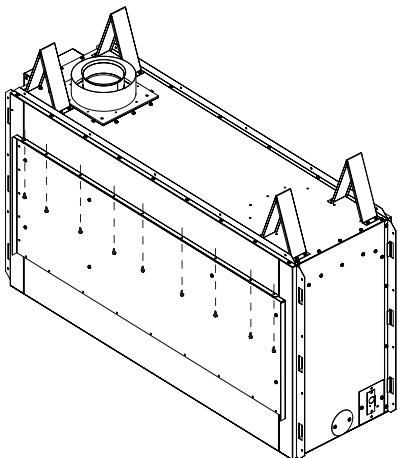


Figure 1 - Removing Rear Panel for See-Thru Applications

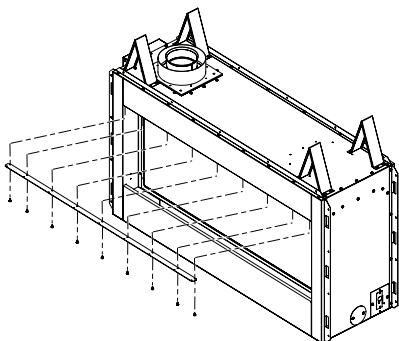


Figure 2 - Removing for See-Thru Applications

⚠ WARNING

HOT GLASS WILL CAUSE BURNS.
DO NOT TOUCH GLASS UNTIL COOLED.
NEVER ALLOW CHILDREN TO TOUCH GLASS.

Removing False Door

1. In the rear of the fireplace, remove false door just as you would remove the front glass door. Refer to Removing/Replacing Glass Door, page 2 of this manual for instruction. Discard false door.

Removing Rear Interior Wall

1. Remove glass door from front of fireplace. Refer to Removing/Replacing Glass Door, page 2 of this manual when removing glass door.
2. Unscrew 4 corner brackets from the fire-box top (See Figure 3).
3. Remove 2 side walls and then the rear wall. Discard rear wall. The magnet on the latch opener can be used to remove side walls.
4. Replace 2 side walls and reinstall the corner brackets.
5. Reinstall front glass door.

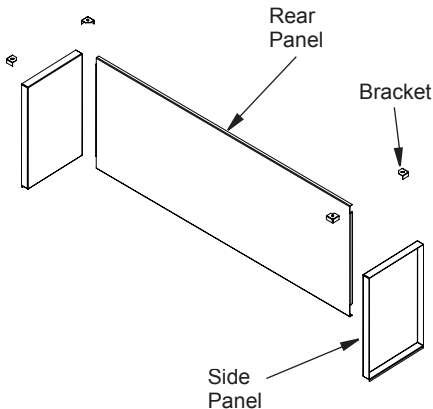


Figure 3 - Removing Rear Interior Wall for See-Thru Applications

Installing Second Glass Door

1. Install second glass door in the rear of the fireplace referring to Removing/Replacing Glass Door, page 2 of this manual.

INSTALLATION

Continued

Installing Access Door Retaining Brackets

1. Screw access door retaining brackets into the inner side face using 2 screws on both the left and right side as shown in Figure 4.

Installing Side Face Filler

1. Screw side face filler into firebox side baffle using 2 screws on both the left and right side as shown in Figure 5.

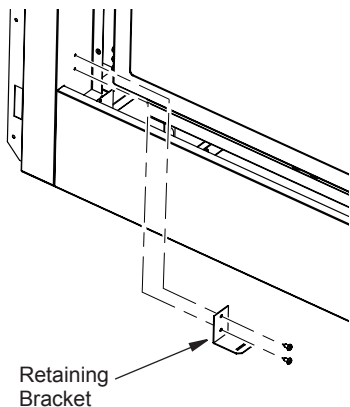


Figure 4 - Installing Access Door Retaining Brackets for See-Thru Applications

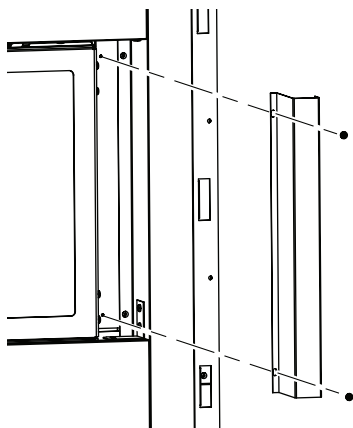


Figure 5 - Installing Side Face Filler for See-Thru Applications

Installing Access Door

1. Place access door into rectangular opening in front of the glass door with the slanted side facing forward. The slanted surface will slide underneath the flange of the bottom face. Insert tabs on side of access door into slots on retaining brackets (See Figure 6).

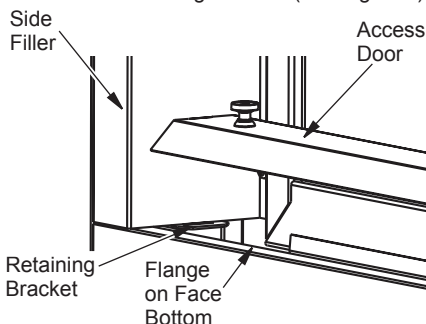


Figure 6 - Access Door for See-Thru Applications

REMOVING/REPLACING GLASS DOOR

⚠ CAUTION: Do not operate this fireplace with a broken glass door panel or without the glass door panel securely in place. For replacement part information see Parts, page 5.

⚠ CAUTION: Wear gloves and safety glasses while handling or removing broken glass. Do not remove if glass is hot. Keep children and pets away from glass.

⚠ WARNING: If fireplace has been running, turn off fireplace. Let cool before removing glass doors.

Removing Glass Door

If replacement of glass is necessary, the entire frame assembly must be replaced. Gloves must be worn when removing/replacing glass door. If glass is broken tape remaining glass onto frame before removing.

INSTALLATION

Continued

1. Remove bottom access panel.
2. Unlock 3 door latches on top of firebox using your fingers or the latch opener provided with the fireplace.
3. Hook opener over latch as shown in Figure 7. Swing the bottom of the opener down toward the door. You will not need to pull down.
4. Tilt open glass door 45° from the top of firebox and lift up to release door from retaining channel (see Figure 8).

Replacing Glass Door

1. Position door frame in front of firebox opening tilting top of door about 45° toward you. Insert bottom flange of glass door into the retaining channel at the bottom of firebox (see Figure 8). Make sure door is center with firebox opening.
2. Tilt top of door up toward top of firebox.
3. Secure 3 top door latches.

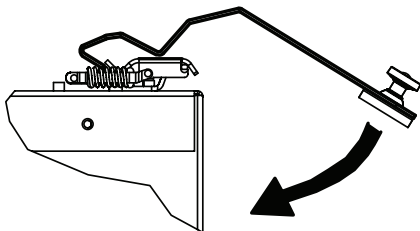


Figure 7 - Latch Opener

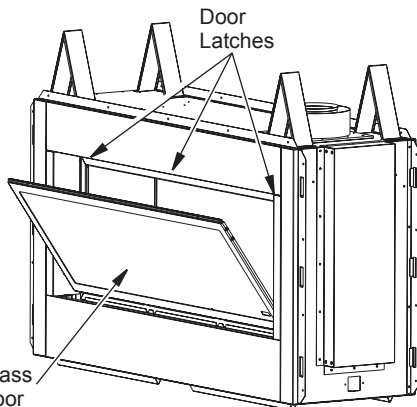


Figure 8 - Removing/Replace Glass Door

UPGRADING (V)LDV43 TO INDOOR/ OUTDOOR SEE-THRU APPLICATION

⚠ WARNING: LDSTI must be installed before installing LDSTO.

Installing Exterior Door

1. Center and level exterior door on rear face of the see-thru fireplace. Exact dimensions for the location of the door mounting holes are shown in Figure 9.

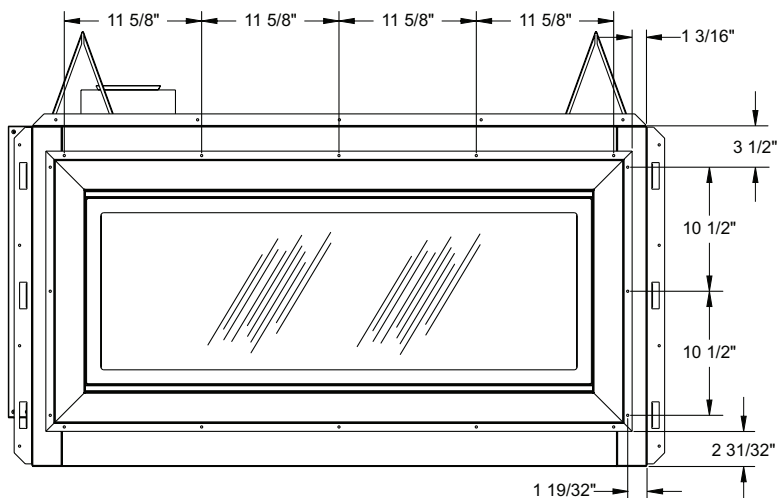


Figure 9 - Installing Exterior Door for See-Thru In/Out Application

INSTALLATION

Continued

- Using self tapping screws (provided) secure exterior door to the face of the fireplace by drilling through holes on door into the fireplace face (Figure 10). You may chose to drill pilot holes into the face using a 1/8" drill bit. Do not use self tapping screws, use any #10 x 1/2" screw.
- In locations of extreme weather, it is recommended to apply a bead of high temperature sealant around the edge where the exterior door meets the fireplace face.

NOTE: When finishing the face of the exterior side of the fireplace, use only non-combustible materials. You may extend up to the edge of the exterior door covering up the screws used for installation.

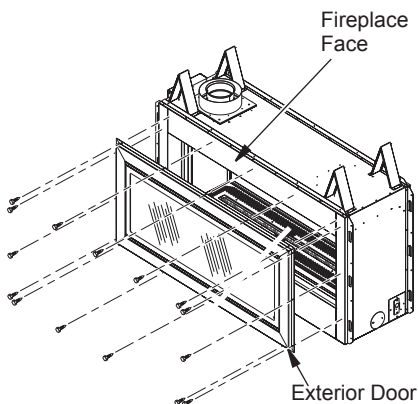


Figure 10 - Installing Exterior Door for See-Thru In/Out Application

Removing Exterior Glass Door

- Using a flat head screw driver, pop out the top and bottom trim pieces as shown in Figure 11.
- Remove 8 screws at top and bottom of glass door and remove glass door.

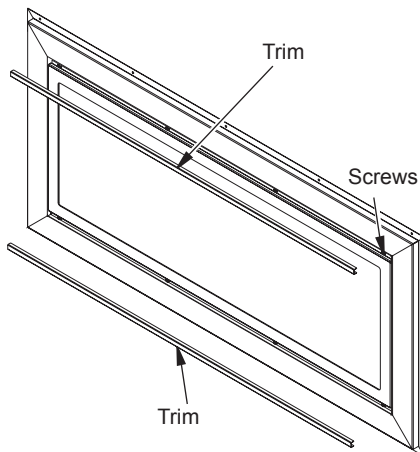


Figure 11 - Removing Exterior Glass Door for Cleaning

REPLACEMENT PARTS

Note: Use only original replacement parts. This will protect your warranty coverage for parts replaced under warranty.

Contact authorized dealers of this product. If they can't supply original replacement part(s), call FMI PRODUCTS, LLC at 1-866-328-4537.

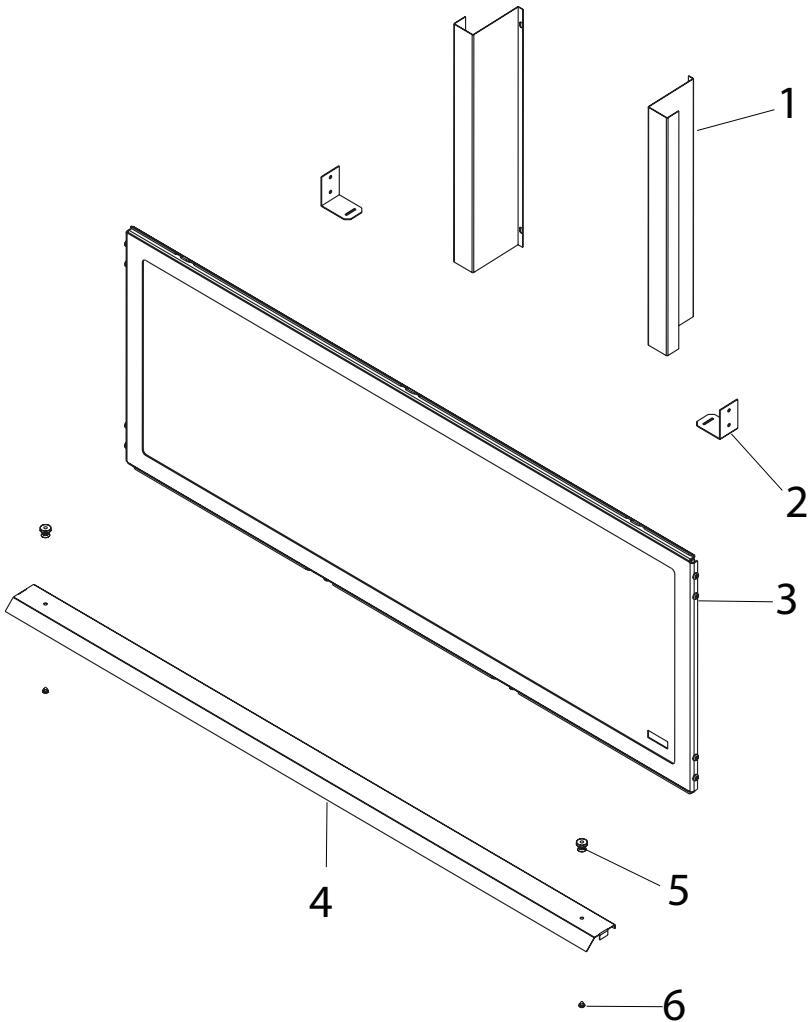
When calling, have ready:

- your name
- your address
- model number
- how part was malfunctioning
- purchase date

Usually, we will ask you to return the part to the factory.

PARTS

MODELS LDSTI

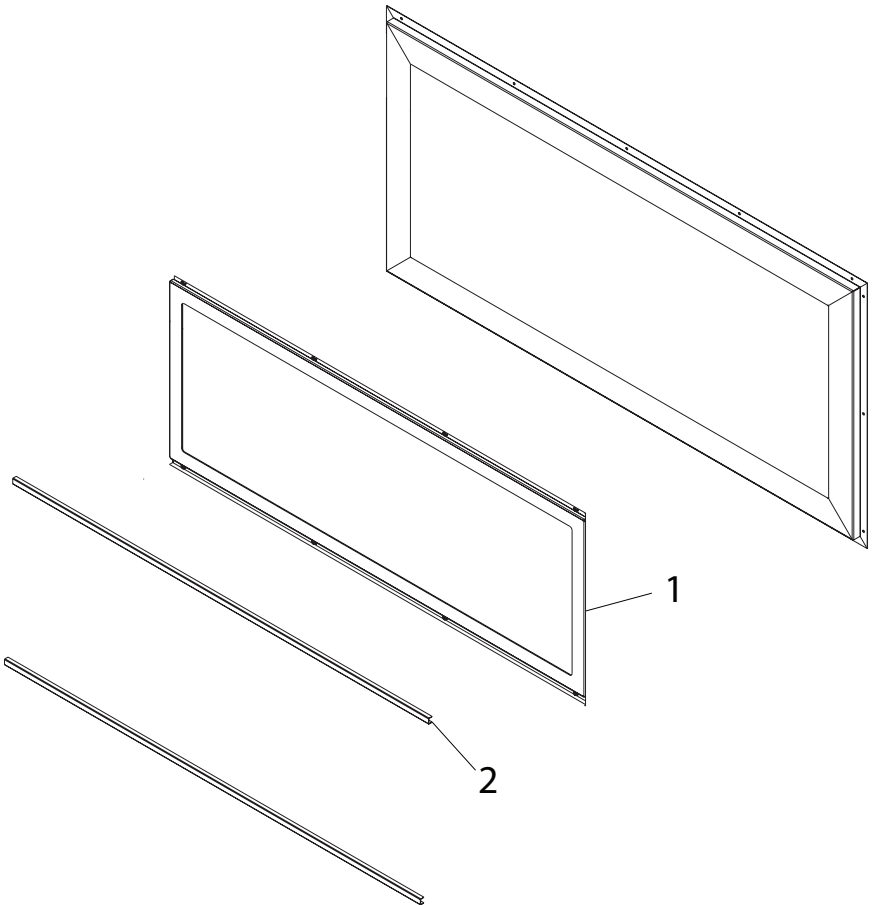


KEY

| NO. | PART NO. | DESCRIPTION | QTY. |
|-----|-----------|--------------------------------|------|
| 1 | 125766-01 | Side Face Filler | 2 |
| 2 | 125767-01 | Access Cover Retaining Bracket | 2 |
| 3 | 125741-01 | Ceramic Door Assembly | 1 |
| 4 | 125879-01 | Access Door Assembly | 1 |
| 5 | 17318 | Knob | 2 |
| 6 | 11110 | Screw, #8-31 X 1/4 PPH | 2 |

PARTS

MODELS LDSTO



KEY

| NO. | PART NO. | DESCRIPTION | QTY. |
|-----|-----------|-------------------------|------|
| 1 | 125871-01 | Assy, Exterior Door | 1 |
| 2 | 125927-01 | Trim, Filler Top/Bottom | 2 |

WARRANTY

KEEP THIS WARRANTY

Model (located on product or identification tag) _____

Serial No. (located on product or identification tag) _____

Date Purchased _____

Keep receipt for warranty verification.

FMI PRODUCTS, LLC LIMITED WARRANTIES

New Products

Standard Warranty: FMI PRODUCTS, LLC warrants this new product and any parts thereof to be free from defects in material and workmanship for a period of one (1) years from the date of first purchase from an authorized dealer provided the product has been installed, maintained and operated in accordance with FMI PRODUCTS, LLC's warnings and instructions.

For products purchased for commercial, industrial or rental usage, this warranty is limited to 90 days from the date of first purchase.

Factory Reconditioned Products

Limited Warranty: FMI PRODUCTS, LLC warrants factory reconditioned products and any parts thereof to be free from defects in material and workmanship for 30 days from the date of first purchase from an authorized dealer provided the product has been installed, maintained and operated in accordance with FMI PRODUCTS, LLC's warnings and instructions.

Terms Common to All Warranties

The following terms apply to all of the above warranties:

Always specify model number and serial number when contacting the manufacturer. To make a claim under this warranty the bill of sale or other proof of purchase must be presented.

This warranty is extended only to the original retail purchaser when purchased from an authorized dealer, and only when installed by a qualified installer in accordance with all local codes and instructions furnished with this product.

This warranty covers the cost of part(s) required to restore this product to proper operating condition and an allowance for labor when provided by a FMI PRODUCTS, LLC Authorized Service Center or a provider approved by FMI PRODUCTS, LLC. Warranty parts must be obtained through authorized dealers of this product and/or FMI PRODUCTS, LLC who will provide original factory replacement parts. Failure to use original factory replacement parts voids this warranty.

Travel, handling, transportation, diagnostic, material, labor and incidental costs associated with warranty repairs, unless expressly covered by this warranty, are not reimbursable under this warranty and are the responsibility of the owner.

Excluded from this warranty are products or parts that fail or become damaged due to misuse, accidents, improper installation, lack of proper maintenance, tampering, or alteration(s).

This is FMI PRODUCTS, LLC's exclusive warranty, and to the full extent allowed by law; this express warranty excludes any and all other warranties, express or implied, written or verbal and limits the duration of any and all implied warranties, including warranties of merchantability and fitness for a particular purpose to one (1) years on new products and 30 days on factory reconditioned products from the date of first purchase. FMI PRODUCTS, LLC makes no other warranties regarding this product.

FMI PRODUCTS, LLC's liability is limited to the purchase price of the product, and FMI PRODUCTS, LLC shall not be liable for any other damages whatsoever under any circumstances including indirect, incidental, or consequential damages.

Some states do not allow limitations on how long an implied warranty lasts or the exclusion or limitation of incidental or consequential damages, so the above limitation or exclusion may not apply to you.

This warranty gives you specific legal rights, and you may also have other rights which vary from state to state.

For information about this warranty contact:


FMI PRODUCTS, LLC
2701 S. Harbor Blvd.
Santa Ana, CA 92704
1-866-328-4537
www.fmiproducts.com

125955-01
Rev. A
07/11