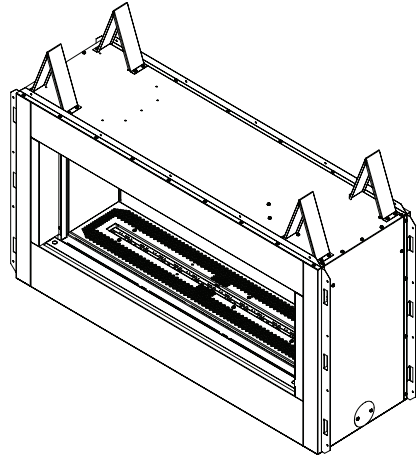




UNVENTED (VENT-FREE) GAS FIREPLACE OWNER'S OPERATION AND INSTALLATION MANUAL



We recommend that our gas hearth products be installed and serviced by professionals who are certified in the U.S. by the National Fireplace Institute® (NFI) as NFI Gas Specialists.



MODELS (V)LVF43NR AND (V)LVF43PR

⚠ WARNING: If the information in this manual is not followed exactly, a fire or explosion may result causing property damage, personal injury or loss of life.

- Do not store or use gasoline or other flammable vapors and liquids in the vicinity of this or any other appliance.
- **WHAT TO DO IF YOU SMELL GAS**
 - Do not try to light any appliance.
 - Do not touch any electrical switch; do not use any phone in your building.
 - Immediately call your gas supplier from a neighbor's phone. Follow the gas supplier's instructions.
 - If you cannot reach your gas supplier, call the fire department.
- Installation and service must be performed by a qualified installer, service agency or the gas supplier.

INSTALLER: Leave this manual with the appliance.
CONSUMER: Retain this manual for future reference.

TABLE OF CONTENTS

Safety	2	Inspecting Burners.....	25
Product Identification	4	Wiring Diagram	26
Local Codes.....	4	Troubleshooting	27
Unpacking.....	5	Specifications	30
Product Features	5	Technical Service	30
Air for Combustion and Ventilation	5	Replacement Parts	30
Installation	8	Service Hints	30
Operation	20	Accessories	31
Cleaning and Maintenance.....	24	Parts	32
		Warranty	Back Cover

SAFETY

⚠ WARNING: Improper installation, adjustment, alteration, service or maintenance can cause injury or property damage. Refer to this manual for correct installation and operational procedures. For assistance or additional information consult a qualified installer, service agency or the gas supplier.

This appliance may be installed in an aftermarket,* permanently located, manufactured (mobile) home, where not prohibited by local codes.

This appliance is only for use with the type of gas indicated on the rating plate. This appliance is not convertible for use with other gases.

* Aftermarket: Completion of sale, not for purpose of resale, from the manufacturer

⚠ WARNING: This is an unvented gas-fired heater. It uses air (oxygen) from the room in which it is installed. Provisions for adequate combustion and ventilation air must be provided. Refer to *Air for Combustion and Ventilation* section on page 5 of this manual.

⚠ WARNING: This product contains and/or generates chemicals known to the State of California to cause cancer or birth defects or other reproductive harm.

IMPORTANT: Read this owner's manual carefully and completely before trying to assemble, operate or service this heater. Improper use of this heater can cause serious injury or death from burns, fire, explosion, electrical shock and carbon monoxide poisoning.

SAFETY

Continued

⚠ DANGER: Carbon monoxide poisoning may lead to death!

Carbon Monoxide Poisoning: Early signs of carbon monoxide poisoning resemble the flu, with headaches, dizziness or nausea. If you have these signs, the heater may not be working properly. **Get fresh air at once!** Have heater serviced. Some people are more affected by carbon monoxide than others. These include pregnant women, people with heart or lung disease or anemia, those under the influence of alcohol and those at high altitudes.

Natural and Propane/LP Gas: Natural and propane/LP gases are odorless. An odor-making agent is added to the gas. The odor helps you detect a gas leak. However, the odor added to the gas can fade. Gas may be present even though no odor exists.

Make certain you read and understand all warnings. Keep this manual for reference. It is your guide to safe and proper operation of this heater.

⚠ WARNING: Any change to this heater or its controls can be dangerous.

⚠ WARNING: Do not allow fans to blow directly into the fireplace. Avoid any drafts that alter burner flame patterns. Ceiling fans can create drafts that alter burner flame patterns. Altered burner patterns can cause sooting.

⚠ WARNING: Do not use a blower insert, heat exchanger insert or other accessory not approved for use with this heater.

Due to high temperatures, the appliance should be located out of traffic and away from furniture and draperies.

Do not place clothing or other flammable material on or near the appliance. Never place any objects on the heater.

Fireplace become very hot when running fireplace. Keep children and adults away from hot surfaces to avoid burns or clothing ignition. Fireplace will remain hot for a time after shutdown. Allow surfaces to cool before touching.

Carefully supervise young children when they are in the room with fireplace. When using the remote control, keep selector switch in the OFF position to prevent children from turning on burners with remote.

Keep the appliance area clear and free from combustible materials, gasoline and other flammable vapors and liquids.

1. This appliance is only for use with the type of gas indicated on the rating plate. This appliance is not convertible for use with other gases.
2. Do not place propane/LP supply tank(s) inside any structure. Locate propane/LP supply tank(s) outdoors (propane/LP units only).
3. If you smell gas
 - shut off gas supply
 - do not try to light any appliance
 - do not touch any electrical switch; do not use any phone in your building
 - immediately call your gas supplier from a neighbor's phone. Follow the gas supplier's instructions
 - if you cannot reach your gas supplier, call the fire department
4. This fireplace shall not be installed in a bedroom or bathroom.

SAFETY

Continued

5. Do not use this fireplace as a wood-burning fireplace. Use only high temperature pebbles.
6. To prevent the creation of soot, follow the instructions in Cleaning and Maintenance, page 24.
7. Before using furniture polish, wax, carpet cleaner or similar products, turn heater off. If heated, the vapors from these products may create a white powder residue within burner box or on adjacent walls or furniture.
8. This fireplace needs fresh air ventilation to run properly. This fireplace has an Oxygen Depletion Sensing (ODS) safety shutoff system. The ODS shuts down the fireplace if enough fresh air is not available. See Air for Combustion and Ventilation, page 6. If fireplace keeps shutting off, see Troubleshooting, page 27.
9. Do not run fireplace
 - where flammable liquids or vapors are used or stored
 - under dusty conditions
10. Do not use this fireplace to cook food or burn paper or other objects.
11. Do not use fireplace if any part has been exposed to or under water. Immediately call a qualified service technician to inspect the fireplace and to replace any part of the control system and any gas control which has been under water.
12. Turn fireplace off and let cool before servicing. Only a qualified service person should service and repair fireplace.
13. Operating fireplace above elevations of 4,500 feet could cause pilot outage.
14. To prevent performance problems in propane/LP units, do not use propane/LP fuel tanks of less than 100 lbs. capacity (propane/LP units only).
15. Provide adequate clearances around air openings.

LOCAL CODES

Install and use fireplace with care. Follow all local codes. In the absence of local codes, use the latest edition of *The National Fuel Gas Code ANSI Z223.1/NFPA 54**.

*Available from:

American National Standards Institute, Inc.
1430 Broadway
New York, NY 10018

National Fire Protection Association, Inc.
Batterymarch Park
Quincy, MA 02269

State of Massachusetts: The installation must be made by a licensed plumber or gas fitter in the Commonwealth of Massachusetts.

Sellers of unvented propane or natural gas-fired supplemental room heaters shall provide to each purchaser a copy of 527 CMR 30 upon sale of the unit.

Vent-free gas products are prohibited for bedroom and bathroom installation in the Commonwealth of Massachusetts.

PRODUCT IDENTIFICATION

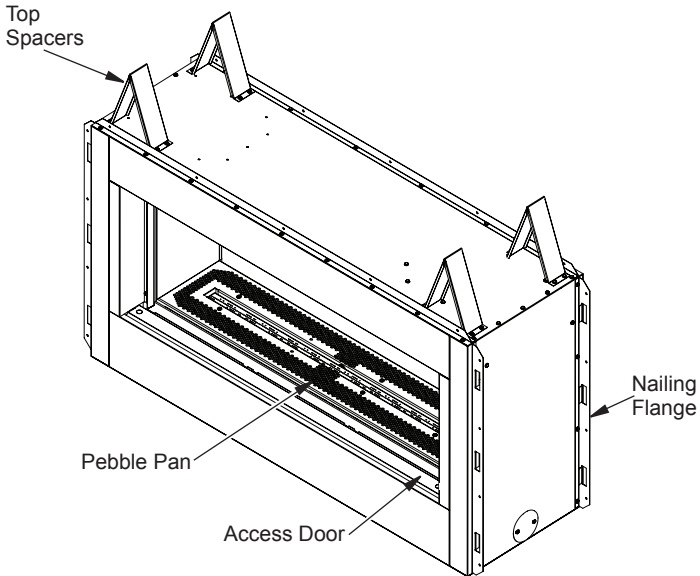


Figure 1 - Vent Free Linear Fireplace

PRODUCT FEATURES

OPERATION

This vent-free fireplace is clean burning. It requires no outside venting. There is no heat loss out a vent or up a chimney. Heat is generated by both realistic flames. This heater is designed for vent-free operation. It has been tested and approved to ANSI Z21.11.2 standard for unvented heaters. State and local codes in some areas prohibit the use of vent-free heaters.

SAFETY DEVICE

This fireplace has a pilot with an Oxygen Depletion Sensing (ODS) safety shutoff system. The ODS/pilot is a required feature for vent-free room heaters. The ODS/pilot system shuts off the fireplace if there is not enough fresh air.

AIR FOR COMBUSTION AND VENTILATION

⚠ WARNING: This heater shall not be installed in a room or space unless the required volume of indoor combustion air is provided by the method described in the *National Fuel Gas Code, ANSI Z223.1/NFPA 54, the International Fuel Gas Code, or applicable local codes. Read the following instructions to insure proper fresh air for this and other fuel-burning appliances in your home.*

Today's homes are built more energy efficient than ever. New materials, increased insulation and new construction methods help reduce heat loss in homes. Home owners weather strip and caulk around windows and doors to keep the cold air out and the warm air in. During heating months, home owners want their homes as airtight as possible.

While it is good to make your home energy efficient, your home needs to breathe. Fresh air must enter your home. All fuel-burning appliances need fresh air for proper combustion and ventilation.

Exhaust fans, fireplaces, clothes dryers and fuel burning appliances draw air from the house to operate. You must provide adequate fresh air for these appliances. This will insure proper venting of vented fuel-burning appliances.

PROVIDING ADEQUATE VENTILATION

The following are excerpts from *National Fuel Gas Code, ANSI Z223.1/NFPA 54, Air for Combustion and Ventilation*.

All spaces in homes fall into one of the three following ventilation classifications:

1. Unusually Tight Construction
2. Unconfined Space
3. Confined Space

The information on pages 5 through 7 will help you classify your space and provide adequate ventilation.

Unusually Tight Construction

The air that leaks around doors and windows may provide enough fresh air for combustion and ventilation. However, in buildings of unusually tight construction, you must provide additional fresh air.

Unusually tight construction is defined as construction where:

- a. walls and ceilings exposed to the outside atmosphere have a continuous water vapor retarder with a rating of one perm (6×10^{-11} kg per pa-sec- m^2) or less with openings gasketed or sealed and
- b. weather stripping has been added on openable windows and doors and
- c. caulking or sealants are applied to areas such as joints around window and door frames, between sole plates and floors, between wall-ceiling joints, between wall panels, at penetrations for plumbing, electrical and gas lines and at other openings.

If your home meets all of the three criteria above, you must provide additional fresh air. See [Ventilation Air From Outdoors](#), page 8.

If your home does not meet all of the three criteria above, proceed to [Determining Fresh-Air Flow For Heater Location](#).

Confined and Unconfined Space

The National Fuel Gas Code, ANSI Z223.1/NFPA 54 defines a confined space as a space whose volume is less than 50 cubic feet per 1,000 Btu per hour (4.8 m^3 per kw) of the aggregate input rating of all appliances installed in that space and an unconfined space as a space whose volume is not less than 50 cubic feet per 1,000 Btu per hour (4.8 m^3 per kw) of the aggregate input rating of all appliances installed in that space. Rooms communicating directly with the space in which the appliances are installed*, through openings not furnished with doors, are considered a part of the unconfined space.

* Adjoining rooms are communicating only if there are doorless passageways or ventilation grills between them.

AIR FOR COMBUSTION AND VENTILATION

Continued

DETERMINING FRESH-AIR FLOW FOR FIREPLACE LOCATION

Determining if You Have a Confined or Unconfined Space

Use this work sheet to determine if you have a confined or unconfined space.

Space: Includes the room in which you will install fireplace plus any adjoining rooms with doorless passageways or ventilation grills between the rooms.

1. Determine the volume of the space (length x width x height).

Length x Width x Height = _____ cu. ft.
(volume of space)

Example: Space size 20 ft. (length) x 16 ft. (width) x 8 ft. (ceiling height) = 2,560 cu. ft. (volume of space)

If additional ventilation to adjoining room is supplied with grills or openings, add the volume of these rooms to the total volume of the space.

2. Multiply the space volume by 20 to determine the maximum Btu/Hr the space can support.

_____ (volume of space) x 20 = (Maximum Btu/Hr the space can support)

Example: 2,560 cu. ft. (volume of space) x 20 = 51,200 (maximum Btu/Hr the space can support)

3. Add the Btu/Hr of all fuel burning appliances in the space.

Vent-free fireplace	_____	Btu/Hr
Gas water heater*	_____	Btu/Hr
Gas furnace	_____	Btu/Hr
Vented gas heater	_____	Btu/Hr
Gas fireplace logs	_____	Btu/Hr
Other gas appliances* +	_____	Btu/Hr
Total	= _____	Btu/Hr

* Do not include direct-vent gas appliances. Direct-vent draws combustion air from the outdoors and vents to the outdoors.

Example:

Gas water heater	_____	40,000	Btu/Hr
Vent-free fireplace	+ _____	33,000	Btu/Hr
Total	= _____	73,000	Btu/Hr

4. Compare the maximum Btu/Hr the space can support with the actual amount of Btu/Hr used.

_____ Btu/Hr (maximum the space can support)

_____ Btu/Hr (actual amount of Btu/Hr used)

Example: 51,200 Btu/Hr (maximum the space can support)

73,000 Btu/Hr (actual amount of Btu/Hr used)

The space in the example is a confined space because the actual Btu/Hr used is more than the maximum Btu/Hr the space can support. You must provide additional fresh air. Your options are as follows:

- A. Rework worksheet, adding the space of an adjoining room. If the extra space provides an unconfined space, remove door to adjoining room or add ventilation grills between rooms. See Ventilation Air From Inside Building, page 8.
- B. Vent room directly to the outdoors. See Ventilation Air From Outdoors, page 8.
- C. Install a lower Btu/Hr fireplace, if lower Btu/Hr size makes room unconfined.

If the actual Btu/Hr used is less than the maximum Btu/Hr the space can support, the space is an unconfined space. You will need no additional fresh air ventilation.

⚠ WARNING: If the area in which the heater may be operated does not meet the required volume for indoor combustion air, combustion and ventilation air shall be provided by one of the methods described in the *National Fuel Gas Code, ANSI Z223.1/NFPA 54, the International Fuel Gas Code, or applicable local codes.*

AIR FOR COMBUSTION AND VENTILATION

Continued

VENTILATION AIR

Ventilation Air From Inside Building

This fresh air would come from an adjoining unconfined space. When ventilating to an adjoining unconfined space, you must provide two permanent openings: one within 12" of the ceiling and one within 12" of the floor on the wall connecting the two spaces (see options 1 and 2, Figure 2). You can also remove door into adjoining room (see option 3, Figure 2). Follow the *National Fuel Gas Code, ANSI Z223.1/NFPA 54, Air for Combustion and Ventilation* for required size of ventilation grills or ducts.

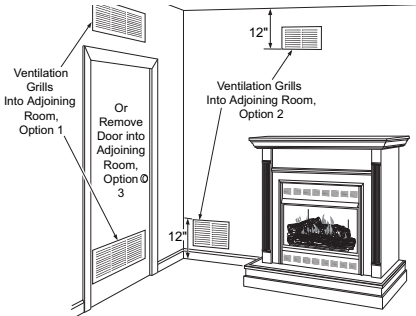


Figure 2 - Ventilation Air from Inside Building (Fireplace may differ from actual model)

Ventilation Air From Outdoors

Provide extra fresh air by using ventilation grills or ducts. You must provide two permanent openings: one within 12" of the ceiling and one within 12" of the floor. Connect these items directly to the outdoors or spaces open to the outdoors. These spaces include attics and crawl spaces. Follow the *National Fuel Gas Code, ANSI Z223.1/NFPA 54, Air for Combustion and Ventilation* for required size of ventilation grills or ducts.

IMPORTANT: Do not provide openings for inlet or outlet air into attic if attic has a thermostat-controlled power vent. Heated air entering the attic will activate the power vent.

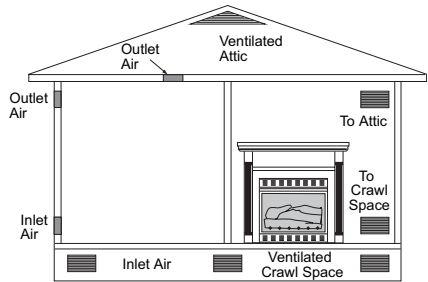


Figure 3 - Ventilation Air from Outdoors (Fireplace may differ from actual model)

INSTALLATION

NOTICE: This heater is intended for use as supplemental heat. Use this heater along with your primary heating system. Do not install this heater as your primary heat source. If you have a central heating system, you may run system's circulating blower while using heater. This will help circulate the heat throughout the house.

WARNING: A qualified service person must install fireplace. Follow all local codes.

WARNING: Never install the fireplace

- in a bedroom or bathroom
- in a recreational vehicle
- where curtains, furniture, clothing or other flammable objects are less than 36" from the front and 42" top of fireplace. For side clearances see Figure 7, page 10
- in high traffic areas
- in windy or drafty areas

INSTALLATION

Continued

⚠ CAUTION: This fireplace creates warm air currents. These currents move heat to wall surfaces next to fireplace. Installing fireplace next to vinyl or cloth wall coverings or operating heater where impurities (such as, but not limited to, tobacco smoke, aromatic candles, cleaning fluids, oil or kerosene lamps, etc.) in the air exist, may discolor walls or cause odors.

Note: Standoff spacers are attached to the sides and top of your fireplace, these spacers can be placed directly against wall or framing materials.

Use the dimensions shown for rough openings to create the easiest installation as shown in Figure 4 page 10.

IMPORTANT: Vent-free heaters add moisture to the air. Although this is beneficial, installing fireplace in rooms without enough ventilation air may cause mildew to form from too much moisture. See [Air for Combustion and Ventilation](#), page 6.

CHECK GAS TYPE

Use the correct gas type (natural or propane/LP) for your fireplace. If your gas supply is not correct, do not install fireplace. Call dealer where you bought fireplace for proper type fireplace.

⚠ WARNING: This appliance is equipped for either natural gas or propane/LP gas but not both. Gas type is indicated on the rating plate. Field conversion is not permitted.

INSTALLATION CLEARANCES

⚠ WARNING: Maintain the minimum clearances. If you can, provide greater clearances from floor, ceiling and adjoining wall.

Carefully follow the instructions below. This will ensure safe installation.

CLEARANCES

Minimum clearances to combustibles for the fireplace are as follows:

*Back and sides	1"
Perpendicular walls	8"
Floor (From bottom of Fireplace)	0"
Ceiling (From top of opening)	42"
Top of Standoffs	0"

* For back and sides of fireplace, do not pack with insulation or other materials.

FRAMING AND FINISHING

Figure 4 page 10 shows typical framing of this fireplace. Figure 5 page 10 shows framing for see-thru installation. All minimum clearances must be met. Steel framing may be necessary or wood studs may be notched. Concrete board is provided for facing around the fireplace as shown in Figure 6 page 10.

If you are using a separate combustible mantel piece, refer to Figure 7, page 10 for proper installation height. You can install noncombustible mantels at any height above the fireplace.

Note: Noncombustible mantels may discolor!

INSTALLATION

Continued

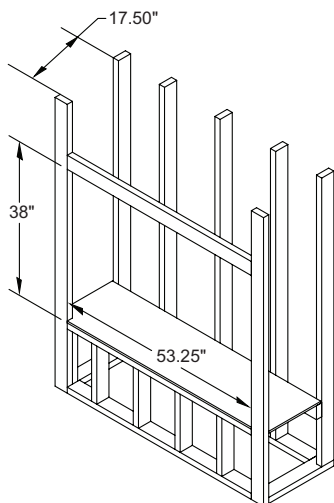


Figure 4 - Framing Clearances for One Sided Application

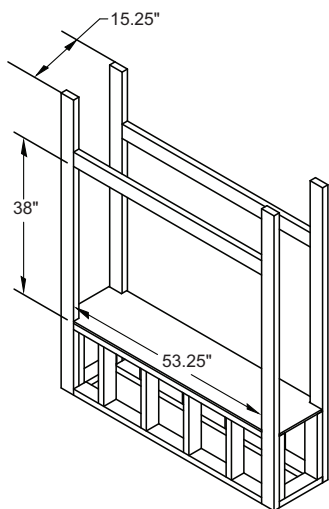


Figure 5 - Framing Clearances for See-Thru Application

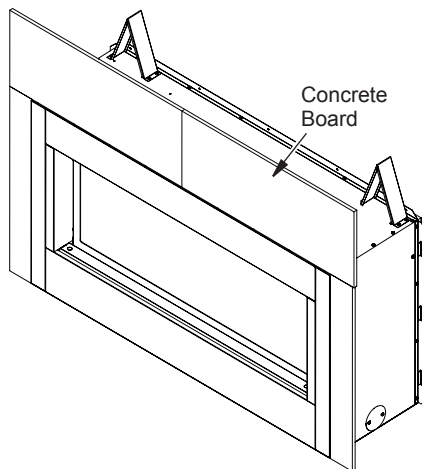


Figure 6 - Installing Concrete Board

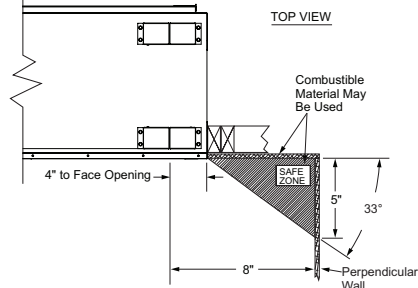
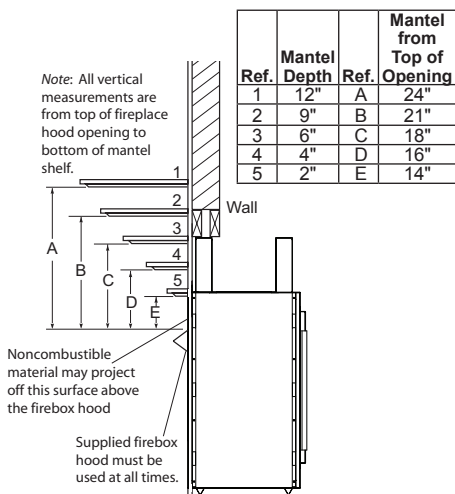


Figure 7 - Clearances for Combustible Mantels

INSTALLATION

Continued

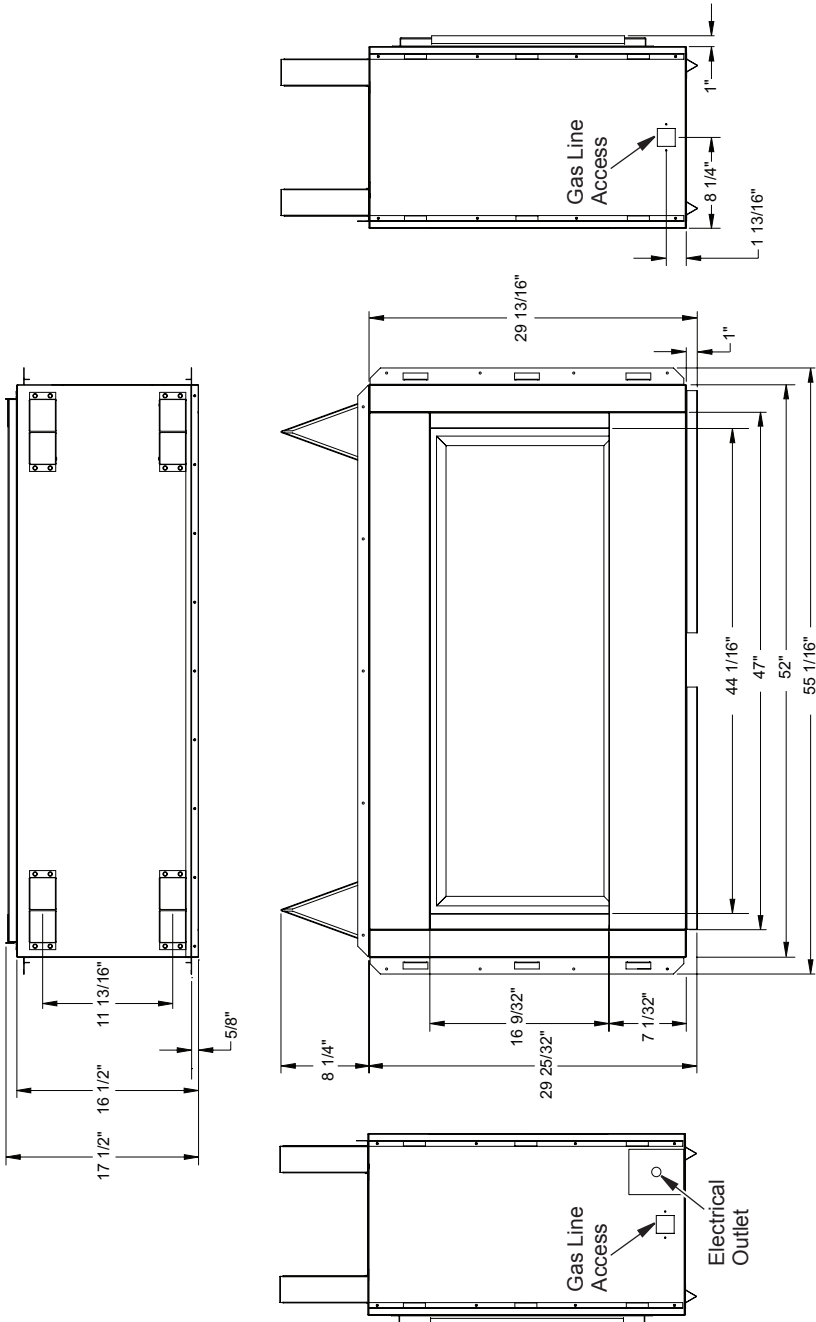


Figure 8 - (V)LVF43 Series Dimensions

INSTALLATION

Continued

Mantel Clearances for Built-In Installation

If placing mantel above built-in fireplace, you must meet minimum clearance between mantel shelf and top of fireplace opening.

NOTICE: If your installation does not meet the minimum clearances shown, you must do one of the following:

- raise the mantel to an acceptable height
- remove the mantel

NOTICE: Surface temperatures of adjacent walls and mantels become hot during operation. Walls and mantels above the firebox may become hot to the touch. If installed properly, these temperatures meet the requirement of the national product standard. Follow all minimum clearances shown in this manual.

ELECTRICAL WIRING INSTRUCTIONS

1. Remove electrical cover plate with bushing from left side of fireplace front by removing 2 sheet metal screws as shown in Figure 9.
2. Slide power source wiring through electrical bushing opening and electrical cover plate and make all necessary connections.
3. Slide all wiring connections in electrical housing as shown in Figure 9.
4. Secure electrical cover plate with screws previously removed.

Note: Electrical housing and cover plate have sharp edges. Wear protective gloves.

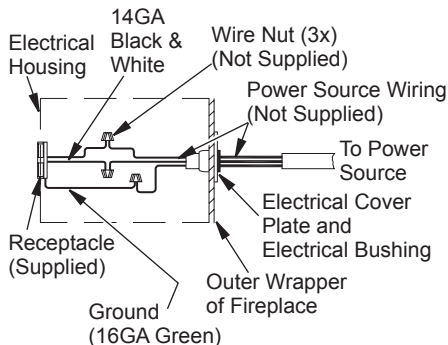
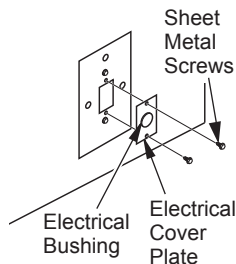


Figure 9 - Connecting Electricity

CHECK GAS TYPE

Use proper gas type for the fireplace unit you are installing. If you have conflicting gas types, do not install fireplace. See retailer where you purchased the fireplace for proper fireplace according to your gas type.

INSTALLING GAS PIPING TO FIREPLACE LOCATION

WARNING: A qualified service person must connect fireplace to gas supply. Follow all local codes.

CAUTION: Never connect propane/LP fireplace directly to the propane/LP supply. This fireplace requires an external regulator (not supplied). Install the external regulator between the fireplace and propane/LP supply.

INSTALLATION

Continued

⚠ WARNING: Never connect natural gas fireplace to private (non-utility) gas wells. This gas is commonly known as wellhead gas.

Installation Items Needed

Before installing fireplace, make sure you have the items listed below.

- external regulator for propane/LP unit only (supplied by installer)
- piping (check local codes)
- sealant (resistant to propane/LP gas)
- equipment shutoff valve *
- test gauge connection *
- sediment trap (optional)
- tee joint
- pipe wrench
- approved flexible gas line with gas connector (if allowed by local codes) (not provided)

* An equipment shutoff valve with 1/8" NPT tap is an acceptable alternative to test gauge connection. Purchase the optional equipment shutoff valve from your dealer.

For propane/LP units, the installer must supply an external regulator. The external regulator will reduce incoming gas pressure. You must reduce incoming gas pressure to between 11" and 14" of water. If you do not reduce incoming gas pressure, heater regulator damage could occur. Install external regulator with the vent pointing down as shown in Figure 10. Pointing the vent down protects it from freezing rain or sleet.

⚠ CAUTION: Use only new, black iron or steel pipe. Internally-tinned copper tubing may be used in certain areas. Check your local codes. Use pipe of 1/2" diameter or greater to allow proper gas volume to fireplace. If pipe is too small, undue loss of volume will occur.

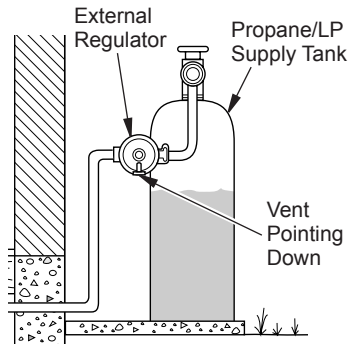


Figure 10 - External Regulator on Propane/LP Supply Tank with Vent Pointing Down

Installation must include an equipment shutoff valve, union and plugged 1/8" NPT tap. Locate NPT tap within reach for test gauge hook up. NPT tap must be upstream from fireplace (see Figure 10).

IMPORTANT: Install equipment shutoff valve in an accessible location. The equipment shutoff valve is for turning on or shutting off the gas to the appliance.

Check your building codes for any special requirements for locating equipment shutoff valve to fireplaces.

Apply pipe joint sealant lightly to male NPT threads. This will prevent excess sealant from going into pipe. Excess sealant in pipe could result in clogged fireplace valves. Never use sealant on flare threads.

⚠ WARNING: Use pipe joint sealant that is resistant to liquid petroleum (LP) gas.

We recommend that you install a sediment trap in supply line as shown in Figure 11, page 14. Locate sediment trap where it is within reach for cleaning. Install in piping system between fuel supply and fireplace. Locate sediment trap where trapped matter is not likely to freeze. A sediment trap traps moisture and contaminants. This keeps them from going into fireplace gas controls. If sediment trap is not installed or is installed wrong, fireplace may not run properly.

INSTALLATION

Continued

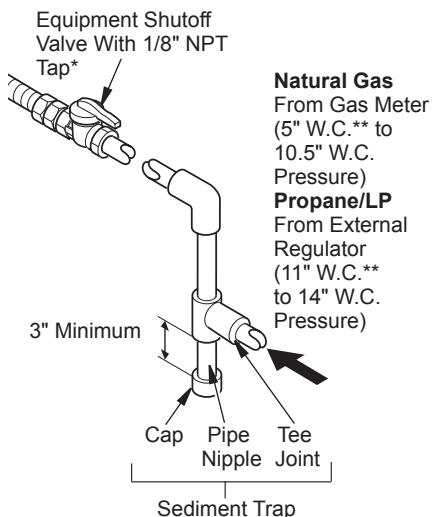


Figure 11 - Gas Connection

* Purchase the optional equipment shutoff valve from your dealer.

** Minimum inlet pressure for purpose of input adjustment.

CONNECTING FIREPLACE TO GAS SUPPLY

Installation Items Needed

- 5/16" hex socket wrench or nut-driver
- sealant (resistant to propane/LP gas, not provided)

1. Route flexible gas line (provided by installer) from equipment shutoff valve to fireplace. Route flexible gas supply line through one of the access holes on side of fireplace.
2. Attach flexible gas line from gas supply to control valve (see Figure 12).
3. Check all gas connections for leaks. See [Checking Gas Connections](#), page 19.

CHECKING GAS CONNECTIONS

WARNING: Test all gas piping and connections, internal and external to unit, for leaks after installing or servicing. Correct all leaks at once.

WARNING: Never use an open flame to check for a leak. Apply a noncorrosive leak detection fluid to all joints. Bubbles forming show a leak. Correct all leaks at once.

CAUTION: Make sure external regulator has been installed between propane/LP supply and fireplace. See guidelines under [Connecting Fireplace to Gas Supply](#), page 15.

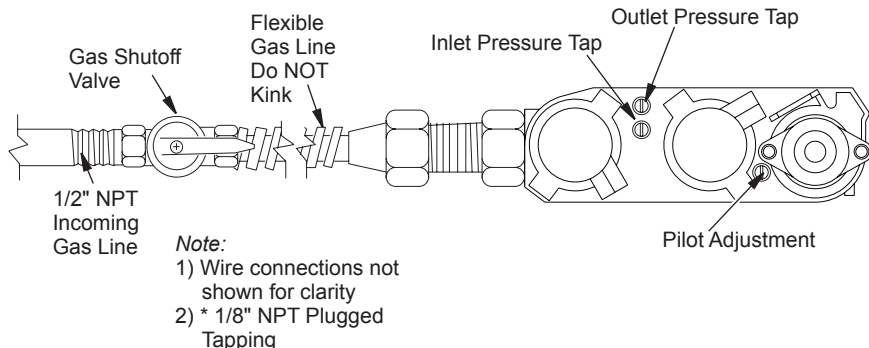


Figure 12 - Connecting Incoming Gas Line to Flex Gas Line

INSTALLATION

Continued

PRESSURE TESTING GAS SUPPLY PIPING SYSTEM

Test Pressures In Excess Of 1/2 PSIG (3.5 kPa)

1. Disconnect fireplace with its appliance main gas valve (control valve) and equipment shutoff valve from gas supply piping system. Pressures in excess of 1/2 psig will damage fireplace regulator.
2. Cap off open end of gas pipe where equipment shutoff valve was connected.
3. Pressurize supply piping system by either opening propane/LP supply tank valve for propane/LP gas or opening main gas valve located on or near gas meter for natural gas or using compressed air.
4. Check all joints of gas supply piping system. Apply noncorrosive leak detection fluid to all joints. Bubbles forming show a leak.
5. Correct all leaks at once.
6. Reconnect fireplace and equipment shutoff valve to gas supply. Check reconnected fittings for leaks.

Test Pressures Equal To or Less Than 1/2 PSIG (3.5 kPa)

1. Close equipment shutoff valve (see Figure 13).
2. Pressurize supply piping system by either opening propane/LP supply tank valve for propane/LP gas or opening main gas valve located on or near gas meter for natural gas or using compressed air.
3. Check all joints from gas meter to equipment shutoff valve for natural gas or propane/LP supply to equipment shutoff valve for propane/LP (see Figures 14 or 15). Apply noncorrosive leak detection fluid to all joints. Bubbles forming show a leak.
4. Correct all leaks at once.

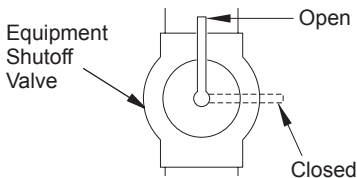


Figure 13 - Equipment Shutoff Valve

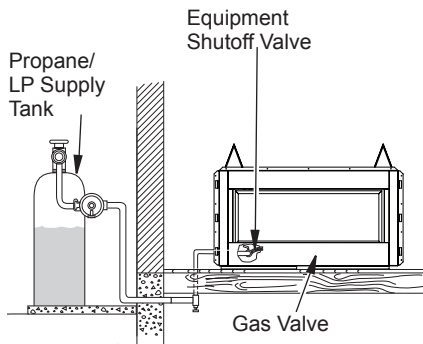


Figure 14 - Checking Gas Joints for Propane/LP Gas Fireplace

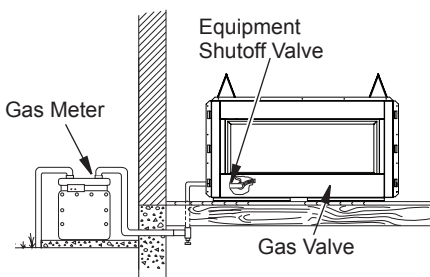


Figure 15 - Checking Gas Joints for Natural Gas Fireplace

PRESSURE TESTING FIREPLACE GAS CONNECTIONS

1. Open equipment shutoff valve (see Figure 13).
2. Open main gas valve located on or near gas meter for natural gas or open propane/LP supply tank valve.
3. Make sure control knob of fireplace is in the OFF position.
4. Check all joints from equipment shutoff valve to gas control valve (see Figures 14 or 15). Apply noncorrosive leak detection fluid to all joints. Bubbles forming show a leak.
5. Correct all leaks at once.
6. Light fireplace (see *Operation*, page 20). Check all other internal joints for leaks.
7. Turn off fireplace (see *To Turn Off Gas to Appliance*, page 21).

INSTALLATION

Continued

FINISHING FIREPLACE FOR INSTALLATION

(V)LVF43 series fireplace come with the rear panel semi-installed. If you will be using the fireplace for a one sided regular application, you will need to finish the installation of the rear panel. If you will be upgrading the fireplace to a see-thru, the rear panel will need to be removed (See [Upgrading \(V\)LVF43 Series to See-Thru Application](#)).

1. Using self-tapping screws provided and holes on rear panel as a guide, screw the rear panel to the fireplace as shown in Figure 16.

INSTALLING HOOD

1. Loosen screws at top of face opening and slide hood through screws as shown in Figure 17.
2. Tighten screws securing hood to fireplace.

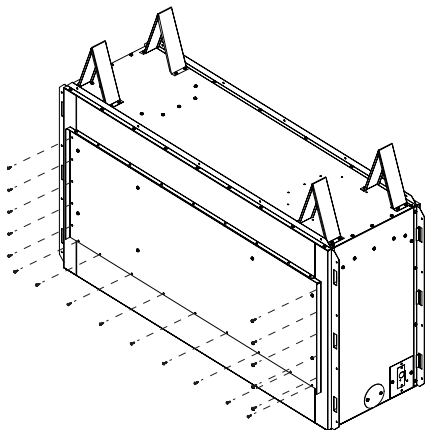


Figure 16 - Installing Rear Panel for Regular Applications

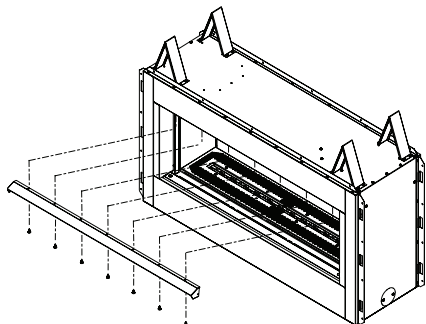


Figure 17 - Installing Hood

UPGRADING (V)LVF43 TO SEE-THRU APPLICATION

Removing Rear Panel

1. In the rear of the fireplace, locate screws at top of rear panel and remove as shown in Figure 18. Discard screws and rear panel.
2. Unscrew mount bracket from top face as shown in Figure 19. Discard mounting bracket and replace screws.

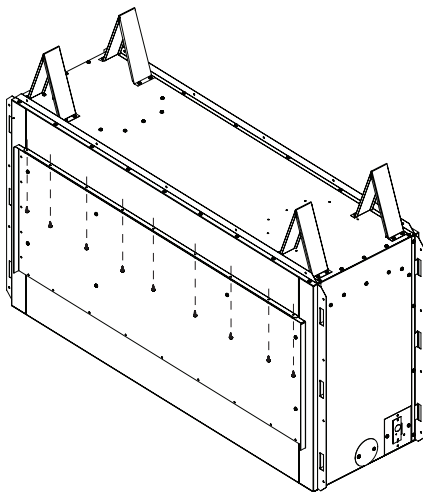


Figure 18 - Removing Rear Panel for See-Thru Applications

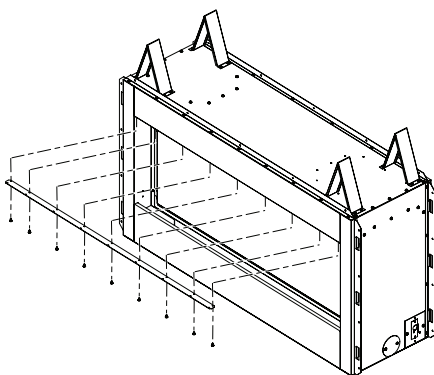


Figure 19 - Removing for See-Thru Applications

INSTALLATION

Continued

Removing False Door

1. In the rear of the fireplace, Unlock 3 door latches on top of firebox using your fingers or the latch opener provided.
2. Hook opener over latch as shown in Figure 20. Swing the bottom of the opener down toward the door. You will not need to pull down.
3. Tilt open false door 45° from the top of firebox and lift up to release door from retaining channel.

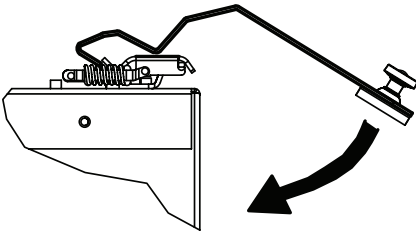


Figure 20 - Latch Opener

Removing Rear Interior Wall

1. Through firebox opening in the front of the fireplace, unscrew 4 corner brackets from the firebox top (See Figure 21).
2. Remove 2 side walls and then the rear wall. Discard rear wall.
3. Replace 2 side walls and reinstall the corner brackets.

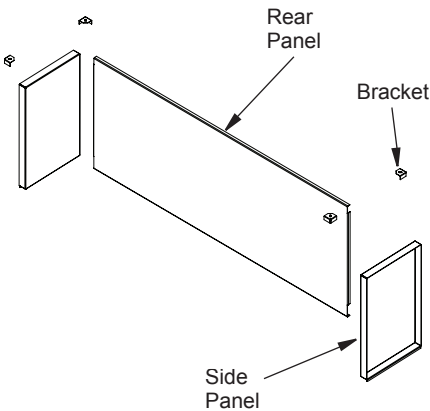


Figure 21 - Removing Rear Interior Wall for See-Thru Applications

Installing Access Door Retaining Brackets

1. Screw access door retaining brackets into the inner side face using 2 screws on both the left and right side as shown in Figure 22.

Installing Side Face Filler

1. Screw side face filler into firebox side baffle using 2 screws on both the left and right side as shown in Figure 23.

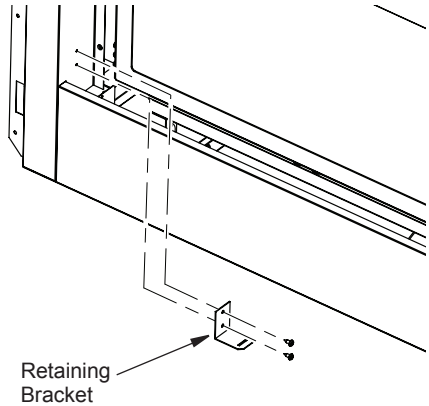


Figure 22 - Installing Access Door Retaining Brackets for See-Thru Applications

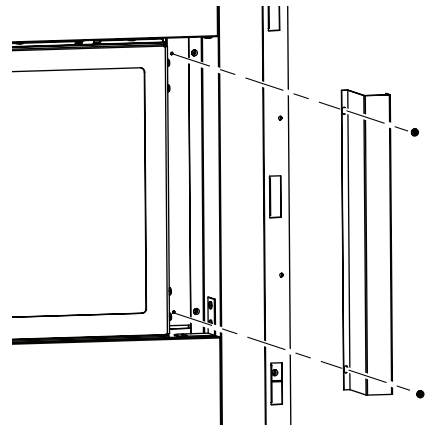


Figure 23 - Installing Side Face Filler for See-Thru Applications

INSTALLATION

Continued

Installing Access Door

1. Place access door into rectangular opening in front of the glass door with the slanted side facing forward. The slanted surface will slide underneath the flange of the bottom face. Insert tabs on side of access door into slots on retaining brackets (See Figure 24).

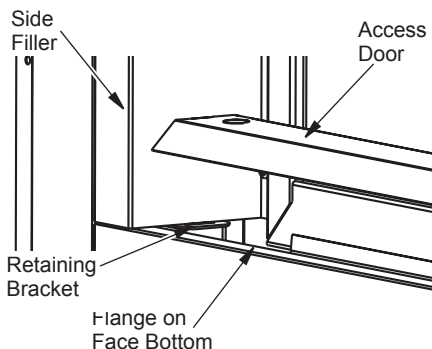


Figure 24 - Access Door for See-Thru Applications

Installing Hood

1. If required, install hood as shown on page 16.

INSTALLING BATTERIES IN REMOTE CONTROL AND RECEIVER

⚠ WARNING: Make sure your selector switch is in OFF position before installing or changing batteries in your hand-held remote or receiver.

Installing Battery into Remote

1. Remove battery housing cover from back of hand-held remote (See Figure 25).
2. Install 3 AAA batteries.
3. Replace battery housing cover.

When batteries are installed, the "little house" icon with current room temperature will be displayed (see Figure 25). This icon will always show in the control window as long as the batteries have power.

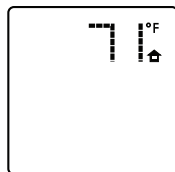


Figure 25 - Remote Display

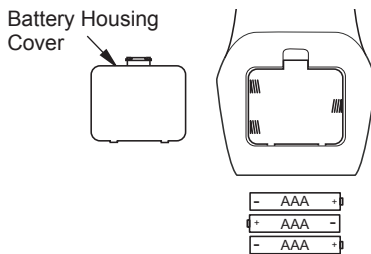


Figure 26 - Battery Install Hand-Held Remote Control

Locating Remote Receiver

1. Remove Access Plate (See Figure 24).
2. Remove 2 screws on top of the electronic access cover (See Figure 27).
3. Remove electronic access cover by gently pulling up and out of the fireplace. There are two switches connected to cover.
4. The remote receiver is located on the right as shown in Figure 28, page 19.

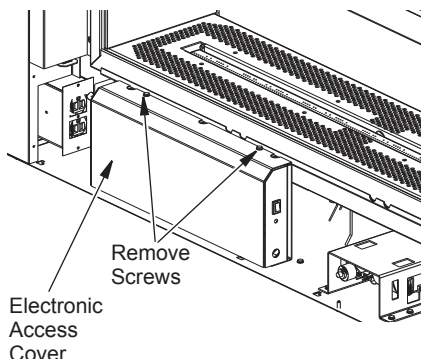


Figure 27 - Removing Control Access Cover (Face Bottom not shown for Clarity)

INSTALLATION

Continued

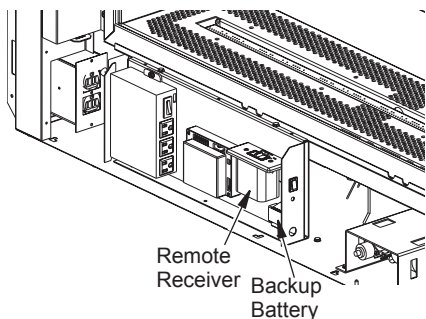


Figure 28 - Remote Receiver (Face Bottom not shown for Clarity)

Installing Battery into Remote Receiver

1. Remove screws from cover plate.
2. Remove battery housing cover.
3. Install 4 AA batteries.
5. Replace battery housing cover.
6. Replace cover plate.

Installing Cover Plate Onto Remote Receiver

1. Locate and remove cover plate from packaging.
2. Make sure sliding selector switch fits over switch on receiver.
3. Attach cover plate to receiver with 2 screws as shown in Figure 29.
4. See page 23 for instructions on programming remote receiver to hand-held remote control if needed.

Note: For hand-held remote control to work, programming (synchronizing) remote to receiver must be completed.

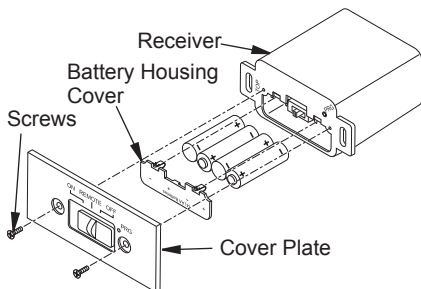


Figure 29 - Battery Install Remote Control Receiver

GLASS PEBBLE INSTALLATION

⚠ WARNING: Do not change or substitute glass pebbles provided with this fireplace. If replacing, use only replacement glass pebbles. See [Replacement Parts](#) page 32.

Clear glass pebbles are included with your fireplace.

1. Place glass pebbles in a single layer evenly on the pebble pan. Make sure not to place any on the burner in the center of the pebble pan.

OPERATION

FOR YOUR SAFETY READ BEFORE LIGHTING

⚠ WARNING: If you do not follow these instructions exactly, a fire or explosion may result causing property damage, personal injury or loss of life.

- A. This appliance is equipped with an ignition device which automatically lights the pilot. Do not light pilot by hand.
- B. **BEFORE LIGHTING** smell all around the appliance area for gas. Be sure to smell next to the floor because some gas is heavier than air and will settle on the floor.

WHAT TO DO IF YOU SMELL GAS

- Do not try to light any appliance.
 - Do not touch any electric switch; do not use any phone in your building.
 - Immediately call your gas supplier from a neighbor's phone. Follow the gas supplier's instructions.
 - If you cannot reach your gas supplier, call the fire department.
- C. Do not use this appliance if any part has been under water. Immediately call a qualified service technician to inspect the appliance and to replace any part of the control system and any gas control which has been under water.

LIGHTING INSTRUCTIONS

NOTICE: During initial operation of new heater, paint will give off a paper-burning smell. Orange flame will also be present. Open damper or window to vent smell. This will only last a few hours.

This appliance requires 120V electricity for normal operation. Control module should be plugged into electrical outlet located underneath firebox bottom. Back up battery supply is available for power outages.

1. STOP! Read the safety information, column 1.
2. Make sure equipment shutoff valve is fully open.
3. Turn safety shutoff switch to the OFF position.
4. Remove access cover.
5. Turn equipment shutoff valve clockwise ↻ to the OFF position (see Figure 30). Do not force.
6. Wait five (5) minutes to clear out any gas. Then smell for gas, including near the floor. If you smell gas, STOP! Follow "B" in the safety information. If you don't smell gas, go to the next step.
7. Turn equipment shutoff valve counter-clockwise ↺ to the ON position. Do not force.
8. Replace access cover.
9. Turn on all electric power to appliance.
10. Turn safety shutoff switch to the ON position.
11. Visually locate pilot. Ignitor should begin to spark and main burner should ignite once flame appears at pilot.
 - If lighting appliance for the first time each season, it may take several attempts before supply gas can reach pilot and main burners.
 - If appliance will not stay lit after several attempts, follow instructions under To Turn Off Gas To Appliance on page 21 and call your service technician or gas supplier.

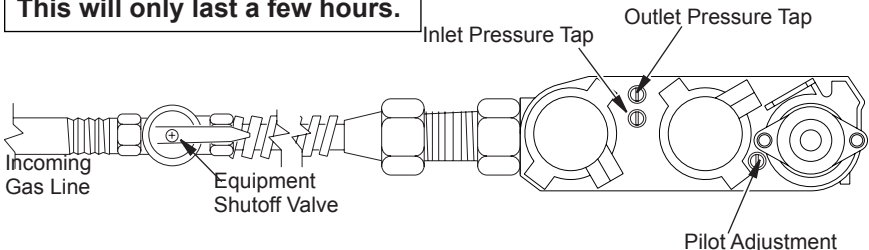



Figure 30 - Turning Equipment Shutoff Valve to the OFF Position

OPERATION

Continued

CAUTION: Do not try to adjust heating levels by using the equipment shutoff valve.

TO TURN OFF GAS TO APPLIANCE

1. Turn off safety shutoff switch.
2. Turn off all electric power to appliance if service is to be performed.
3. Remove center brick/control cover.
4. Turn equipment shutoff valve clockwise  to OFF. Do not force.
5. Replace access cover.

MANUAL LIGHTING PROCEDURE

1. Set the switch on the remote receiver to the ON position.
2. Turn pilot switch to the ON position.

HAND-HELD REMOTE OPERATION

BATTERIES

WARNING: Make sure your selector switch is in OFF position before installing or changing batteries in your hand-held remote or receiver.

For installing or replacing batteries in remote control or receiver, see *Installing Batteries in Remote Control and Receiver* on page 19.

Low Battery - Hand-Held Remote Control

When batteries in hand-held remote control are low, an icon will appear on display (see Figure 31).

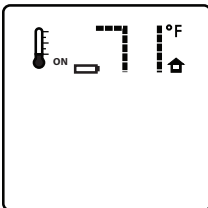


Figure 31 - Low Battery Display

Low Battery - Remote Receiver

When batteries in receiver are low, no "beep" will be admitted from the receiver when ON/OFF button is pressed. This is an alert for a low battery condition for the receiver. When the batteries are replaced the "beep" will be emitted from the receiver when the ON/OFF button is pressed.

FAHRENHEIT/CELSIUS INDICATOR

You can set your remote control to display the temperature in either Fahrenheit or Celsius. With remote control off, press Thermostat button and Mode button at the same time. This will toggle the display from °F to °C (See Figure 32).

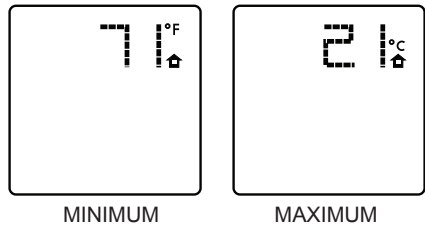


Figure 32 - Remote Control Display of Fahrenheit/Celsius

OPERATING REMOTE CONTROL

WARNING: Fireplace can turn on suddenly. Keep away from burner.

When any button is pushed on remote control, the LCD display will glow blue. The blue glow will go off after several seconds if no action is being taken with remote.

ON/OFF

Push ON/OFF button and burners will come on in high position (see Figure 33, page 22). A beep from the receiver confirms the command.

Push ON/OFF button again and burners will turn off. A beep from the receiver confirms the command.

OPERATION

Continued

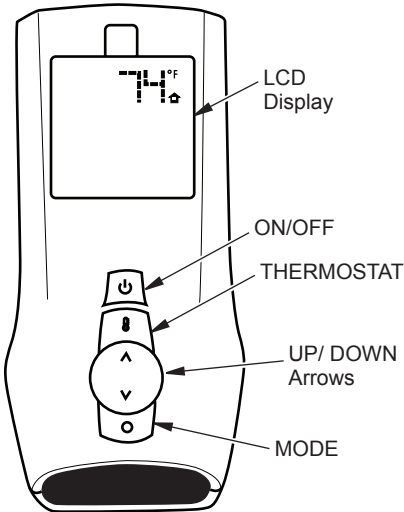


Figure 33 - Remote Control

ROOM THERMOSTAT

The remote control can operate as a room thermostat. The thermostat can be set to a desired temperature to control the comfort level in the room.

To activate, press THERMOSTAT button on remote control (see Figure 35). The word ON will appear to the right of temperature bulb graphic on display (see Figure 35). Use UP/DOWN arrow button to set desired room temperature. Control system will cycle fireplace on or off to maintain selected temperature.

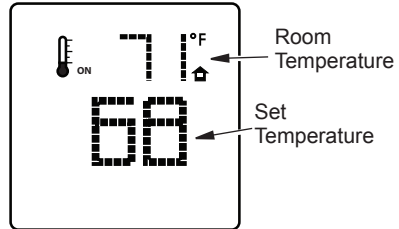


Figure 35 - Room Temperature Setting

FLAME HEIGHT

This function allows you to control the height of the flames through 6 levels. Select manual flame height function by pressing MODE button until a flame is shown in lower left corner of display. Use the UP/DOWN arrow button to set desired flame height. A beep from the receiver confirms the command.

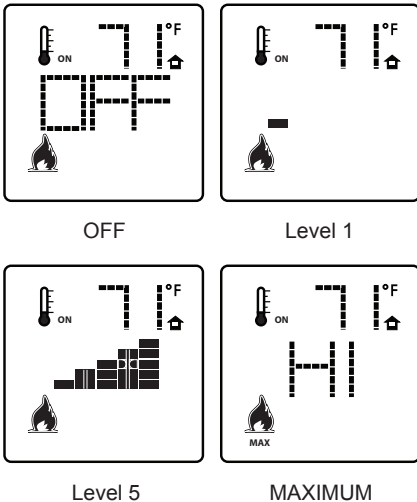


Figure 34 - Remote Control Display of Flame Height Minimum and Maximum

SMART THERMOSTAT

The Smart Thermostat adjusts flame height in accordance to differences between set temperature and room temperature. As room temperature gets closer to set temperature the smart function will modulate the flame lower. As room temperature cools, it will modulate the flame higher.

To activate this function, press THERMOSTAT button until the word SMART appears to the right of temperature bulb graphic on display. Use UP/DOWN arrow button to set desired room temperature. The control system will cycle the fireplace on or off to maintain selected temperature.

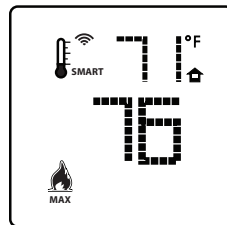


Figure 36 - Smart Thermostat Setting

OPERATION

Continued

CHILD SAFETY LOCK-OUT

This function lets you deactivate the remote control buttons. It is active when the lock icon is lit on the display.

To activate, press MODE button and UP arrow button at the same time. To deactivate, press again.

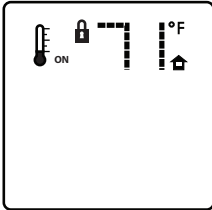


Figure 37 - Child Safety Lock-Out

PROGRAMMING REMOTE CONTROL TO RECEIVER

If your remote ever needs to be replaced you will not need to replace the receiver.

To program receiver with a new hand-held remote, insert a small pin or paper clip into hole on receiver face plate marked PRG. The receiver will beep 3 times to indicate it is ready to accept a new remote transmitter. Press the ON/OFF button on your remote and the receiver will beep 4 times to confirm it receives commands from the new remote.

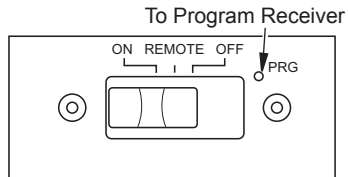


Figure 38 - Programming Remote Control to Receiver

CLEANING AND MAINTENANCE

⚠ WARNING: Turn off fireplace and let cool before cleaning.

⚠ CAUTION: You must keep control areas, burner and circulating air passageways of fireplace clean. Inspect these areas of fireplace before each use. Have fireplace inspected yearly by a qualified service person. Fireplace may need more frequent cleaning due to excessive lint from carpeting, bedding material, pet hair, etc.

⚠ WARNING: Failure to keep the primary air opening(s) of the burner(s) clean may result in sooting and property damage.

BURNER INJECTOR HOLDER AND PILOT AIR INLET HOLE

The primary air inlet holes allow the proper amount of air to mix with the gas. This provides a clean burning flame. Keep these holes clear of dust, dirt, lint and pet hair. Clean these air inlet holes prior to each heating season. Blocked air holes will create soot. We recommend that you clean the unit every three months during operation and have heater inspected yearly by a qualified service person.

We also recommend that you keep the burner tube and pilot assembly clean and free of dust and dirt. To clean these parts we recommend using compressed air no greater than 30 PSI. Your local computer store, hardware store or home center may carry compressed air in a can. If using compressed air in a can, please follow the directions on the can. If you don't follow directions on the can, you could damage the pilot assembly.

1. Shut off the unit, including the pilot. Allow the unit to cool for at least thirty minutes.
2. Inspect burner, air shutter and orifice for dust and dirt (see Figures 39 and 40).
3. Blow air through the ports/slots and holes in the burner.

4. Check the orifice located at the end of the burner tube again. Remove any large particles of dust, dirt, lint or pet hair with a soft cloth or vacuum cleaner nozzle.
5. Blow air into the primary air holes on the injector holder.
6. In case any large clumps of dust have now been pushed into the burner repeat steps 3 and 4 above.

Clean the pilot assembly also. A yellow tip on the pilot flame indicates dust and dirt in the pilot assembly. There is a small pilot air inlet hole on the pilot assembly (see Figure 40). With the unit off, lightly blow air through the air inlet hole. You may blow through a drinking straw if compressed air is not available.

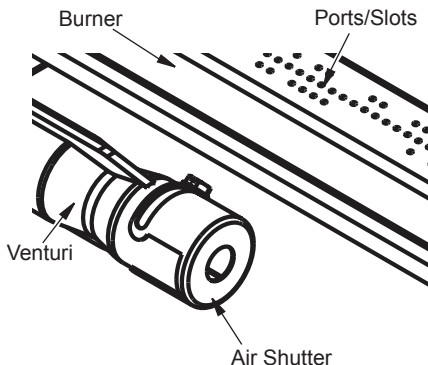


Figure 39 - Injector Holder On Outlet Burner Tube

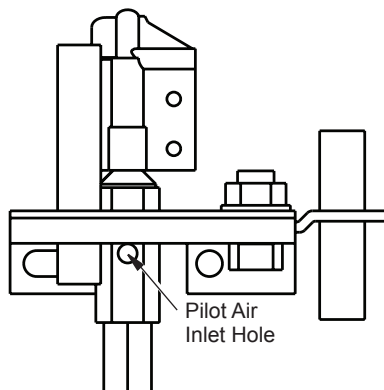


Figure 40 - Pilot Inlet Air Hole

INSPECTING BURNERS

Check pilot flame pattern and burner flame patterns often.

PILOT FLAME PATTERN

Figure 41 shows a correct pilot flame pattern. Figure 42 shows an incorrect pilot flame pattern. The incorrect pilot flame is not properly heating the sensing electrode and the heater will shut down.

If pilot flame pattern is incorrect, as shown in Figure 42

- turn heater off (see *To Turn Off Gas to Appliance*, page 21)
- see *Troubleshooting*, page 27

Note: The pilot flame on a natural gas units will have a slight curve, but flame should be blue and have no yellow or orange color.

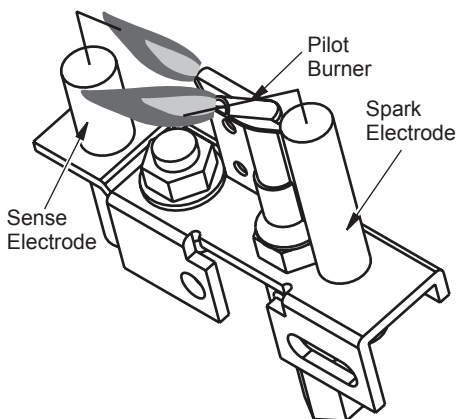


Figure 41 - Correct Pilot Flame Pattern

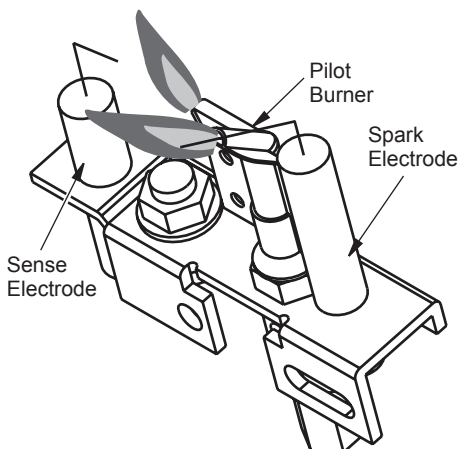


Figure 42 - Incorrect Pilot Flame Pattern

BURNER PRIMARY AIR HOLES

Air is drawn into the burner through the holes in the fitting at the burner entrance. These holes may become blocked with dust or lint. Periodically inspect these holes for any blockage and clean if needed. Blocked air holes will create soot.

MAIN BURNER

Periodically inspect all burner flame holes with the fireplace running. Some burner flame holes may become blocked by debris or rust, with no flame present. If so, turn off fireplace and let cool. Remove blockage. Blocked burner flame holes will create soot.

BURNER FLAME PATTERN

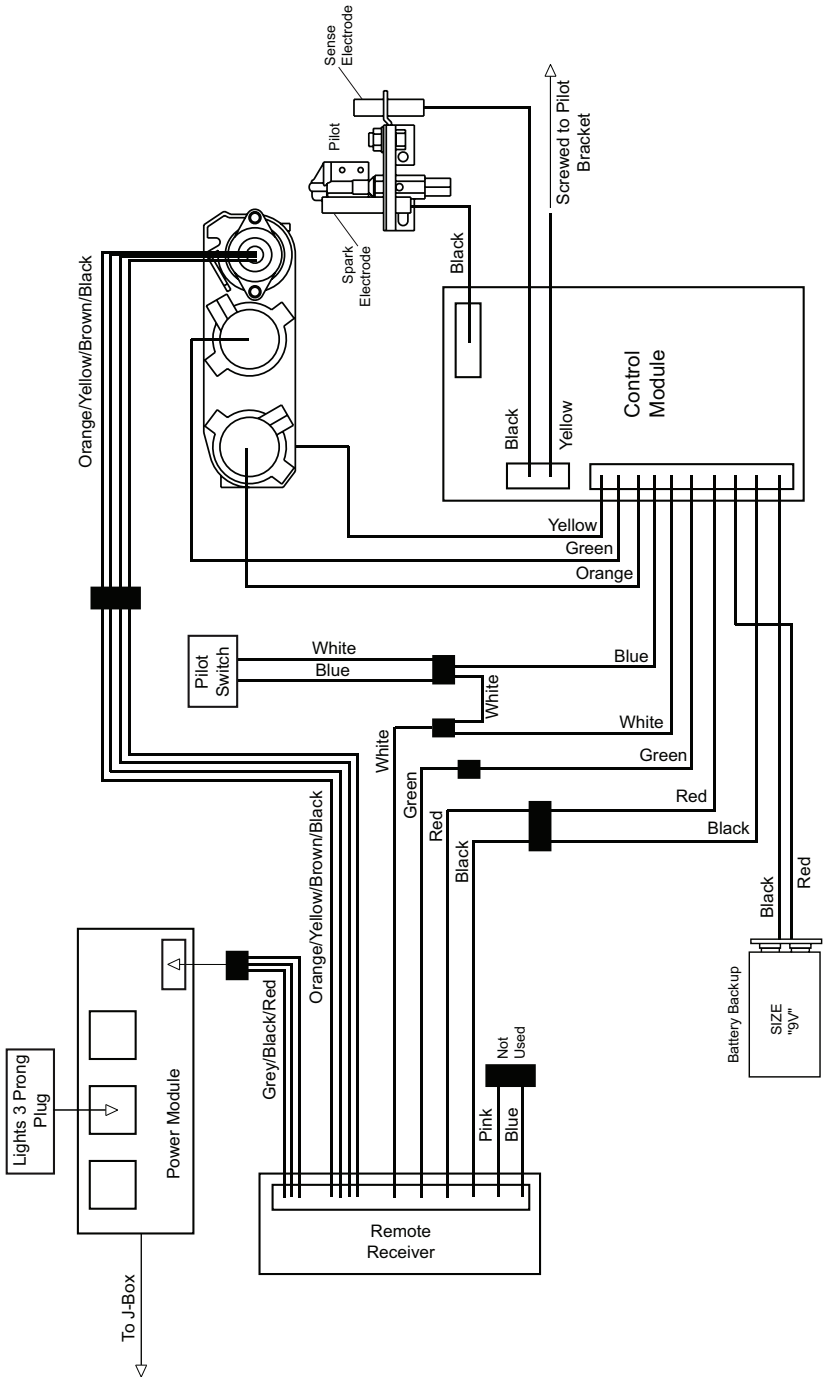
⚠ WARNING: If yellow tipping occurs, your fireplace could produce increased levels of carbon monoxide.

NOTICE: Do not mistake orange flames with yellow tipping. Dirt or other fine particles enter the fireplace and burn causing brief patches of orange flame.

Burner flames will be steady, not lifting or floating. Flame patterns will be different from unit to unit and will vary depending on installation type and weather conditions. This can be dangerous. Inspect flames after installation to ensure proper installation and performance. If burner flame pattern differs from that described:

- turn fireplace off (see *To Turn Off Gas to Appliance*, page 21)
- see *Troubleshooting*, page 27

WIRING DIAGRAM



TROUBLESHOOTING

⚠ WARNING: Turn off heater and let cool before servicing. Only a qualified service person should service and repair heater.

⚠ CAUTION: Never use a wire, needle or similar object to clean ODS/pilot. This can damage ODS/pilot unit.

Note: All troubleshooting items are listed in order of operation.

OBSERVED PROBLEM	POSSIBLE CAUSE	REMEDY
When ignitor button is pressed, there is no spark at ODS/pilot	<ol style="list-style-type: none"> 1. Ignitor electrode not connected to ignitor cable 2. Ignitor cable pinched or wet 3. Broken ignitor cable 4. Ignitor electrode positioned wrong 5. Ignitor electrode broken 	<ol style="list-style-type: none"> 1. Reconnect ignitor cable 2. Free ignitor cable if pinched by any metal or tubing. Keep ignitor cable dry 3. Replace ignitor cable 4. Replace pilot assembly 5. Replace pilot assembly
When ignitor button is pressed, there is spark at ODS/pilot but no ignition	<ol style="list-style-type: none"> 1. Gas supply turned off or equipment shutoff valve closed 2. Depleted gas supply (propane/LP only) 3. ODS/pilot is clogged 4. Gas regulator setting is not correct 	<ol style="list-style-type: none"> 1. Turn on gas supply or open equipment shutoff valve 2. Contact local propane/LP gas company 3. Clean ODS/pilot (see <i>Cleaning and Maintenance</i>, page 24) or replace ODS/pilot assembly 4. Replace gas regulator
Burner does not light after ODS/pilot is lit	<ol style="list-style-type: none"> 1. Inlet gas pressure is too low 2. Burner orifice(s) clogged 3. Thermopile leads disconnected or improperly connected 4. Burner will not come on in remote position 	<ol style="list-style-type: none"> 1. Contact local natural or propane/LP gas company 2. Clean burner(s) (see <i>Cleaning and Maintenance</i>, page 24) or replace burner orifice(s) 3. Reconnect leads (see <i>Wiring Diagram</i>, page 26) 4. Replace battery in transmitter and receiver
Delayed ignition of one or both burners	<ol style="list-style-type: none"> 1. Manifold pressure is too low 2. Burner orifice(s) clogged 	<ol style="list-style-type: none"> 1. Contact local natural or propane/LP gas company 2. Clean burner(s) (see <i>Cleaning and Maintenance</i>, page 24) or replace burner orifice(s)

TROUBLESHOOTING

Continued

OBSERVED PROBLEM	POSSIBLE CAUSE	REMEDY
Slight smoke or odor during initial operation	1. Not enough air	1. Check burner for dirt and debris. If found, clean burner (see <u><i>Cleaning and Maintenance</i></u> , page 24)
Heater produces a whistling noise when burners are lit	1. Not enough combustion/ventilation air	1. Refer to <u><i>Air for Combustion and Ventilation</i></u> requirements (page 5)
	1. Pressing button to HI position when burners are cold	1. Press button to LO position and let warm up for a minute
	2. Air in gas line	2. Operate burners until air is removed from line. Have gas line checked by local natural or propane/LP gas company
	3. Air passageways on heater blocked	3. Observe minimum installation clearances (see page 9)
White powder residue forming within burner box or on adjacent walls or furniture	4. Dirty or partially clogged burner orifice(s)	4. Clean burners (see <u><i>Cleaning and Maintenance</i></u> , page 24) or replace burner orifice(s)
	1. When heated, vapors from furniture polish, wax, carpet cleaners, etc. may turn into white powder residue	1. Turn heater off when using furniture polish, wax, carpet cleaners or similar products
Remote does not function	1. Battery is not installed. Battery power is low	1. Replace 4 AA batteries in receiver and 3 AAA batteries in hand-held remote control
	2. Wire connection loose or wire broken	2. Check wiring connections (see <u><i>Wiring Diagram</i></u> , page 26). Replace wiring harness if necessary
Fireplace produces a clicking/ticking noise just after burner is lit or shut off	1. Metal expanding while heating or contracting while cooling	1. This is normal with most heaters. If noise is excessive, contact qualified service person
Burner backfiring during combustion	1. Burner orifice is clogged or damaged	1. Clean burner (see <u><i>Cleaning and Maintenance</i></u> , page 24) or replace burner orifice(s)
	2. Damaged burner	2. Replace damaged burner

TROUBLESHOOTING

Continued



WARNING: If you smell gas

- Shut off gas supply.
- Do not try to light any appliance.
- Do not touch any electrical switch; do not use any phone in your building.
- Immediately call your gas supplier from a neighbor's phone. Follow the gas supplier's instructions.
- If you cannot reach your gas supplier, call the fire department.

IMPORTANT: Operating fireplace where impurities in air exist may create odors. Cleaning supplies, paint, paint remover, cigarette smoke, cements and glues, new carpet or textiles, etc., create fumes. These fumes may mix with combustion air and create odors. These odors will disappear over time.

OBSERVED PROBLEM	POSSIBLE CAUSE	REMEDY
Fireplace produces unwanted odors	<ol style="list-style-type: none"> 1. Heater burning vapors from paint, hair spray, glues, cleaners, chemicals, new carpet, etc. (See <i>IMPORTANT</i> statement above) 2. Low fuel supply (propane/LP only) 3. Gas leak. See Warning statement above 	<ol style="list-style-type: none"> 1. Open window to ventilate room. Stop using odor causing products while heater is running 2. Refill supply tank (propane/LP only) 3. Locate and correct all leaks (see <u><i>Checking Gas Connections</i></u>, page 16)
Fireplace shuts off in use (ODS operates)	<ol style="list-style-type: none"> 1. Not enough fresh air is available 2. Low line pressure 3. ODS/pilot is partially clogged 	<ol style="list-style-type: none"> 1. Open window and/or door for ventilation 2. Contact local natural or propane/LP gas company 3. Clean ODS/pilot (see <u><i>Cleaning and Maintenance</i></u>, page 24)
Gas odor even when control button is in OFF position	<ol style="list-style-type: none"> 1. Gas leak. See Warning statement above 2. Control valve or gas control defective 	<ol style="list-style-type: none"> 1. Locate and correct all leaks (see <u><i>Checking Gas Connections</i></u>, page 16) 2. Replace control valve or gas control
Gas odor during combustion	<ol style="list-style-type: none"> 1. Foreign matter between control valve and burner 2. Gas leak. See Warning statement above 	<ol style="list-style-type: none"> 1. Take apart gas tubing and remove foreign matter 2. Locate and correct all leaks (see <u><i>Checking Gas Connections</i></u>, page 16)

SPECIFICATIONS

(V)LVF43NR

- Rating (Variable): 25/39,000 Btu/Hr
- Gas Type: Natural Gas
- Ignition: Piezo
- Pressure Manifold Setting: 3.5" W.C.
- Inlet Gas Pressure (in. of water):
Maximum - 10.5" W.C.,
Minimum* - 5.5" W.C.

* For purposes of input adjustment

(V)LVF42PR

- Rating (Variable): 29/37,000 Btu/Hr
- Gas Type: Propane/LP Gas
- Ignition: Piezo
- Pressure Manifold Setting: 10.5" W.C.
- Inlet Gas Pressure (in. of water):
Maximum - 14" W.C.
Minimum* - 11" W.C.

* For purposes of input adjustment

REPLACEMENT PARTS

Note: Use only original replacement parts. This will protect your warranty coverage for parts replaced under warranty.

Contact authorized dealers of this product. If they can't supply original replacement part(s), call FMI PRODUCTS, LLC at 1-866-328-4537.

When calling, have ready:

- your name
- your address
- model and serial numbers of your heater
- how heater was malfunctioning
- purchase date

Usually, we will ask you to return the part to the factory.

SERVICE HINTS

When Gas Pressure Is Too Low

- pilot will not stay lit
- burner will have delayed ignition
- fireplace will not produce specified heat
- for propane/LP unit, propane/LP gas supply may be low

You may feel your gas pressure is too low. If so, contact your local gas supplier.

TECHNICAL SERVICE

You may have further questions about installation, operation, or troubleshooting. If so, contact FMI PRODUCTS, LLC at 1-866-328-4537. When calling please have your model and serial numbers of your heater ready.

You can also visit our web site at www.fmiproducts.com.

ACCESSORIES

NOTICE: All accessories may not be available for all fireplace models.

Purchase these accessories from your local dealer. If they can not supply these accessories call FMI PRODUCTS, LLC at 1-866-328-4537 for information. You can also write to the address listed on the back page of this manual.

SMOOTH GLASS PEBBLES (6 LBS)

GP43SO - Speckled Orange

GP43A - Amber

GP43G - Green

GP43B - Blue

DECORATIVE FACE TRIM

DFT43B - Black

DFT43AS - Aged Silver

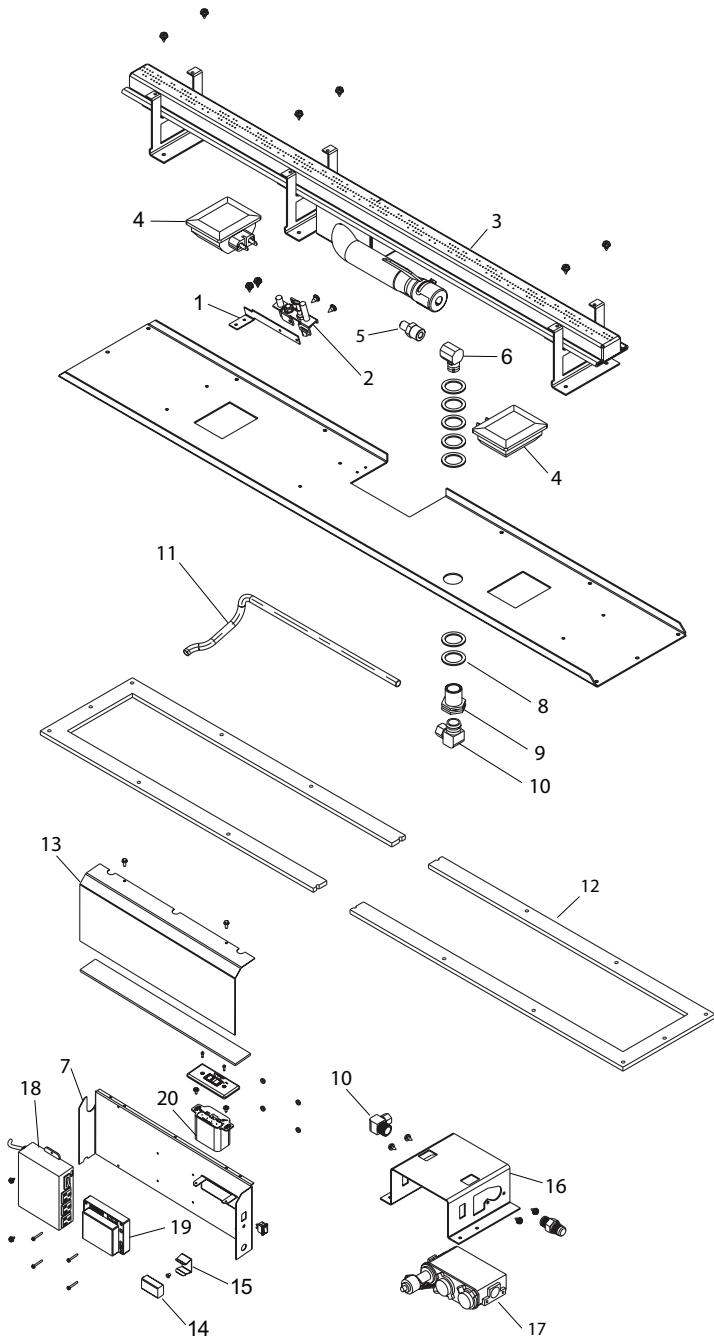
DFT43AC - Aged Copper

SEE-THRU DOOR KIT

LVSTI

PARTS

MODELS (V)LVF43NR & (V)LVF43PR



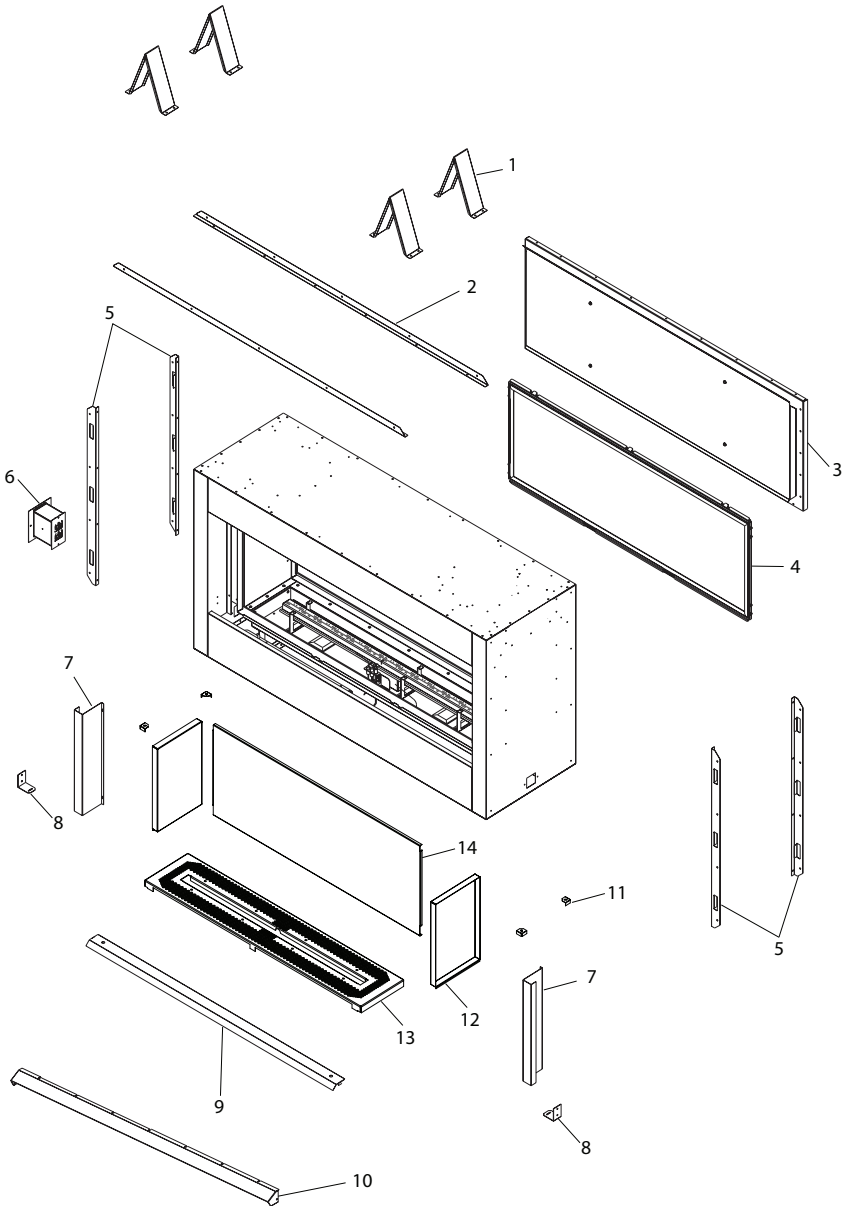
PARTS

This list contains replaceable parts used in your fireplace. When ordering parts, follow the instructions listed under Replacement Parts on page 30 of this manual.

KEY NO.	PART NO.	DESCRIPTION	(V)LVF43NR	(V)LVF43PR	QTY.
1	125609-02	Pilot Bracket	•	•	1
2	126043-04	Pilot, NG	•		1
	126043-05	Pilot, LP		•	1
3	125752-01	Burner Assembly	•	•	1
4	125961-01	Light Assembly w/ Wire Harness	•	•	1
	126130-01	Light Bulb, G9 120V/40W	•	•	2
5	24874	Orifice, #32	•		1
	23106	Orifice, #49		•	1
6	14296	Brass Elbow	•	•	1
7	114027-01	Grommet	•	•	1
8	116573-01	Flat Washer	•	•	7
9	11214	Bulkhead Fitting	•	•	1
10	14399	Brass Elbow	•	•	2
11	111817-01	Flextube	•	•	1
12	125932-01	Burner Gasket	•	•	2
13	126050-01	Electronic Access Cover	•	•	1
14	N/A	9V Battery	•	•	1
15	125072-02	Battery Backup Bracket	•	•	1
16	126048-01	Valve Bracket	•	•	1
17	126043-01	Valve, NG	•		1
	126043-02	Valve, LP		•	1
18	126043-06	Control Module	•	•	1
19	126043-03	Ignition Board	•	•	1
20	121129-08	Remote Receiver	•	•	1
21	125976-01	Electronic Support Bracket	•	•	1
PARTS AVAILABLE NOT SHOWN					
	125999-01	Clear Pebbles (6 lbs)	•	•	1
	121129-10	Control Module Wire Harness (See Page 35)	•	•	1
	121129-11	Remote Receiver Wire Harness (See Page 35)	•	•	1
	121129-09	Proflame Remote Control	•	•	1
	14253	30" Flex Line	•	•	1

PARTS

MODELS (V)LVF43NR & (V)LVF43PR



PARTS

BURNER ASSEMBLY

This list contains replaceable parts used in your fireplace. When ordering parts, follow the instructions listed under Replacement Parts on page 30 of this manual.

KEY

NO.	PART NO.	DESCRIPTION	(V)LVF43NR	(V)LVF43PR	QTY.
1	125847-01	Top Spacer	•	•	4
2	125757-02	Top Nailing Flange	•	•	2
3	125805-01	Rear Panel	•	•	1
4	125741-02	False Door Assembly	•	•	1
5	125757-01	Side Nailing Flange	•	•	4
6	110037-01	Electric Duct Assembly	•	•	1
7	125766-01	Side Face Filler	•	•	2
8	125767-01	Access Cover Retaining Bracket	•	•	2
9	125768-02	Access Door	•	•	1
10	125975-01	Fireplace Hood	•	•	2
11	125763-01	Corner Bracket	•	•	4
12	125813-01	Side Walls	•	•	2
13	125753-01	Pebble Pan	•	•	1
14	125814-01	Rear Wall	•	•	1

WARRANTY

KEEP THIS WARRANTY

Model (located on product or identification tag) _____

Serial No. (located on product or identification tag) _____

Date Purchased _____

Keep receipt for warranty verification.

FMI PRODUCTS, LLC LIMITED WARRANTIES

New Products

Standard Warranty: FMI PRODUCTS, LLC warrants this new product and any parts thereof to be free from defects in material and workmanship for a period of four (4) years from the date of first purchase from an authorized dealer provided the product has been installed, maintained and operated in accordance with FMI PRODUCTS, LLC's warnings and instructions.

For products purchased for commercial, industrial or rental usage, this warranty is limited to 90 days from the date of first purchase.

Factory Reconditioned Products

Limited Warranty: FMI PRODUCTS, LLC warrants factory reconditioned products and any parts thereof to be free from defects in material and workmanship for 30 days from the date of first purchase from an authorized dealer provided the product has been installed, maintained and operated in accordance with FMI PRODUCTS, LLC's warnings and instructions.

Terms Common to All Warranties

The following terms apply to all of the above warranties:

Always specify model number and serial number when contacting the manufacturer. To make a claim under this warranty the bill of sale or other proof of purchase must be presented.

This warranty is extended only to the original retail purchaser when purchased from an authorized dealer, and only when installed by a qualified installer in accordance with all local codes and instructions furnished with this product.

This warranty covers the cost of part(s) required to restore this product to proper operating condition and an allowance for labor when provided by a FMI PRODUCTS, LLC Authorized Service Center or a provider approved by FMI PRODUCTS, LLC. Warranty parts must be obtained through authorized dealers of this product and/or FMI PRODUCTS, LLC who will provide original factory replacement parts. Failure to use original factory replacement parts voids this warranty.

Travel, handling, transportation, diagnostic, material, labor and incidental costs associated with warranty repairs, unless expressly covered by this warranty, are not reimbursable under this warranty and are the responsibility of the owner.

Excluded from this warranty are products or parts that fail or become damaged due to misuse, accidents, improper installation, lack of proper maintenance, tampering, or alteration(s).

This is FMI PRODUCTS, LLC's exclusive warranty, and to the full extent allowed by law; this express warranty excludes any and all other warranties, express or implied, written or verbal and limits the duration of any and all implied warranties, including warranties of merchantability and fitness for a particular purpose to four (4) years on new products and 30 days on factory reconditioned products from the date of first purchase. FMI PRODUCTS, LLC makes no other warranties regarding this product.

FMI PRODUCTS, LLC's liability is limited to the purchase price of the product, and FMI PRODUCTS, LLC shall not be liable for any other damages whatsoever under any circumstances including indirect, incidental, or consequential damages.

Some states do not allow limitations on how long an implied warranty lasts or the exclusion or limitation of incidental or consequential damages, so the above limitation or exclusion may not apply to you.

This warranty gives you specific legal rights, and you may also have other rights which vary from state to state.

For information about this warranty contact:


FMI PRODUCTS, LLC
2701 S. Harbor Blvd.
Santa Ana, CA 92704
1-866-328-4537
www.fmiproducts.com

125899-01
Rev. B
01/12