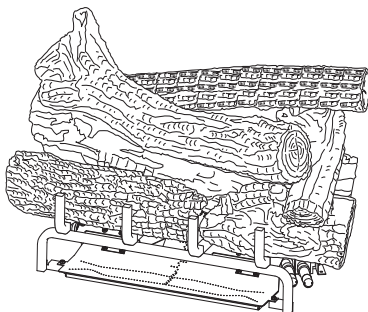




FMI PRODUCTS, LLC

UNVENTED (VENT-FREE) GAS LOG HEATER OWNER'S OPERATION AND INSTALLATION MANUAL



REMOTE-READY LOG SET AND BURNER SYSTEM MODELS

MF421NR, MF42IPR, MF481NR, MF48IPR

VARIABLE-REMOTE LOG SET AND BURNER SYSTEM MODELS

MF421NV, MF42IPV, MF481NV, MF48IPV

MF42 MODELS MAY BE USED WITH LMF42-SC LOGS ONLY

MF48 MODELS MAY BE USED WITH LMF48-SC LOGS ONLY

⚠ WARNING: If the information in this manual is not followed exactly, a fire or explosion may result causing property damage, personal injury or loss of life.

- Do not store or use gasoline or other flammable vapors and liquids in the vicinity of this or any other appliance.
- **WHAT TO DO IF YOU SMELL GAS**
 - Do not try to light any appliance.
 - Do not touch any electrical switch; do not use any phone in your building.
 - Immediately call your gas supplier from a neighbor's phone. Follow the gas supplier's instructions.
 - If you cannot reach your gas supplier, call the fire department.
- Installation and service must be performed by a qualified installer, service agency or the gas supplier.

INSTALLER: Leave this manual with the appliance.
CONSUMER: Retain this manual for future reference.

For more information, visit www.fmiproducts.com

TABLE OF CONTENTS

| | | | |
|---|----|--------------------------------|------------|
| Safety | 2 | Cleaning and Maintenance | 30 |
| Product Identification | 5 | Specifications | 31 |
| Local Codes | 5 | Wiring Diagram | 31 |
| Optional Remote Control Accessories | 5 | Troubleshooting | 32 |
| Unpacking | 5 | Parts | 36 |
| Product Features | 6 | Replacement Parts | 39 |
| Air For Combustion and Ventilation | 6 | Service Hints | 39 |
| Installation | 8 | Technical Service | 39 |
| Operation | 23 | Accessories | 40 |
| Inspecting Burners | 29 | Warranty | Back Cover |

SAFETY

⚠ WARNING: Improper installation, adjustment, alteration, service or maintenance can cause injury or property damage. Refer to this manual for correct installation and operational procedures. For assistance or additional information consult a qualified installer, service agency or the gas supplier.

⚠ WARNING: This is an unvented gas-fired heater. It uses air (oxygen) from the room in which it is installed. Provisions for adequate combustion and ventilation air must be provided. Refer to *Air for Combustion and Ventilation* section on page 6 of this manual.

⚠ WARNING: This appliance is for installation only in a solid-fuel burning masonry or UL127 factory-built fireplace or in a listed ventless firebox enclosure. It is design-certified for these installations in accordance with ANSI Z21.11.2. Exception: Do not install this appliance in a factory-built fireplace that includes instructions stating it has not been tested or should not be used with unvented gas logs.

This appliance may be installed in an aftermarket,* permanently located, manufactured (mobile) home, where not prohibited by local codes.

This appliance is only for use with the type of gas indicated on the rating plate. This appliance is not convertible for use with other gases.

* Aftermarket: Completion of sale, not for purpose of resale, from the manufacturer

SAFETY

Continued

⚠ WARNING: This product contains and/or generates chemicals known to the state of California to cause cancer or birth defects or other reproductive harm.

IMPORTANT: Read this owner's manual carefully and completely before trying to assemble, operate or service this fireplace. Improper use of this fireplace can cause serious injury or death from burns, fire, explosion, electrical shock and carbon monoxide poisoning.

⚠ DANGER: Carbon monoxide poisoning may lead to death!

Carbon Monoxide Poisoning: Early signs of carbon monoxide poisoning resemble the flu, with headaches, dizziness or nausea. If you have these signs, the fireplace may not be working properly. **Get fresh air at once!** Have fireplace serviced. Some people are more affected by carbon monoxide than others. These include pregnant women, people with heart or lung disease or anemia, those under the influence of alcohol and those at high altitudes.

Natural and Propane/LP gases are odorless. An odor-making agent is added to these gases. The odor helps you detect a gas leak. However, the odor added to the gas can fade. Gas may be present even though no odor exists. Make certain you read and understand all warnings. Keep this manual for reference. It is your guide to safe and proper operation of this fireplace.

⚠ WARNING: Any change to this heater or its controls can be dangerous.

⚠ WARNING: Do not use a blower insert, heat exchanger insert or other accessory not approved for use with this heater.

⚠ WARNING: Do not allow fans to blow directly into the fireplace. Avoid any drafts that alter burner flame patterns. Ceiling fans can create drafts that alter burner flame patterns. Altered burner patterns can cause sooting.

Due to high temperatures, the appliance should be located out of traffic and away from furniture and draperies.

Do not place clothing or other flammable material on or near the appliance. Never place any objects on the heater.

Heater base assembly becomes very hot when running heater. Keep children and adults away from hot surface to avoid burns or clothing ignition. Heater will remain hot for a time after shutdown. Allow surface to cool before touching.

Carefully supervise young children when they are in the room with heater. When using the handheld remote accessory, keep selector switch in the OFF position to prevent children from turning on burners with remote.

You must operate this heater with the fireplace screen and hood in place. Make sure fireplace screen and hood are in place before running heater.

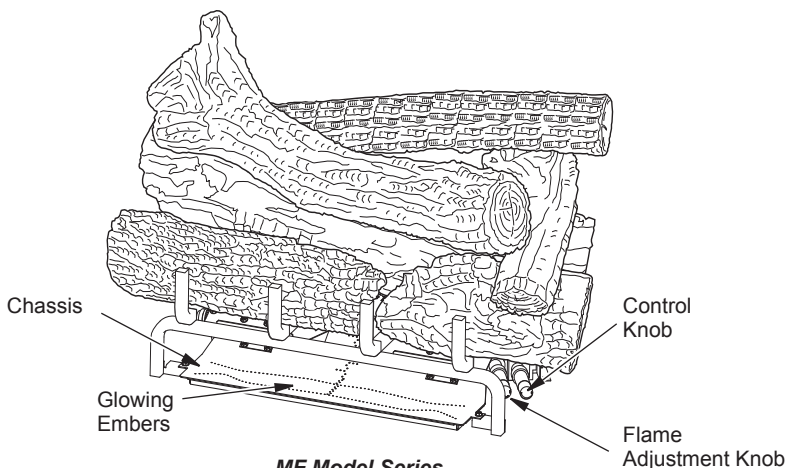
Keep the appliance area clear and free from combustible materials, gasoline and other flammable vapors and liquids.

SAFETY

Continued

1. This appliance is only for use with the type of gas indicated on the rating plate. This appliance is not convertible for use with other gases.
2. Do not place propane/LP supply tank(s) inside any structure. Locate propane/LP supply tank(s) outdoors (propane/LP units only).
3. If you smell gas
 - shut off gas supply
 - do not try to light any appliance
 - do not touch any electrical switch; do not use any phone in your building
 - immediately call your gas supplier from a neighbor's phone. Follow the gas supplier's instructions
 - if you cannot reach your gas supplier, call the fire department
4. This heater shall not be installed in a bedroom or bathroom, unless installed as a vented appliance. See Installing Damper Clamp Accessory for Vented Operation, page 12. This gas log set may not be installed as a vented appliance in a bedroom or bathroom in the Commonwealth of Massachusetts.
5. Before installing in a solid fuel burning fireplace, the chimney flue and firebox must be cleaned of soot, creosote, ashes and loose paint by a qualified chimney cleaner. Creosote will ignite if highly heated. A dirty chimney flue may create and distribute soot within the house. Inspect chimney flue for damage. If damaged, repair flue and firebox before operating heater.
6. Do not burn solid-fuel in a masonry or UL127 factory-built fireplace in which a vent-free room heater is installed.
7. If fireplace has glass doors, never operate this heater with glass doors closed. If you operate heater with doors closed, heat buildup inside fireplace will cause glass to burst. Make sure there are no obstructions across openings of fireplace.
8. To prevent the creation of soot, follow the instructions in Cleaning and Maintenance, page 30.
9. Before using furniture polish, wax, carpet cleaner or similar products, turn heater off. If heated, the vapors from these products may create a white powder residue within burner box or on adjacent walls and furniture.
10. This heater needs fresh, outside air ventilation to run properly. This heater has an Oxygen Depletion Sensing (ODS) safety shutoff system. The ODS shuts down the heater if enough fresh air is not available. See Air for Combustion and Ventilation, page 6. If heater keeps shutting off, see Troubleshooting, page 32.
11. Do not run heater
 - where flammable liquids or vapors are used or stored
 - under dusty conditions
12. Do not use this heater to cook food or burn paper or other objects.
13. Do not use heater if any part has been exposed to or under water. Immediately call a qualified service technician to inspect the room heater and to replace any part of the control system and any gas control which has been under water.
14. Do not operate heater if any log is broken. Do not operate heater if a log is chipped (dime-sized or larger).
15. Turn heater off and let cool before servicing, installing or repairing. Make sure the selector switch is in the OFF position. Only a qualified service person should install, service or repair heater.
16. Make sure the selector switch is in the OFF position when you are away from home for long periods of time.
17. Remote-ready heaters must not be connected to any external electrical source.
18. Operating heater above elevations of 4,500 feet may cause pilot outage.
19. To prevent performance problems, do not use propane/LP fuel tank of less than 100 lb. capacity (propane/LP units only).
20. Provide adequate clearances around air openings.

PRODUCT IDENTIFICATION



MF Model Series
Figure 1 - Product Identification

LOCAL CODES

Install and use heater with care. Follow all local codes. In the absence of local codes, use the latest edition of *The National Fuel Gas Code, ANSI Z223.1/NFPA 54**.

*Available from:

American National Standards Institute, Inc.
1430 Broadway
New York, NY 10018

National Fire Protection Association, Inc.
Batterymarch Park
Quincy, MA 02269

State of Massachusetts: The installation must be made by a licensed plumber or gas fitter in the Commonwealth of Massachusetts.

Sellers of unvented propane or natural gas-fired supplemental room heaters shall provide to each purchaser a copy of 527 CMR 30 upon sale of the unit.

Vent-free gas products are prohibited for bedroom and bathroom installation in the Commonwealth of Massachusetts.

OPTIONAL REMOTE CONTROL ACCESSORIES

There are four optional remote controls that can be purchased separately for Remote-Ready Models Only:

- wall switch
- hand-held ON/OFF remote
- wall thermostat
- hand-held thermostat remote

See [Accessories](#), page 40.

The wall thermostat or hand-held thermostat may not be used where vented decorative listing is required.

Variable remote control models include a thermostat remote control.

UNPACKING

CAUTION: Do not remove the data plates from the grate assembly. The data plates contain important warranty and safety information.

1. Remove logs and heater base assembly from carton(s).

Note: Do not pick up heater base assembly by burners. This could damage heater. Always handle base assembly by grate.

2. Remove all protective packaging applied to logs and heater for shipment.
3. Check heater for any shipping damage. If heater is damaged call FMI PRODUCTS, LLC at 1-866-328-4537 for replacement parts before returning to dealer.

PRODUCT FEATURES

OPERATION

This heater is clean burning. It requires no outside venting. There is no heat loss out a vent or up a chimney. Heat is generated by both realistic flames and glowing coals. This heater is designed for vent-free operation with flue damper closed. It has been tested and approved to ANSI Z21.11.2 standard for unvented heaters. State and local codes in some areas prohibit the use of vent-free heaters. This heater may also be operated as a vented decorative (ANSI Z21.60) product by opening the flue damper.

AIR FOR COMBUSTION AND VENTILATION

⚠ WARNING: This heater shall not be installed in a room or space unless the required volume of indoor combustion air is provided by the method described in the *National Fuel Gas Code, ANSI Z223.1/NFPA 54, the International Fuel Gas Code, or applicable local codes. Read the following instructions to insure proper fresh air for this and other fuel-burning appliances in your home.*

Today's homes are built more energy efficient than ever. New materials, increased insulation and new construction methods help reduce heat loss in homes. Home owners weather strip and caulk around windows and doors to keep the cold air out and the warm air in. During heating months, home owners want their homes as airtight as possible.

While it is good to make your home energy efficient, your home needs to breathe. Fresh air must enter your home. All fuel-burning appliances need fresh air for proper combustion and ventilation.

Exhaust fans, fireplaces, clothes dryers and fuel burning appliances draw air from the house to operate. You must provide adequate fresh air for these appliances. This will insure proper venting of vented fuel-burning appliances.

PROVIDING ADEQUATE VENTILATION

The following are excerpts from *National Fuel Gas Code, ANSI Z223.1/NFPA 54, Air for Combustion and Ventilation*.

SAFETY DEVICE

This heater has a pilot with an Oxygen Depletion Sensing (ODS) safety shutoff system. The ODS/pilot is a required feature for vent-free room heaters. The ODS/pilot shuts off the heater if there is not enough fresh air.

ELECTRONIC IGNITION SYSTEM

This heater has an electronic ignitor to light heater fuel supply.

All spaces in homes fall into one of the three following ventilation classifications:

1. Unusually Tight Construction
2. Unconfined Space
3. Confined Space

The information on pages 6 through 8 will help you classify your space and provide adequate ventilation.

Unusually Tight Construction

The air that leaks around doors and windows may provide enough fresh air for combustion and ventilation. However, in buildings of unusually tight construction, you must provide additional fresh air.

Unusually tight construction is defined as construction where:

- a. **walls and ceilings exposed to the outside atmosphere have a continuous water vapor retarder with a rating of one perm (6×10^{-11} kg per pa-sec- m^2) or less with openings gasketed or sealed and**
- b. **weather stripping has been added on openable windows and doors and**
- c. **caulking or sealants are applied to areas such as joints around window and door frames, between sole plates and floors, between wall-ceiling joints, between wall panels, at penetrations for plumbing, electrical and gas lines and at other openings.**

If your home meets all of the three criteria above, you must provide additional fresh air. See *Ventilation Air From Outdoors*, page 8.

If your home does not meet all of the three criteria above, proceed to *Determining Fresh-Air Flow For Heater Location*, page 7.

AIR FOR COMBUSTION AND VENTILATION

Continued

Confined and Unconfined Space

The *National Fuel Gas Code, ANSI Z223.1/NFPA 54* defines a confined space as a space whose volume is less than 50 cubic feet per 1,000 Btu/hr (4.8 m³ per kw) of the aggregate input rating of all appliances installed in that space and an unconfined space as a space whose volume is not less than 50 cubic feet per 1,000 Btu/hr (4.8 m³ per kw) of the aggregate input rating of all appliances installed in that space. Rooms communicating directly with the space in which the appliances are installed*, through openings not furnished with doors, are considered a part of the unconfined space.

* Adjoining rooms are communicating only if there are doorless passageways or ventilation grills between them.

DETERMINING FRESH-AIR FLOW FOR HEATER LOCATION

Determining if You Have a Confined or Unconfined Space

Use this work sheet to determine if you have a confined or unconfined space.

Space: Includes the room in which you will install fireplace plus any adjoining rooms with doorless passageways or ventilation grills between the rooms.

- Determine the volume of the space (length x width x height).

Length x Width x Height = _____ cu. ft.
(volume of space)

Example: Space size 20 ft. (length) x 16 ft. (width) x 8 ft. (ceiling height) = 2560 cu. ft. (volume of space)

If additional ventilation to adjoining room is supplied with grills or openings, add the volume of these rooms to the total volume of the space.

- Multiply the space volume by 20 to determine the maximum Btu/Hr the space can support.

_____ (volume of space) x 20 = (Maximum Btu/Hr the space can support)

Example: 2560 cu. ft. (volume of space) x 20 = 51,200 (maximum Btu/Hr the space can support)

- Add the Btu/Hr of all fuel burning appliances in the space.

| | | |
|-----------------------|---------|--------|
| Vent-free fireplace | _____ | Btu/Hr |
| Gas water heater* | _____ | Btu/Hr |
| Gas furnace | _____ | Btu/Hr |
| Vented gas heater | _____ | Btu/Hr |
| Gas fireplace logs | _____ | Btu/Hr |
| Other gas appliances* | + _____ | Btu/Hr |
| Total | = _____ | Btu/Hr |

* Do not include direct-vent gas appliances. Direct-vent draws combustion air from the outdoors and vents to the outdoors.

Example:

| | | | |
|---------------------|---------|--------|--------|
| Gas water heater | _____ | 40,000 | Btu/Hr |
| Vent-free fireplace | + _____ | 33,000 | Btu/Hr |
| Total | = _____ | 73,000 | Btu/Hr |

- Compare the maximum Btu/Hr the space can support with the actual amount of Btu/Hr used.

_____ Btu/Hr (maximum the space can support)

_____ Btu/Hr (actual amount used)

Example: 51,200 Btu/Hr (maximum the space can support)

73,000 Btu/Hr (actual amount of Btu/Hr used)

The space in the above example is a confined space because the actual Btu/Hr used is more than the maximum Btu/Hr the space can support. You must provide additional fresh air. Your options are as follows:

- Rework worksheet, adding the space of an adjoining room. If the extra space provides an unconfined space, remove door to adjoining room or add ventilation grills between rooms. See *Ventilation Air From Inside Building*, page 8.
- Vent room directly to the outdoors. See *Ventilation Air From Outdoors*, page 8.
- Install a lower Btu/Hr fireplace, if lower Btu/Hr size makes room unconfined.

If the actual Btu/Hr used is less than the maximum Btu/Hr the space can support, the space is an unconfined space. You will need no additional fresh air ventilation.

⚠ WARNING: If the area in which the heater may be operated does not meet the required volume for indoor combustion air, combustion and ventilation air shall be provided by one of the methods described in the *National Fuel Gas Code, ANSI Z223.1/NFPA 54*, the *International Fuel Gas Code*, or applicable local codes.

AIR FOR COMBUSTION AND VENTILATION

Continued

VENTILATION AIR

Ventilation Air From Inside Building

This fresh air would come from an adjoining unconfined space. When ventilating to an adjoining unconfined space, you must provide two permanent openings: one within 12" of the ceiling and one within 12" of the floor on the wall connecting the two spaces (see options 1 and 2, Figure 2). You can also remove door into adjoining room (see option 3, Figure 2). Follow the *National Fuel Gas Code, ANSI Z223.1/NFPA 54, Air for Combustion and Ventilation* for required size of ventilation grills or ducts.

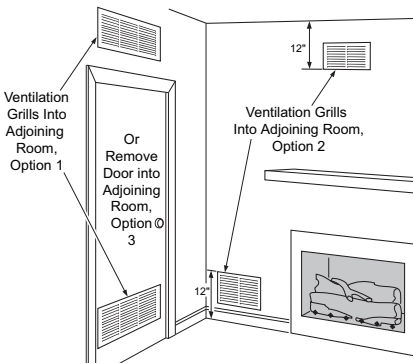


Figure 2 - Ventilation Air from Inside Building

Ventilation Air From Outdoors

Provide extra fresh air by using ventilation grills or ducts. You must provide two permanent openings: one within 12" of the ceiling and one within 12" of the floor. Connect these items directly to the outdoors or spaces open to the outdoors. These spaces include attics and crawl spaces. Follow the *National Fuel Gas Code, ANSI Z223.1/NFPA 54, Air for Combustion and Ventilation* for required size of ventilation grills or ducts.

IMPORTANT: Do not provide openings for inlet or outlet air into attic if attic has a thermostat-controlled power vent. Heated air entering the attic will activate the power vent.

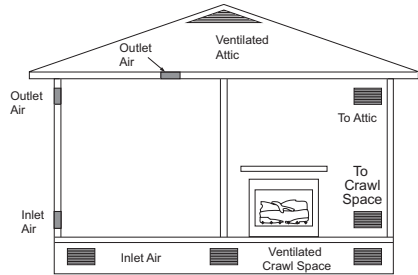


Figure 3 - Ventilation Air from Outdoors

INSTALLATION

NOTICE: This heater is intended for use as supplemental heat. Use this heater along with your primary heating system. Do not install this heater as your primary heat source. If you have a central heating system, you may run system's circulating blower while using heater. This will help circulate the heat throughout the house. In the event of a power outage, you can use this heater as your primary heat source.

WARNING: A qualified service person must install heater. Follow all local codes.

NOTICE: State or local codes may only allow operation of this appliance in a vented configuration. Check your state or local codes.

WARNING: Make sure the selector switch is in the OFF position before installing heater.

WARNING: Seal any fresh air vents or ash clean-out doors located on floor or wall of fireplace. If not, drafting may cause pilot outage or sooting. Use a heat-resistant sealant. Do not seal chimney flue damper.

INSTALLATION

Continued

⚠ WARNING: Before installing in a solid fuel burning fireplace, the chimney flue and firebox must be cleaned of soot, creosote, ashes and loose paint by a qualified chimney cleaner. Creosote will ignite if highly heated. A dirty chimney flue may create and distribute soot within the house. Inspect chimney and firebox flue for damage. If damaged, repair flue and firebox before operating heater.

⚠ WARNING: Never install the heater

- in a bedroom or bathroom unless installed as a vented appliance, see page 12
- in a recreational vehicle
- where curtains, furniture, clothing or other flammable objects are less than 36" from front, 42" from top of heater; for side clearances see Figure 4, page 10
- in high traffic areas
- in windy or drafty areas

⚠ CAUTION: This heater creates warm air currents. These currents move heat to wall surfaces next to heater. Installing heater next to vinyl or cloth wall coverings or operating heater where impurities (such as, but not limited to, tobacco smoke, aromatic candles, cleaning fluids, oil or kerosene lamps, etc.) in the air exist, may discolor walls or cause odors.

IMPORTANT: Vent-free heaters add moisture to the air. Although this is beneficial, installing heater in rooms without enough ventilation air may cause mildew to form from too much moisture. See [Air for Combustion and Ventilation](#), page 6.

CHECK GAS TYPE

Use the correct type of gas (natural or propane/LP). If your gas supply is not the correct gas type, do not install heater. Call dealer where you bought heater for proper type heater.

⚠ WARNING: This appliance is equipped for either natural gas or propane/LP gas but not both. Gas type is indicated on the rating plate. Field conversion is not permitted.

INSTALLATION AND CLEARANCES FOR VENT-FREE OPERATION

⚠ WARNING: Maintain the minimum clearances. If you can, provide greater clearances from floor, ceiling and adjoining wall.

MINIMUM FIREPLACE CLEARANCE TO COMBUSTIBLE MATERIALS

Side Wall 16", Ceiling 42"
Floor 5", Front: 36"

LOG SIZING REQUIREMENTS

| Log Size | Minimum Firebox Size | | | |
|----------|----------------------|-------|-------------|-------------|
| | Height | Depth | Front Width | Rear* Width |
| 42" | 29" | 15.5" | 39" | 26.75" |
| 48" | 29" | 20" | 47" | 33" |

* Also approved for use in Vantage Hearth Model VFB42, VTFB42 and VUM42 fireplaces.

Carefully follow the instructions below. This will ensure safe installation into a masonry, UL127-listed manufactured fireplace or listed vent-free firebox.

Minimum Clearances For Side Combustible Material, Side Wall and Ceiling

A. Clearances from the side of the fireplace cabinet to any combustible material and wall should follow diagram in Figure 4, page 10.

Example: The face of a mantel, bookshelf, etc. is made of combustible material and protrudes 3 1/2" from the wall. This combustible material must be 4" from the side of the fireplace cabinet (see Figure 4, page 10).

INSTALLATION

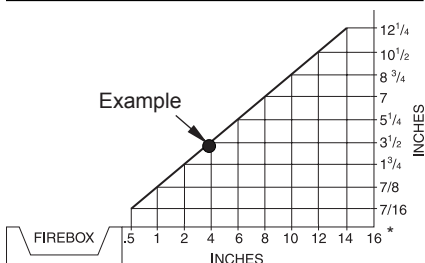
Continued

Note: When installing your gas logs into a manufactured firebox, follow firebox manufacturer's instructions for minimum clearances to combustible materials.

- B. Clearances from the top of the fireplace opening to the ceiling should not be less than 42".

NOTICE: Manual control heaters may be used as a vented product. If so, you must always run heater with chimney flue damper open. If running heater with damper open, noncombustible material above fireplace opening is not needed. Go to Installing Damper Clamp Accessory for Vented Operation, page 12.

| Noncombustible Material Distance (A) | Requirements for Safe Installation |
|--------------------------------------|---|
| 12" or more | Noncombustible material OK. |
| Between 8" and 12" | Install fireplace hood accessory (GA6050 or GA6053 see <u>Accessories</u> , page 40). |
| Less than 8" | Noncombustible material must be extended to at least 8". See <u>Between 8" and 12"</u> , above. If you cannot extend material, you must operate heater with flue damper open. |



*Minimum 16" from Side Wall

Figure 4 - Minimum Clearance for Combustible to Wall

Minimum Noncombustible Material Clearances

If Not Using Mantel

Note: If using a mantel proceed to If Using Mantel. If not using a mantel, follow these instructions.

You must have noncombustible material(s) above the fireplace opening. Noncombustible materials (such as slate, marble, tile, etc.) must be at least 1/2" thick. With sheet metal, you must have noncombustible material behind it. Noncombustible material must extend at least 8" up (for all models). If noncombustible material is less than 12", you must install the fireplace hood accessory (24" and 30" Models Only). See Figure 5 for minimum clearances.

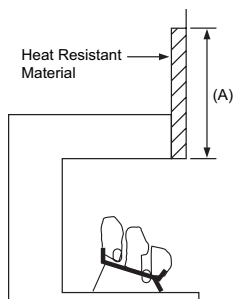


Figure 5 - Heat Resistant Material (Slate, Marble, Tile, etc.) Above Fireplace

If Using Mantel

You must have noncombustible material(s) above the fireplace opening. Noncombustible materials (such as slate, marble, tile, etc.) must be at least 1/2" thick. With sheet metal, you must have noncombustible material behind it. Noncombustible material must extend at least 8" up (for all models). If noncombustible material is less than 12", you must install the fireplace hood accessory (24" and 30" Models Only). Even if noncombustible material is more than 12", you may need the hood accessory to deflect heat away from your mantel shelf. See Figure 5 and Figures 6 and 7, page 11, for minimum clearances.

IMPORTANT: If you cannot meet these minimum clearances, you must operate heater with chimney flue damper open. Go to Installing Damper Clamp Accessory for Vented Operation, page 12.

INSTALLATION

Continued

MANTEL CLEARANCES

In addition to meeting noncombustible material clearances, you must also meet required clearances between fireplace opening and mantel shelf. If you do not meet the clearances listed below, you will need a hood.

Determining Minimum Mantel Clearance

If you meet minimum clearance between mantel shelf and top of fireplace opening, a hood is not required (see Figure 6).

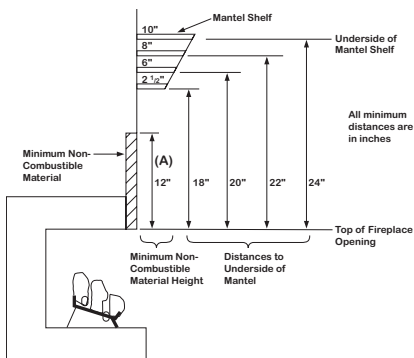


Figure 6 - Minimum Mantel Clearances Without Using Hood

Determining Minimum Mantel Clearance When Using a Hood

If minimum clearances in Figure 6, are not met, you must have a hood. When using a hood there are still certain minimum mantel clearances required. Follow minimum clearances shown in Figure 7, when using hood.

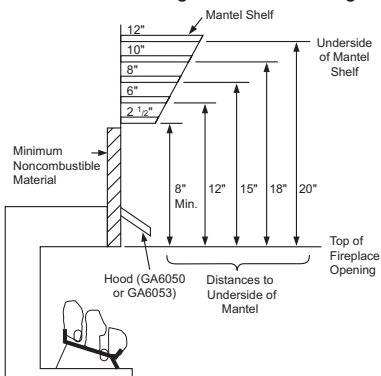


Figure 7 - Minimum Mantel Clearances When Using Hood

NOTICE: Surface temperatures of adjacent walls and mantels become hot during operation. Walls and mantels above the firebox may become hot to the touch. If installed properly, these temperatures meet the requirement of the national product standard. Follow all minimum clearances shown in this manual.

NOTICE: If your installation does not meet the minimum clearances shown, you must do one of the following:

- operate the logs only with the flue damper open
- raise the mantel to an acceptable height
- remove the mantel

FLOOR CLEARANCES

- If installing appliance on the floor level, you must maintain the minimum distance of 14" to combustibles (see Figure 8).
- If combustible materials are less than 14" to the fireplace, you must install appliance at least 5" above the combustible flooring (see Figure 9).

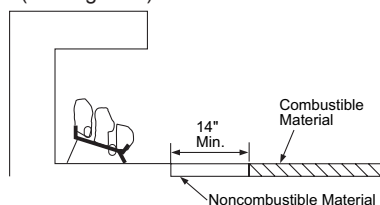


Figure 8 - Minimum Fireplace Clearances If Installed at Floor Level

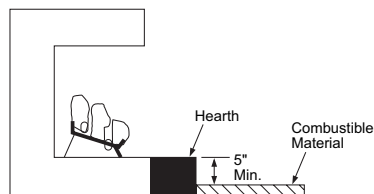


Figure 9 - Minimum Fireplace Clearances Above Combustible Flooring

INSTALLATION

Continued

INSTALLING DAMPER CLAMP ACCESSORY FOR VENTED OPERATION

Note: When used as a vented heater, appliance must be installed only in a solid-fuel burning fireplace with a working flue and constructed of noncombustible material.

For Massachusetts Residents Only: Installation of this gas log set as a vented appliance in the Commonwealth of Massachusetts requires the damper be permanently removed or welded in the fully open position.

If your heater is a manually-controlled model, you may use this heater as a vented product. There are three reasons for operating your heater in the vented mode.

1. The fireplace does not meet the clearance to combustibles requirements for vent-free operation.
2. State or local codes do not permit vent-free operation.
3. You prefer vented operation.

If reasons number 1 or 2 above apply to you, you must permanently open chimney flue damper. You must install the damper clamp accessory (to order, see *Accessories*, page 40). This will insure vented operation (see Figure 10). The damper clamp will keep damper open. Installation instructions are included with clamp accessory.

See chart below for minimum permanent flue opening you must provide. Attach damper clamp so the minimum permanent flue opening will be maintained at all times.

| Area of Various Standard Round Flues | |
|--------------------------------------|---------------|
| Diameter | Area |
| 5" | 20 sq. inches |
| 6" | 29 sq. inches |
| 7" | 39 sq. inches |
| 8" | 51 sq. inches |

| Chimney Height | Minimum Permanent Flue Opening |
|----------------|--------------------------------|
| 6' to 15' | 39 sq. inches |
| 15' to 30' | 29 sq. inches |

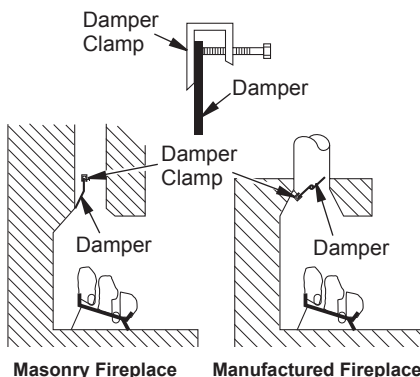


Figure 10 - Attaching Damper Clamp

INSTALLING HEATER BASE ASSEMBLY

⚠ WARNING: You must secure this heater to fireplace floor. If not, heater will move when you adjust controls. Moving heater may cause a gas leak.

⚠ WARNING: If installing in a sunken fireplace, special care is needed. You must raise the fireplace floor to allow access to heater control panel. This will insure adequate air flow and guard against sooting and controls being damaged. Raise fireplace floor with noncombustible material. Make sure material is secure.

⚠ CAUTION: Do not pick up heater base assembly by burners. This could damage heater. Only handle base assembly by grates.

IMPORTANT: Make sure the heater burners are level.

INSTALLATION

Continued

Installation Items Needed

- hardware package (provided with heater)
- approved flexible gas hose and fittings provided (if allowed by local codes)
- sealant (resistant to propane/LP gas, not provided)
- electric drill with 3/16" masonry drill bit

Note: Install optional MRC Series receiver and hand-held remote control kit (see [Accessories](#), page 40) before installing gas log heater. See installation instructions included with the kit.

1. Apply pipe joint sealant lightly to male threads of the 1/2 NPT side of gas fitting elbow (provided) and connect to inlet side of gas control. Remove gas fitting from flexible gas hose (provided) before connecting to elbow (see Figure 11).
2. Position heater base assembly in fireplace.
3. Mark screw locations through holes in front panel of base (see Figure 12). If installing in a brick-bottom fireplace, mark screw locations in mortar joint of bricks.
4. Remove heater base from fireplace.
5. Drill holes at marked locations using 3/16" drill bit.
6. Attach base, through holes in back side panels of base, to fireplace floor using masonry screws provided in hardware package (see Figure 12).
7. Connect to gas supply. See [Connecting To Gas Supply](#).

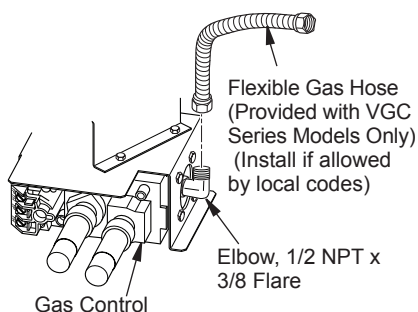


Figure 11 - Attaching Flexible Gas Hose to Heater Gas Regulator

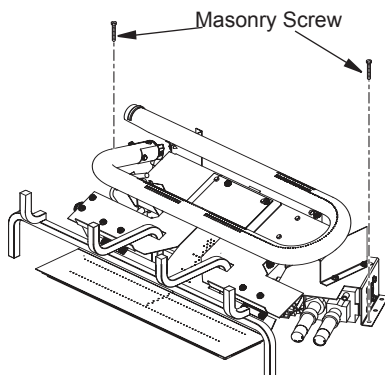


Figure 12 - Attaching Base to Fireplace Floor

CONNECTING TO GAS SUPPLY

WARNING: This appliance requires a 1/2" NPT (National Pipe Thread) inlet connection to the pressure regulator.

WARNING: A qualified service person must connect heater to gas supply. Follow all local codes.

CAUTION: Never connect propane/LP fireplace directly to the propane/LP supply. This heater requires an external regulator (not supplied). Install the external regulator between the heater and propane/LP supply.

WARNING: Never connect natural gas fireplace to private (non-utility) gas wells. This gas is commonly known as wellhead gas.

INSTALLATION

Continued

Installation Items Needed

Before installing heater, make sure you have the items listed below.

- external regulator (supplied by installer)
- piping (check local codes)
- sealant (resistant to propane/LP gas)
- equipment shutoff valve *
- test gauge connection *
- sediment trap
- tee joint
- pipe wrench
- approved flexible gas line with gas connector (if allowed by local codes) (not provided)

* An equipment shutoff valve with 1/8" NPT tap is an acceptable alternative to test gauge connection. Purchase the optional equipment shutoff valve from your dealer.

For propane/LP units, the installer must supply an external regulator. The external regulator will reduce incoming gas pressure. You must reduce incoming gas pressure to between 11" and 14" of water. If you do not reduce incoming gas pressure, heater regulator damage could occur. Install external regulator with the vent pointing down as shown in Figure 13. Pointing the vent down protects it from freezing rain or sleet.

CAUTION: Use only new, black iron or steel pipe. Internally-tinned copper tubing may be used in certain areas. Check your local codes. Use pipe of 1/2" diameter or greater to allow proper gas volume to heater. If pipe is too small, undue loss of volume will occur.

Installation must include an equipment shutoff valve, union and plugged 1/8" NPT tap. Locate NPT tap within reach for test gauge hook up. NPT tap must be upstream from heater (see Figure 14).

IMPORTANT: Install equipment shutoff valve in an accessible location. The equipment shutoff valve is for turning on or shutting off the gas to the appliance.

Check your building codes for any special requirements for locating equipment shutoff valve to fireplaces.

Apply pipe joint sealant lightly to male NPT threads. This will prevent excess sealant from going into pipe. Excess sealant in pipe could result in clogged heater valves.

WARNING: Use pipe joint sealant that is resistant to liquid petroleum (LP) gas.

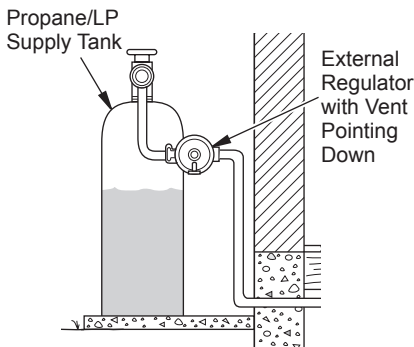


Figure 13 - External Regulator With Vent Pointing Down

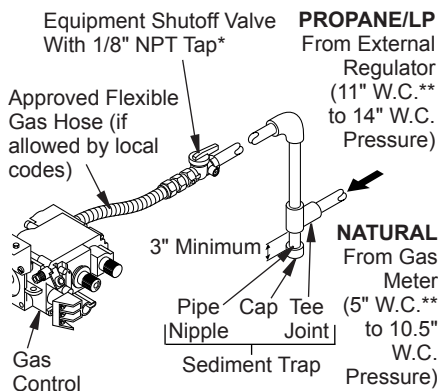


Figure 14 - Gas Connection (Remote-Ready Models Only)

* Purchase the optional equipment shutoff valve from your dealer.

**Minimum inlet pressure for purpose of input adjustment.

INSTALLATION

Continued

We recommend that you install a sediment trap in supply line as shown in Figure 14, page 14. Locate sediment trap where it is within reach for cleaning. Install in piping system between fuel supply and heater. Locate sediment trap where trapped matter is not likely to freeze. A sediment trap traps moisture and contaminants. This keeps them from going into heater controls. If sediment trap is not installed or is installed wrong, heater may not run properly.

⚠ CAUTION: Avoid damage to gas control. Hold gas control with wrench when connecting it to gas piping and/or fittings.

CHECKING GAS CONNECTIONS

⚠ WARNING: Test all gas piping and connections, internal and external to unit, for leaks after installing or servicing. Correct all leaks at once.

⚠ WARNING: Never use an open flame to check for a leak. Apply a noncorrosive leak detection fluid to all joints. Bubbles forming show a leak. Correct all leaks at once.

⚠ CAUTION: Make sure external regulator has been installed between propane/LP supply and heater. See guidelines under *Connecting to Gas Supply*, page 13.

PRESSURE TESTING GAS SUPPLY PIPING SYSTEM

Test Pressures In Excess Of 1/2 PSIG (3.5 kPa)

1. Disconnect appliance with its appliance main gas valve (control valve) and equipment shutoff valve from gas supply piping system. Pressures in excess of 1/2 psig will damage heater regulator.
2. Cap off open end of gas pipe where equipment shutoff valve was connected.

3. Pressurize supply piping system by either opening propane/LP supply tank valve for propane/LP gas or opening main gas valve located on or near gas meter for natural gas or using compressed air.
4. Check all joints of gas supply piping system. Apply noncorrosive leak detection fluid to all joints. Bubbles forming show a leak.
5. Correct all leaks at once.
6. Reconnect heater and equipment shutoff valve to gas supply. Check reconnected fittings for leaks.

Test Pressures Equal To or Less Than 1/2 PSIG (3.5 kPa)

1. Close equipment shutoff valve (see Figure 15).
2. Pressurize supply piping system by either opening propane/LP supply tank valve for propane/LP gas or opening main gas valve located on or near gas meter for natural gas or using compressed air.
3. Check all joints from gas meter to equipment shutoff valve for natural gas or propane/LP supply to equipment shutoff valve for propane/LP (see Figure 16 or Figure 17, page 16). Apply noncorrosive leak detection fluid to all joints. Bubbles forming show a leak.
4. Correct all leaks at once.

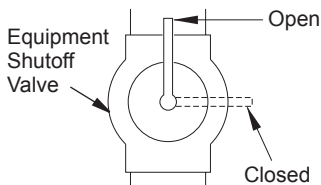


Figure 15 - Equipment Shutoff Valve

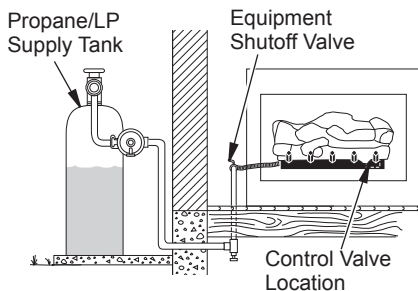


Figure 16 - Checking Gas Joints (Propane/LP Only)

INSTALLATION

Continued

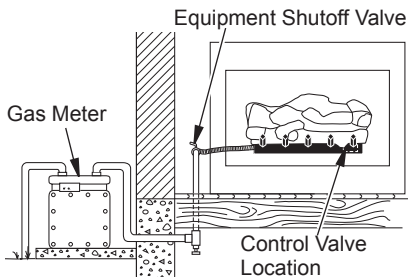


Figure 17 - Checking Gas Joints (Natural Gas Only)

PRESSURE TESTING HEATER GAS CONNECTIONS

1. Open equipment shutoff valve (see Figure 15, page 15).
2. Open main gas valve located on or near gas meter for natural gas or open propane/LP supply tank valve.
3. Make sure control knob of heater is in the OFF position.
4. Check all joints from gas meter to equipment shutoff valve for natural gas or propane/LP supply to equipment shutoff valve for propane/LP (see Figure 16, page 15 or Figure 17, page 16). Apply noncorrosive leak detection fluid to all joints. Bubbles forming show a leak.
5. Correct all leaks at once.
6. Light heater (see *Operation*, page 23). Check all other internal joints for leaks.
7. Turn off heater (see *To Turn Off Gas to Appliance*, page 25 for Remote Ready models or page 27 for Variable Remote Models).

INSTALLING SWITCH (REMOTE READY MODELS)

The AUTO/OFF/ON switch for this log set is installed into the small single log accompanying this log set. This switch needs to be used only if remote or wall switch is not being used.

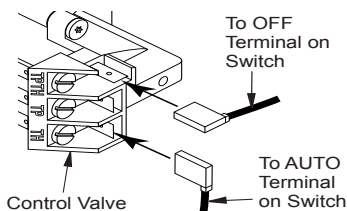


Figure 18 - Connecting Wires

Connect the wires to the valve from the switch assembly as shown in Figure 18.

INSTALLING OPTIONAL REMOTE ACCESSORIES (REMOTE READY MODELS)

Installing Remote Receiver

Remote control accessories are available separately (see *Accessories*, page 40). Read instructions shipped with remote control along with instructions below before attempting installation.

1. If unit is already installed in fireplace, continue with these instructions. If unit has not been installed in fireplace, go to step 6 and continue installation of remote accessory.

⚠ WARNING: Turn off heater and let cool before handling any part of heater. Make sure gas is turned off to unit.

2. Carefully remove logs and set aside.
3. Locate mounting screws on sides of heater base assembly and remove screws. Set screws aside for reinstallation.
4. Disconnect gas line from heater base as shown in Figure 11, page 13.

⚠ WARNING: A qualified service person must connect and disconnect gas to heater. Follow all local codes.

5. Remove heater base from fireplace.
6. If installed, disconnect AUTO/OFF/ON switch wire from control valve at TPTH and TH locations (see Figure 19).
7. Connect wires from hardware pack (with remote receiver bracket) to control valve at the TPTH and TH locations as shown in Figure 19. Connect other ends of these wires to remote receiver wires.

Note: Make sure excess wire does not interfere with burner or pilot.

8. If heater was removed from fireplace before installation of remote accessory, see *Installing Heater Base Assembly* on page 12 to reinstall heater into fireplace. Test gas connection for leaks (see *Checking Gas Connections*, page 15).

INSTALLATION

Continued

- If logs were removed from heater for install remote accessory, replace logs (see *Installing Logs, Embers and Lava Rock, Page 18*).
- Place remote receiver on fireplace floor next to control valve. Make sure the remote receiver and wires are not on or touching either gas burner on the log set.

Installing Batteries for Remote Receiver and Hand Held Remote Control

Two 9-volt alkaline batteries (not included) are required to operate this heater with the wireless hand-held remote control set. One battery must be installed in the receiver and one in the hand-held remote control unit.

Note: Only use alkaline batteries.

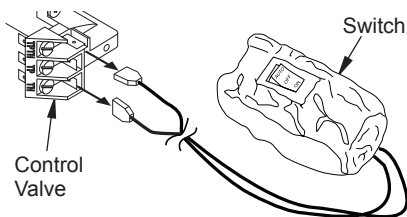


Figure 19 - Disconnecting Switch from Control Valve (Remote Ready Models Only)

INSTALLING BATTERIES IN REMOTE CONTROL AND RECEIVER (VARIABLE REMOTE MODELS)

⚠ WARNING: Make sure your selector switch is in OFF position before installing or changing batteries in your hand-held remote or receiver.

Hand-Held Remote Control

The hand-held remote control uses 3 AAA batteries (not included).

To install batteries:

- Remove battery housing cover from back of hand-held remote (see Figure 20).
- Install or replace batteries.

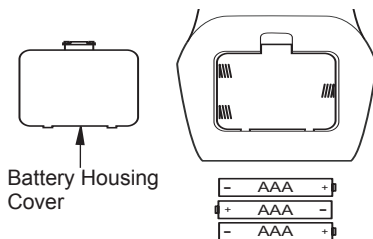


Figure 20 - Battery Install Hand-Held Remote Control

- Replace battery housing cover. When batteries are installed, the "little house" icon with current room temperature will be displayed (see Figure 21). This icon will always show in the control window as long as the batteries have power.

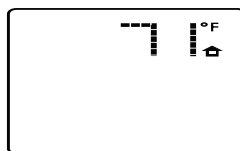


Figure 21 - Remote Display

Remote Receiver

The remote receiver uses 4 AA batteries (not included). To install or replace batteries:

- Open lower louver to gain access to receiver.
- Remove screws from cover plate.
- Remove battery housing cover.
- Install or replace batteries.
- Replace battery housing cover.
- Replace cover plate.

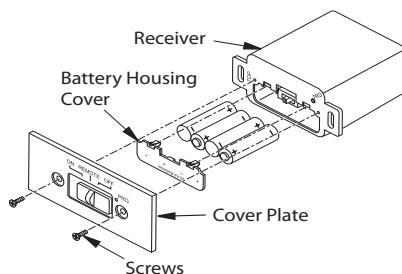


Figure 22 - Battery Install Remote Control Receiver

INSTALLATION

Continued

| MF SERIES BURNER SYSTEM-LOG COMPATIBILITY CHART | |
|---|--|
| Burner System Model | Refractory Concrete Logs For Use With This Burner System |
| MF42INR, MF42IPR, MF42INV, MF42IPV | LMF42-SC |
| MF48INR, MF48IPR, MF48INV, MF48IPV | LMF48-SC |

Figure 23 - MF Series Burner System- Log Compatibility Chart

INSTALLING LOGS, EMBERS AND LAVA ROCK

⚠ WARNING: Failure to position the parts in accordance with these diagrams or failure to use only parts specifically approved with this heater may result in property damage or personal injury.

⚠ CAUTION: After installation and periodically thereafter, check to ensure that no flame comes in contact with any log. With heater set to Hi, check to see if flames contact any log. If so, reposition logs according to log installation instructions in this manual. Flames contacting logs will create soot.

LMF (42 AND 48)-SC SERIES LOG PLACEMENT

It is very important to install these logs exactly as instructed. Do not modify logs. Only use logs supplied with heater or as identified for use with the heater as shown in Figure 23.

Note: Each log includes an identifying number cast in the log. Look at each log when placing them on the burner system to be certain it is correct.

1. Find the right front log (LMF42-SC: D-019 or LMF48-SC: D027). See Figures 24, 24A, 24B, and 24C for reference. The log

has a rectangular shape on the bottom that fits between the black metal base, the square grate, and the round tube burner. Place the log on the base assembly as shown in Figures.

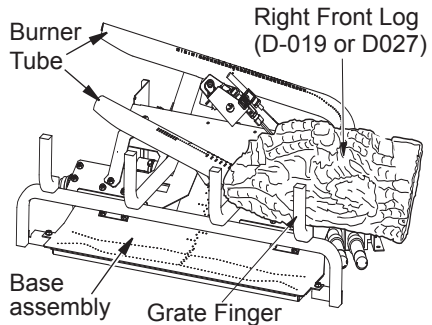


Figure 24 - Installing Right Front Log

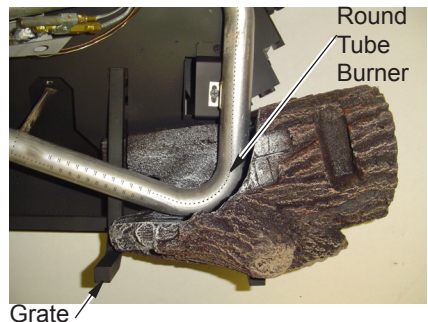


Figure 24A - Installing Right Front Log, Top View

INSTALLATION

Continued

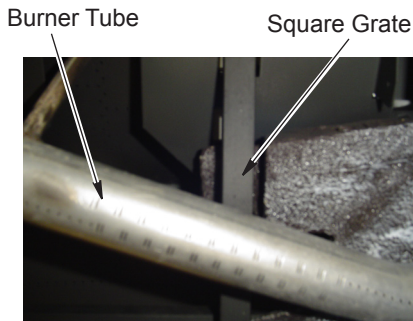


Figure 24B - Installing Right Front Log, Top View

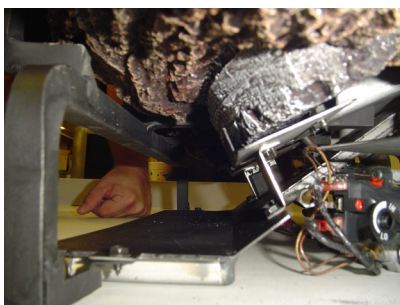


Figure 24C - Installing Right Front Log, Side View

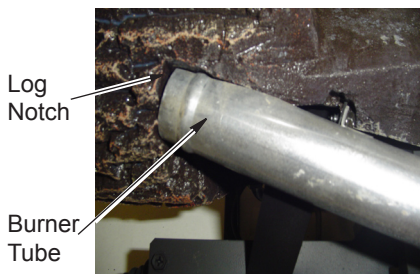


Figure 25A - Installing Back Left Log



Vertical Portion of Burner Tube

Figure 25B - Installing Back Left Log (D-018) Rear View

2. Find the back left log (LMF42-SC: D-018 or LMF48-SC: D026). See Figures 25, 25A, and 25B. Figure 25A shows how the log must fit against the end of the burner. Figure 25B shows how the log fits against the vertical portion of the burner tube. Place this log on the base assembly by inserting it from the left side as shown in Figure 25. You may need to twist the log slightly to get it to fit against the burners properly.

3. Find the front left log (LMF42-SC: D017 or LMF48-SC: D025). See Figures 26, 26A, and 26B. The log has a rectangular slot on the bottom that fits on the black metal base as shown in figure 26A, page 20. The bottom of this log has a notch that fits over the square grate as shown in Figure 26B, page 20. Place the log on the base assembly as shown in figures.

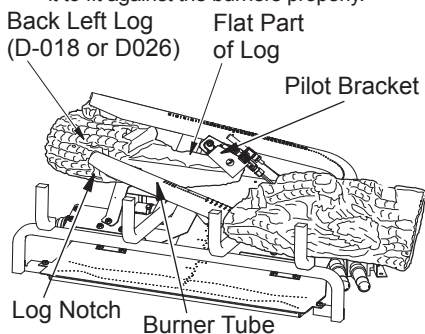


Figure 25 - Installing Back Left Log

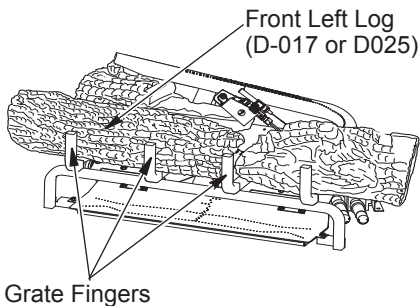


Figure 26 - Installing Front Left Log

INSTALLATION

Continued

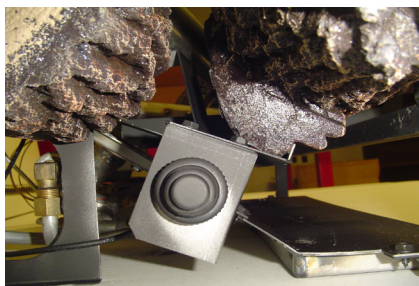
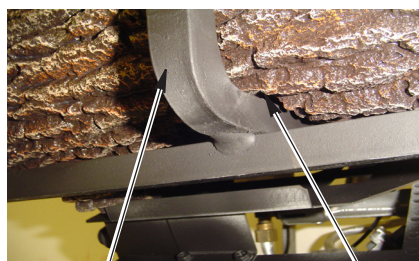


Figure 26A - Installing Front Left Log Side View



Figure 27A - Installing Charred Log Top View



Grate Finger Log Slot

Figure 26B - Installing Front Left Log

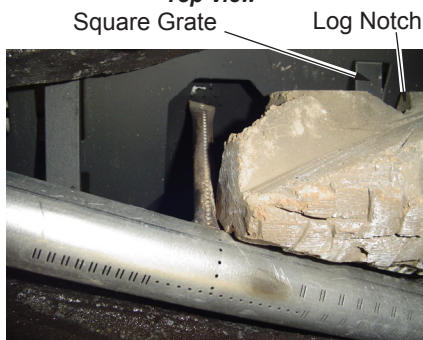


Figure 27B - Installing Charred Log Top Side View

- Find the charred log (D-020). See Figures 27, 27A, and 27B. The log has a notch in the bottom that fits over the square grate as shown in Figure 27. Place this log on the base as shown in figures.

- Find the middle split log (LMF42-SC: D-021 or LMF48-SC: D028). See Figures 28 and 28A. The split side of the log faces forward. The log has a notch that fits around the burner tube on the right side. Place the log over the burner and pull the right side forward until it touches the back of the front right log. The log is placed properly when it sits parallel to the tube burner and the square peg is pointing up. See figures for reference.

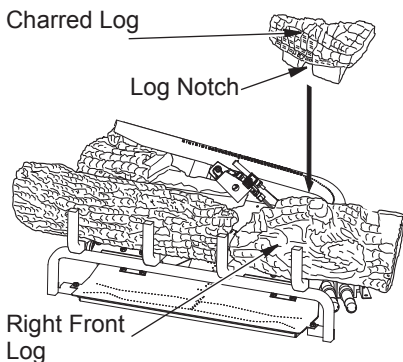


Figure 27 - Installing Charred Log

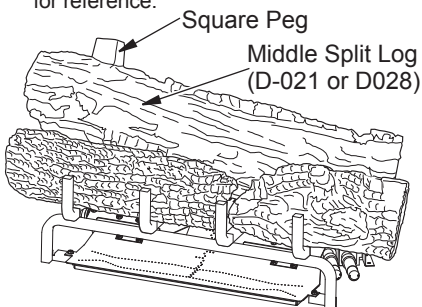


Figure 28 - Installing Middle Split Log (D-021)

INSTALLATION

Continued

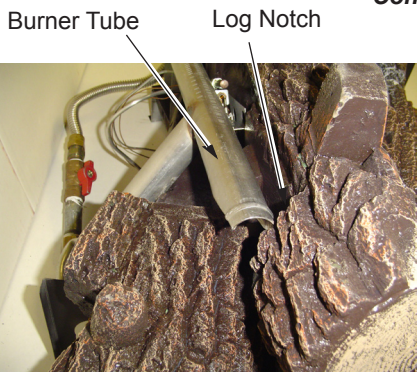


Figure 28A - Installing Middle Split Log Rear Top Side View

- Find the right split crossover log (D-022). The bottom of the log has a rectangular shape that fits in the rectangular slots on the right side of the front right log and the middle split log. Place this log as shown in Figure 29.

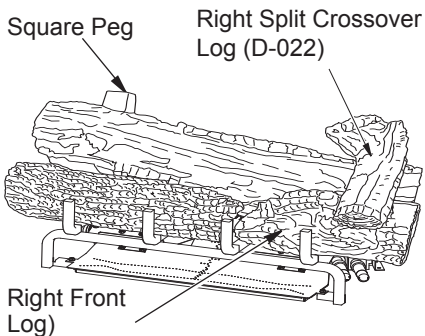


Figure 29 - Installing Right Split Crossover Log

- Find the front top log (D-024). See Figure 30. The left end of this log has a square hole that fits over a square peg that is on the top of the middle split log. The right end of this log rests against the knot on the top of the front right log and also rests on top of the right split crossover log.

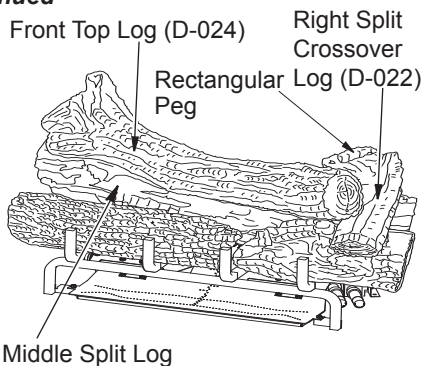


Figure 30 - Installing Front Top Log

- Find the back top log (LMF-SC: D-023 or LMF48-SC: D029). See Figures 31, and 31A. The left end of this log has a round hole that fits over a round peg that is on the top of the back left log. The right end of this log has a rectangular hole that fits over a rectangular peg on the top of the right crossover log.

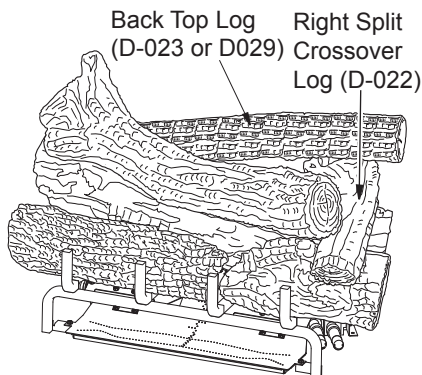


Figure 31 - Installing Back Top Log and Final Assembly



Figure 31A - Installing Back Top Log, Top View

INSTALLATION

Continued

EMBER PLACEMENT

- Two ember materials are supplied with this log set. Platinum Bright Embers give a bright glow appearing as hot coals. Should embers need replacing, see [Accessories](#), page 40.
- **Platinum Bright Ember placement.** Add embers to front, flat burner. Gently remove embers from bag. Separate pieces of ember material and place on surface of flat burner just behind horizontal ports as shown in Figure 32.

⚠ WARNING: Do not use any other ember material not supplied with this unit.

⚠ WARNING: Do not operate unit without ember material correctly in place as shown in Figures 32 & 33. Do NOT place ember material anywhere else on the unit. Use only ember material supplied with unit. Excessive or incorrectly placed ember material may produce carbon monoxide or soot.

LAVA ROCK PLACEMENT

- **Rock Wool placement.** Place rock wool material on front flat burner in areas away from ports as shown in Figure 33.
- Add lava rock; Lava rock may cover 1/2 inch of the front burner (flat metal ember pan burner) but shall not be allowed to come in contact with either the burner ports or flame around base of heater if desired. **DO NOT place rock or additional logs on front burner or on logs except as directed above.** Placing any material on unit other than ember material on front burner may result in production of carbon monoxide or soot. A switch log is included with each log set. This log is designed to house a switch on remote ready models. On variable remote models, this switch is not needed. The log can be placed on the floor of the fireplace to enhance the look of the log set. Use lava rock to hide wires from switch/log to control valve. Place switch/log so the switch is easy to access.



Figure 32 - Platinum Bright Embers



Figure 33 - Placement of Rock Wool (shown with Platinum Bright Embers)

OPERATION

REMOTE READY MODELS OPERATION

**FOR YOUR SAFETY
READ BEFORE LIGHTING**

⚠ WARNING: If you do not follow these instructions exactly, a fire or explosion may result causing property damage, personal injury or loss of life.

- A. This appliance has a pilot which must be lighted by hand. When lighting the pilot, follow these instructions exactly.
- B. **BEFORE LIGHTING** smell all around the appliance area for gas. Be sure to smell next to the floor because some gas is heavier than air and will settle on the floor.

WHAT TO DO IF YOU SMELL GAS

- Do not try to light any appliance.
 - Do not touch any electric switch; do not use any phone in your building.
 - Immediately call your gas supplier from a neighbor's phone. Follow the gas supplier's instructions.
 - If you cannot reach your gas supplier, call the fire department.
- C. Use only your hand to push in or turn the gas control knob. Never use tools. If the knob will not push in or turn by hand, don't try to repair it, call a qualified service technician or gas supplier. Force or attempted repair may result in a fire or explosion.
 - D. Do not use this appliance if any part has been under water. Immediately call a qualified service technician to inspect the appliance and to replace any part of the control system and any gas control which has been under water.

LIGHTING INSTRUCTIONS


⚠ WARNING:

- If fireplace has glass doors, never operate this heater with glass doors closed. If you operate heater with doors closed, heat buildup inside fireplace will cause glass to burst. Make sure there are no obstructions across openings of fireplace.
- You must operate this heater with a fireplace screen in place. Make sure fireplace screen is closed before running heater.

NOTICE: During initial operation of new heater, burning logs will give off a paper-burning smell. Orange flame will also be present. Open damper or window to vent smell. This will only last a few hours.


Note: Home owners generally prefer to operate their heater with the chimney damper closed. This will put all the heat into the room. However, there may be times you will desire the full flames of the HI heat setting but will find the heat output excessive. You can open the chimney damper (if you have one) fully or partially to release some of the heat.

⚠ WARNING: Damper handle will be hot if heater has been running.

1. STOP! Read the safety information, column 1.
2. Make sure equipment shutoff valve is fully open.
3. Set switch to OFF position.
4. Press in and turn control knob clockwise  to the OFF position (see Figure 34, page 24).
5. Wait five (5) minutes to clear out any gas. Then smell for gas, including near the floor. If you smell gas, STOP! Follow "B" in the safety information, column 1. If you don't smell gas, go to the next step.

REMOTE READY MODELS OPERATION

Continued

- Press in and turn control knob counterclockwise  to the PILOT position. Press in control knob for five (5) seconds (see Figure 34).

Note: You may be running this heater for the first time after hooking up to gas supply. If so, the control knob may need to be pressed in for 30 seconds or more. This will allow air to bleed from the gas system.


- With control knob pressed in, press and release ignitor button on left side of log set. This will light pilot. The pilot is attached to the front of U-shaped burner. If needed, keep pressing ignitor button until pilot lights.

Note: If pilot does not stay lit, contact a qualified service person or gas supplier for repairs. Until repairs are made, light pilot with match. To light pilot with match, see Manual Lighting Procedure, page 25.


- Keep control knob pressed in for 30 seconds after lighting pilot. After 30 seconds, release control knob.

- If control knob does not pop out when released, contact a qualified service person or gas supplier for repairs.

Note: If pilot goes out, repeat steps 4 through 8.

- Slightly push in and turn control knob counterclockwise  to the ON position. If using a hand-held remote control accessory, go to Optional Hand-Held Remote Operation on page 25.
- Wait one minute and put switch in ON position to light burners.

Note: AUTO is only functional when using GWMT1 or GWMS2 optional accessories. If hand-held remote control is installed but not being used, slide remote selector switch to ON (It must be in this position for burners to light. Switch will be in REMOTE position if using hand-held remote).

- Set flame adjustment knob to any level between HI and LO.
- To leave pilot lit and shut off burners only: turn control knob clockwise  to the PILOT position, or use remote control manual OFF button, or set selector switch in the OFF position.

CAUTION: Do not try to adjust heating levels by using the equipment shutoff valve.

WARNING: Make sure the remote selector switch is in the OFF position when you are away from home for long periods of time. Heater will come on automatically with selector switch in the ON position.

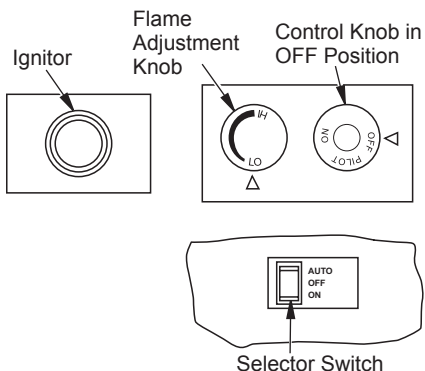


Figure 34 - Control Knob, Ignitor Button and AUTO/OFF/ON Switch

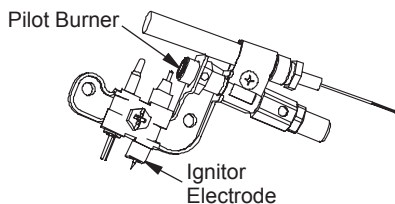



Figure 35 - Pilot (Natural)

REMOTE READY MODELS OPERATION

Continued

TO TURN OFF GAS TO APPLIANCE

1. Turn control knob clockwise  to the OFF position.
- 2a. Set switch in the OFF position.
- 2b. **If Using Optional Hand-Held Remote:** Set selector switch in the OFF position to prevent draining battery.
3. Close equipment shutoff valve (see Figure 15, page 15).

MANUAL LIGHTING PROCEDURE

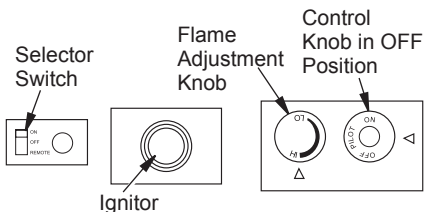
1. Follow steps 1 through 6 under *Lighting Instructions*, page 23.
2. Press control knob and light pilot with match.
3. Keep control knob pressed in for 30 seconds after lighting pilot. After 30 seconds, release control knob. Now follow steps 9 through 11, *Lighting Instructions*, page 23.

OPTIONAL HAND-HELD REMOTE OPERATION

*Note: All remote control accessories must be purchased separately (see *Accessories*, page 40). Follow instructions included with the remote control.*

NOTICE: You must light the pilot before using the hand-held remote control unit. See *Lighting Instructions* on page 23.

After lighting, let pilot flame burn for about one minute. Turn control knob to ON position. Adjust flame adjustment knob anywhere between HI and LO. Slide the selector switch to the REMOTE position (see Figure 36).



**Figure 36 - Control Knob, Ignitor Button
and Remote Selector Switch**

Note: The burner may light if hand-held remote was on when selector switch was last turned off. You can now turn burner on and off with hand-held remote control unit.

IMPORTANT: Do not leave selector switch in the REMOTE or ON position when pilot is not lit. This will drain the battery.

Note: Do not hold hand-held remote for a long time. Body temperature will affect its operation in the AUTO mode.

VARIABLE REMOTE MODELS OPERATION

FOR YOUR SAFETY READ BEFORE LIGHTING

⚠ WARNING: If you do not follow these instructions exactly, a fire or explosion may result causing property damage, personal injury or loss of life.

- A. This appliance has a pilot which must be lighted by hand. When lighting the pilot, follow these instructions exactly.
- B. **BEFORE LIGHTING** smell all around the appliance area for gas. Be sure to smell next to the floor because some gas is heavier than air and will settle on the floor.
WHAT TO DO IF YOU SMELL GAS
 - Do not try to light any appliance.
 - Do not touch any electric switch; do not use any phone in your building.
 - Immediately call your gas supplier from a neighbor's phone. Follow the gas supplier's instructions.
 - If you cannot reach your gas supplier, call the fire department.
- C. Use only your hand to push in or turn the gas control knob. Never use tools. If the knob will not push in or turn by hand, don't try to repair it, call a qualified service technician or gas supplier. Force or attempted repair may result in a fire or explosion.
- D. Do not use this appliance if any part has been under water. Immediately call a qualified service technician to inspect the appliance and to replace any part of the control system and any gas control which has been under water.

VARIABLE REMOTE MODELS OPERATION

Continued

LIGHTING INSTRUCTIONS

⚠ NOTICE: During initial operation of new fireplace, burning logs will give off a paper-burning smell. Open damper or window to vent smell. This will only last a few hours.

1. STOP! Read the safety information, column 1.
2. Make sure equipment shutoff valve is fully open.
3. Set remote selector switch in OFF position.

⚠ WARNING: Burners will come on automatically within one minute when the selector switch is in the ON position after the pilot is lit.

4. Press in and turn control knob clockwise ↻ to the OFF position.
5. Wait five (5) minutes to clear out any gas. Then smell for gas, including near the floor. If you smell gas, STOP! Follow "B" in the safety information, column 1. If you don't smell gas, go to the next step.
6. Press in and turn control knob counterclockwise ↺ to the PILOT position. Press in control knob for five (5) seconds (see Figure 37).

Note: You may be running this heater for the first time after hooking up to gas supply. If so, the control knob may need to be pressed in for 30 seconds or more. This will allow air to bleed from the gas system.

⚠ CAUTION: Do not try to adjust heating levels by using the equipment shutoff valve.

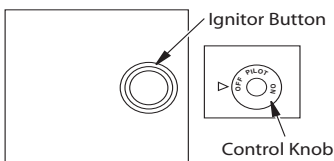


Figure 37 - Control Knob and Ignitor Button Location

7. With control knob pressed in, press and release ignitor button. This will light pilot. The pilot is attached to the front burner. If needed, keep ignitor button pressed in until pilot lights.

Note: If pilot does not stay lit, contact a qualified service person or gas supplier for repairs. Until repairs are made, light pilot with match. To light pilot with match, see Manual Lighting Procedure, page 27.

8. Keep control knob pressed in for 30 seconds after lighting pilot. After 30 seconds, release control knob.
 - If control knob does not pop out when released, contact a qualified service person or gas supplier for repairs.Note: If pilot goes out, repeat steps 4 through 8.
9. Slightly push in and turn control knob counterclockwise ↺ to the ON position.
10. Wait one minute and switch selector switch to the ON position to light burners (see Figure 38). When using in the ON position (without remote) burners will light on high. There is no adjustment to the flames without using remote.
11. To leave pilot lit and shut off burners only, turn control knob clockwise ↻ to the PILOT position, or use remote control manual OFF button, or set selector switch in the OFF position.

⚠ WARNING: Make sure the selector switch is in the OFF position when you are away from home for long periods of time. Heater will come on automatically with selector switch in the ON position.

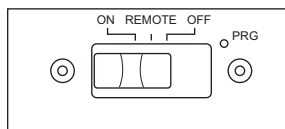


Figure 38 - Remote Selector Switch in ON Position

VARIABLE REMOTE MODELS OPERATION

Continued

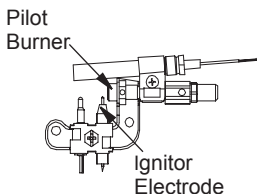



Figure 39 - Pilot (Natural/ Propane/LP)

TO TURN OFF GAS TO APPLIANCE

1. Turn control knob clockwise  to the OFF position.
2. Set selector switch in the OFF position.
3. Close equipment shutoff valve (see Figure 15, page 15).

MANUAL LIGHTING PROCEDURE

1. Follow steps 1 through 6 under [Lighting Instructions](#), page 26.
2. Depress control knob and light pilot with match.
3. Keep control knob pressed in for 30 seconds after lighting pilot. After 30 seconds, release control knob. Now follow steps 9 through 11 under [Lighting Instructions](#), page 26.

BLOWER OPERATION

⚠ WARNING: This fireplace has a three-prong, grounded electrical plug. This plug helps protect you against electrical shock. Only connect plug to a properly grounded, three-prong receptacle. Do not cut or remove the grounding prong from this plug.

Locate the blower switch by opening lower louver on fireplace. Blower switch is located at lower center inside louver door.

Note: It is safe to operate fireplace with blower turned off. However, the blower helps distribute heated air from the fireplace.

Note: Periodically check the louvers of the firebox and remove any dust, dirt or other obstructions.

HAND-HELD REMOTE OPERATION

BATTERIES

⚠ WARNING: Make sure your selector switch is in OFF position before installing or changing batteries in your hand-held remote or receiver.

For installing or replacing batteries in remote control or receiver, see [Installing Batteries in Remote Control and Receiver](#) on page 17.

Low Battery - Hand-Held Remote Control

When batteries in hand-held remote control are low, an icon will appear on display.

Low Battery - Remote Receiver

When batteries in receiver are low, no acoustic signal will be given when ON/OFF button is pressed. If batteries in receiver are low, fireplace can be switched on manually by moving remote selector switch to ON (see Figure 40).

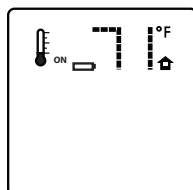


Figure 40 - Low Battery Display

FAHRENHEIT/CELSIUS INDICATOR

You can set your hand-held remote control to display the temperature in either Fahrenheit or Celsius. With remote control off, press THERMOSTAT button and MODE button at the same time. This will toggle the display from °F to °C.

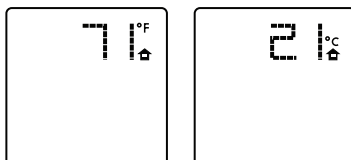


Figure 41 - Remote Control Display Fahrenheit to Celsius

VARIABLE REMOTE MODELS OPERATION

Continued

OPERATING REMOTE CONTROL

⚠ WARNING: Fireplace can turn on suddenly. Keep away from burner.

After lighting pilot, let pilot flame burn for about one minute. Slide remote selector switch to REMOTE position. You can now turn burner on and off with remote.

IMPORTANT: Do not leave selector switch in REMOTE or ON position when pilot is not lit. This will drain batteries.

When any button is pushed on remote control, LCD display will glow blue. Blue glow will go off after several seconds if no action is being taken with remote.

ON/OFF

Push ON/OFF button and burners will come on in high position (see Figure 42). An acoustic signal from the receiver confirms the command.

Push ON/OFF button again and burners will turn off. A beep from receiver confirms the command.

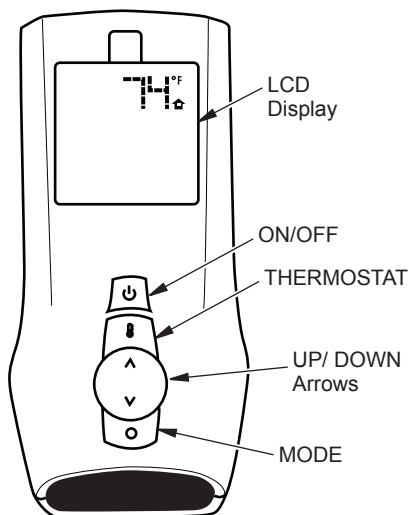


Figure 42 - Hand-Held Remote Control

FLAME HEIGHT

This function allows you to control height of flames through 5 levels (see Figure 43). Select manual flame height function by pressing MODE button until a flame is shown in lower left corner of display. Use UP/DOWN arrow button to set desired flame height (see Figure 42). A beep from receiver confirms the command.

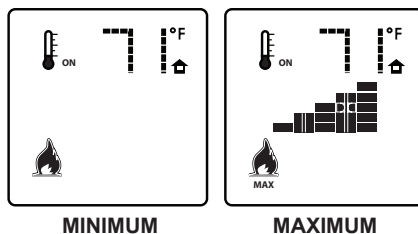


Figure 43 - Remote Control Display of Flame Height Minimum and Maximum

ROOM THERMOSTAT

The remote control can operate as a room thermostat. The thermostat can be set to a desired temperature to control the comfort level in the room.

To activate, press THERMOSTAT button on remote control (see Figure 42). The word ON will appear to the right of temperature bulb graphic on display (see Figure 44). Use UP/DOWN arrow button to set desired room temperature. Control system will cycle fireplace on or off to maintain selected temperature.

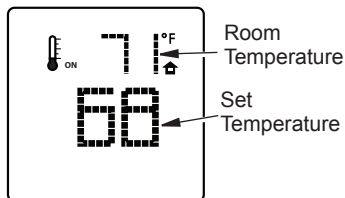


Figure 44 - Room Temperature Setting

SMART THERMOSTAT

The Smart Thermostat adjusts flame height in accordance to differences between set temperature and room temperature. As room temperature gets closer to set temperature the smart function will modulate the flame lower. As room temperature cools, it will modulate the flame higher.

VARIABLE REMOTE MODELS OPERATION

Continued

To activate this function, press THERMOSTAT button until the word SMART appears to the right of temperature bulb graphic on display. Use UP/DOWN arrow button to set desired room temperature. The control system will cycle the fireplace on or off to maintain selected temperature.

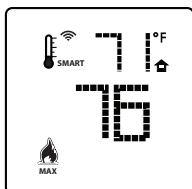


Figure 45 - Smart Thermostat Setting

CHILD SAFETY LOCK-OUT

This function lets you deactivate the remote control buttons. It is active when the lock icon is lit on the display.

To activate, press MODE button and UP arrow button at the same time. To deactivate, press again.

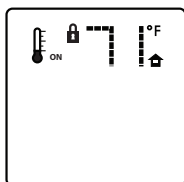


Figure 46 - Child Safety Lock-Out

REPLACING HAND-HELD REMOTE CONTROL ONLY

If your remote ever needs to be replaced you will not need to replace the receiver.

To program receiver with a new hand-held remote, insert a small pin or paper clip into hole on receiver face plate marked PRG. The receiver will beep 3 times to indicate it is ready to accept a new remote transmitter. Press the ON/OFF button on your remote and the receiver will beep 4 times to confirm it receives commands from the new remote.

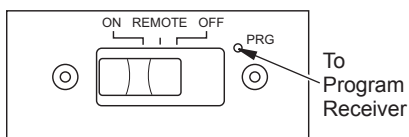


Figure 47 - Programming Remote Control to Receiver

INSPECTING BURNERS

Check pilot flame pattern and burner flame patterns often.

PILOT FLAME PATTERN

Figure 48 shows a correct pilot flame pattern. Figure 49 shows an incorrect pilot flame pattern. The incorrect pilot flame is not touching the thermocouple. This will cause the thermocouple to cool. When the thermocouple cools, the heater will shut down.

If pilot flame pattern is incorrect, as shown in Figure 49

- turn heater off (see [To Turn Off Gas to Appliance](#), page 27)
- see [Troubleshooting](#), page 32

Note: The pilot flame on natural gas units will have a slight curve, but flame should be blue and have no yellow or orange color.

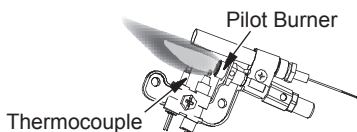


Figure 48 - Correct Pilot Flame Pattern

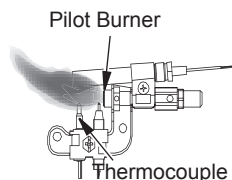


Figure 49 - Incorrect Pilot Flame Pattern

CLEANING AND MAINTENANCE

⚠ WARNING: Turn off heater and let cool before cleaning.

⚠ CAUTION: You must keep control areas, burners and circulating air passageways of heater clean. Inspect these areas of heater before each use. Have heater inspected yearly by a qualified service person. Heater may need more frequent cleaning due to excessive lint from carpeting, pet hair, bedding material, etc.

⚠ WARNING: Failure to keep the primary air opening(s) of the burner(s) clean may result in sooting and property damage.

BURNER INJECTOR HOLDER AND PILOT AIR INLET HOLE

The primary air inlet holes allow the proper amount of air to mix with the gas. This provides a clean burning flame. Keep these holes clear of dust, dirt, lint and pet hair. Clean these air inlet holes prior to each heating season. Blocked air holes will create soot. We recommend that you clean the unit every three months during operation and have heater inspected yearly by a qualified service person.

We also recommend that you keep the burner tube and pilot assembly clean and free of dust and dirt. To clean these parts we recommend using compressed air no greater than 30 PSI. Your local computer store, hardware store or home center may carry compressed air in a can. If using compressed air in a can, please follow the directions on the can. If you don't follow directions on the can, you could damage the pilot assembly.

1. Shut off unit, including pilot. Allow unit to cool for at least thirty minutes.
2. Inspect burner, pilot and primary air inlet holes on injector holder for dust and dirt (see Figure 50).
3. Blow air through the ports/slots and holes in the burner.
4. Check injector holder located at end of burner tube again. Remove any large particles of dust, dirt, lint or pet hair with a soft cloth or vacuum cleaner nozzle.

5. Blow air into the primary air holes on the injector holder.
6. In case any large clumps of dust have now been pushed into the burner repeat steps 3 and 4.

Clean pilot assembly also. Additional cleaning may be needed for proper pilot operation based on use/lack of use. A yellow tip on the pilot flame may indicate dust and dirt in the pilot assembly. There is a small pilot air inlet hole about from where the pilot flame comes out of pilot assembly (see Figure 51). With unit off, lightly blow air through air inlet hole. You may blow through a drinking straw if compressed air is not available.

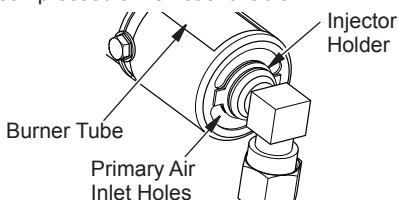


Figure 50 - Injector Holder On Outlet Burner Tube

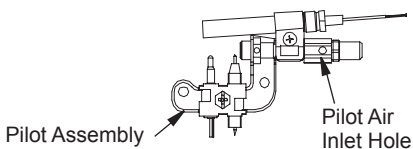


Figure 51 - Pilot Inlet Air Hole (Your pilot may vary from pilot shown)

LOGS

- If you remove logs for cleaning, refer to [Installing Logs Embers and Lava Rock](#), page 18, to properly replace logs.
- Replace log(s) if broken or chipped (dime-sized or larger).

MAIN BURNER

Periodically inspect all burner flame holes with heater running. All slotted burner flame holes should be open with flame present. All round burner flame holes should be open with a small blue flame present. Some burner flame holes may become blocked by debris or rust, with no flame present. If so, turn off heater and let cool. Remove blockage, blocked burner flame holes will create soot.

⚠ WARNING: The injector holders (air shutters) are not adjustable. Do not move injector holders from their original positions.

SPECIFICATIONS

MF42INR, MF42INV, MF48INR AND MF48INV

- Rating (Variable): 29,000/40,000 Btu/Hr
- Type Gas: Natural
- Ignition: Electronic
- Manifold Pressure: 3.4" W.C.
- Inlet Gas Pressure (in. of water):
Max - 10.5" W.C., Min* - 5" W.C.

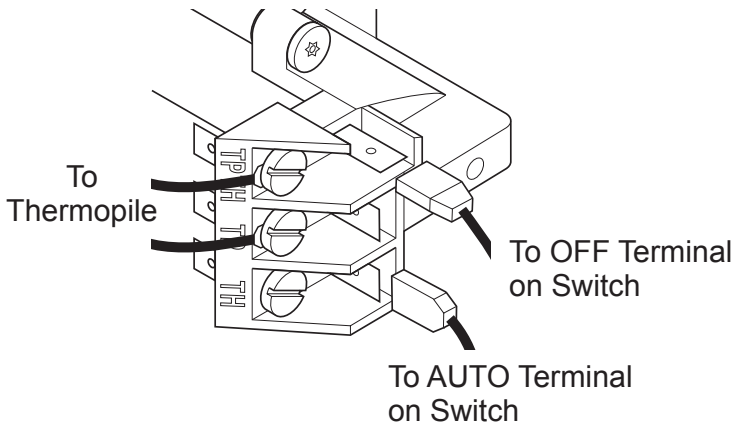
*For purpose of input adjustment

MF42IPR, MF42IPV, MF48IPR, AND MF48IPV

- Rating (Variable): 29,000/40,000 Btu/Hr
- Type Gas: Propane/LP
- Ignition: Electronic
- Manifold Pressure: 7.9" W.C.
- Inlet Gas Pressure (in. of water):
Max - 14" W.C., Min* - 11" W.C.

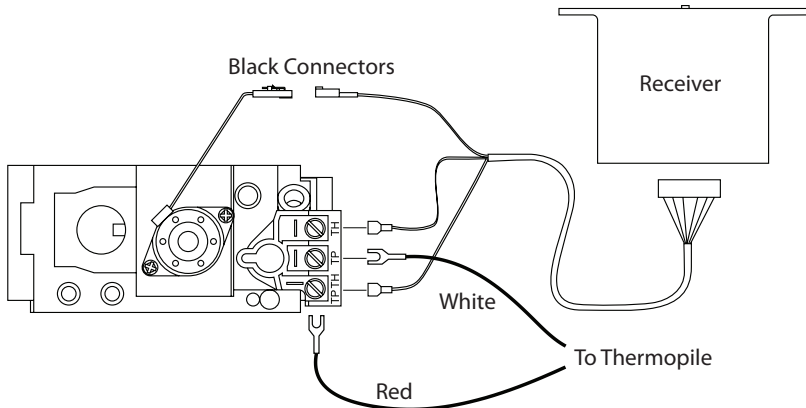
*For purpose of input adjustment

WIRING DIAGRAM (REMOTE READY MODELS)



WIRING DIAGRAM (VARIABLE CONTROL MODELS)

Note: For proper operation of remote control, wires from thermopile to control receiver must be connected exactly as shown.



TROUBLESHOOTING

 **WARNING:** Turn off heater and let cool before servicing. Only a qualified service person should service and repair heater.

 **CAUTION:** Never use a wire, needle or similar object to clean ODS/pilot. This can damage ODS/pilot unit.

Note: All troubleshooting items are listed in order of operation.

| OBSERVED PROBLEM | POSSIBLE CAUSE | REMEDY |
|---|---|---|
| Embers won't stay on burner | 1. Ember placement | 1. Overlap ember material 1/4" (see page 18) |
| When ignitor button is pressed, there is no spark at ODS/pilot | 1. Ignitor electrode not connected to ignitor cable 2. Ignitor cable pinched or wet 3. Broken ignitor cable 4. Bad ignitor 5. Ignitor electrode positioned wrong 6. Ignitor electrode broken 7. Battery not installed, battery power low or battery not installed correctly (electronic ignition models only) | 1. Reconnect ignitor cable 2. Free ignitor cable if pinched by any metal or tubing. Keep ignitor cable dry 3. Replace ignitor cable 4. Replace ignitor 5. Replace pilot assembly 6. Replace pilot assembly 7. Install new alkaline battery in electronic ignitor. Verify battery is installed correctly |
| When ignitor button is pressed, there is spark at ODS/pilot but no ignition | 1. Gas supply turned off or equipment shutoff valve closed 2. Control knob not in PILOT position 3. Control knob not pressed in while in PILOT position 4. Air in gas lines when installed 5. Depleted gas supply (propane/LP only) 6. ODS/pilot is clogged 7. Gas regulator setting is not correct | 1. Turn on gas supply or open equipment shutoff valve 2. Turn control knob to PILOT position 3. Press in control knob while in PILOT position 4. Continue holding down control knob. Repeat igniting operation until air is removed 5. Contact local propane/LP gas company 6. Clean ODS/pilot (see <i>Cleaning and Maintenance</i> , page 30) or replace ODS/pilot assembly 7. Replace gas regulator |

TROUBLESHOOTING

Continued

| OBSERVED PROBLEM | POSSIBLE CAUSE | REMEDY |
|--|---|--|
| <p>ODS/pilot lights but flame goes out when control knob is released</p> | <ol style="list-style-type: none"> 1. Control knob not fully pressed in 2. Control knob not pressed in long enough 3. Safety interlock system has been triggered 4. Equipment shutoff valve not fully open 5. Pilot flame not touching thermocouple, which allows thermocouple to cool, causing pilot flame to go out. This problem could be caused by one or both of the following: A) Low gas pressure B) Dirty or partially clogged ODS/pilot 6. Thermocouple connection loose at control valve 7. Thermocouple damaged 8. Control valve damaged | <ol style="list-style-type: none"> 1. Press in control knob fully 2. After ODS/pilot lights, keep control knob pressed in 30 seconds 3. Wait one minute for safety interlock system to reset. Repeat ignition operation 4. Fully open equipment shut-off valve 5. A) Contact local natural or propane/LP gas company B) Clean ODS/pilot (see <u><i>Cleaning and Maintenance</i></u>, page 30) or replace ODS/pilot assembly 6. Hand tighten until snug, then tighten 1/4 turn more 7. Replace pilot assembly 8. Replace control valve |
| <p>One or both burners do not light after ODS/pilot is lit</p> | <ol style="list-style-type: none"> 1. Inlet gas pressure is too low 2. Burner orifice(s) clogged 3. Thermopile leads disconnected or improperly connected. 4. Remote selector in OFF position 5. Wire disconnected from gas control | <ol style="list-style-type: none"> 1. Contact local natural or propane/LP gas company 2. Clean burner(s) (see <u><i>Cleaning and Maintenance</i></u>, page 30) or replace burner orifice(s) 3. Reconnect leads see <u><i>wiring diagram</i></u>, page 30 4. Put remote selector in ON position 5. See <u><i>Wiring Diagram</i></u>, page 31 |
| <p>Delayed ignition of one or both burners</p> | <ol style="list-style-type: none"> 1. Manifold pressure is too low 2. Burner orifice(s) clogged 3. Mislocated crossover tube | <ol style="list-style-type: none"> 1. Contact local natural or propane/LP gas company 2. Clean burner(s) (see <u><i>Cleaning and Maintenance</i></u>, page 30) or replace burner orifice(s) 3. Contact qualified service person |
| <p>Burner backfiring during combustion</p> | <ol style="list-style-type: none"> 1. Burner orifice is clogged or damaged 2. Damaged burner 3. Gas regulator defective | <ol style="list-style-type: none"> 1. Clean burner (see <u><i>Cleaning and Maintenance</i></u>, page 30) or replace burner orifice 2. Replace damaged burner 3. Replace gas regulator |

TROUBLESHOOTING

Continued

| OBSERVED PROBLEM | POSSIBLE CAUSE | REMEDY |
|--|---|--|
| Yellow flame in front burner during burner combustion | <ol style="list-style-type: none"> 1. Not enough air 2. Gas regulator defective | <ol style="list-style-type: none"> 1. Check burner(s) for dirt and debris. If found, clean burner(s) (see <i>Cleaning and Maintenance</i>, page 30) 2. Replace gas regulator |
| Slight smoke or odor during initial operation | <ol style="list-style-type: none"> 1. Residues from manufacturing processes and logs curing | <ol style="list-style-type: none"> 1. Problem will stop after a few hours of operation |
| Heater produces a whistling noise when burners are lit | <ol style="list-style-type: none"> 1. Turning control knob to HI position when burners are cold 2. Air in gas line 3. Air passageways on heater blocked 4. Dirty or partially clogged burner orifice(s) | <ol style="list-style-type: none"> 1. Turn control knob to LO position and let warm up for a minute 2. Operate burners until air is removed from line. Have gas line checked by local natural or propane/LP gas company 3. Observe minimum installation clearances (see pages 9 through 11) 4. Clean burners (see <i>Cleaning and Maintenance</i>, page 30) or replace burner orifice(s) |
| White powder residue forming within burner box or on adjacent walls or furniture | <ol style="list-style-type: none"> 1. When heated, vapors from furniture polish, wax, carpet cleaners, etc. may turn into white powder residue | <ol style="list-style-type: none"> 1. Turn heater off when using furniture polish, wax, carpet cleaners or similar products |
| Moisture/condensation noticed on windows | <ol style="list-style-type: none"> 1. Not enough combustion/ventilation air | <ol style="list-style-type: none"> 1. Refer to <i>Air for Combustion and Ventilation</i> requirements (page 6) |
| Remote does not function (Remote-Ready Models Only) | <ol style="list-style-type: none"> 1. Battery is not installed. Battery power is low | <ol style="list-style-type: none"> 1. Replace 9-volt batteries in receiver and hand-held remote |
| Heater produces a clicking/ticking noise just after burners are lit or shut off | <ol style="list-style-type: none"> 1. Metal expanding while heating or contracting while cooling 2. Wire connection loose or wire broken | <ol style="list-style-type: none"> 1. This is normal with most heaters. If noise is excessive, contact qualified service person 2. Check wiring connections (see <i>wiring diagram</i>, page 31). Replace wire harness if necessary. |

TROUBLESHOOTING

Continued



WARNING: If you smell gas

- Shut off gas supply.
- Do not try to light any appliance.
- Do not touch any electrical switch; do not use any phone in your building.
- Immediately call your gas supplier from a neighbor's phone. Follow the gas supplier's instructions.
- If you cannot reach your gas supplier, call the fire department.

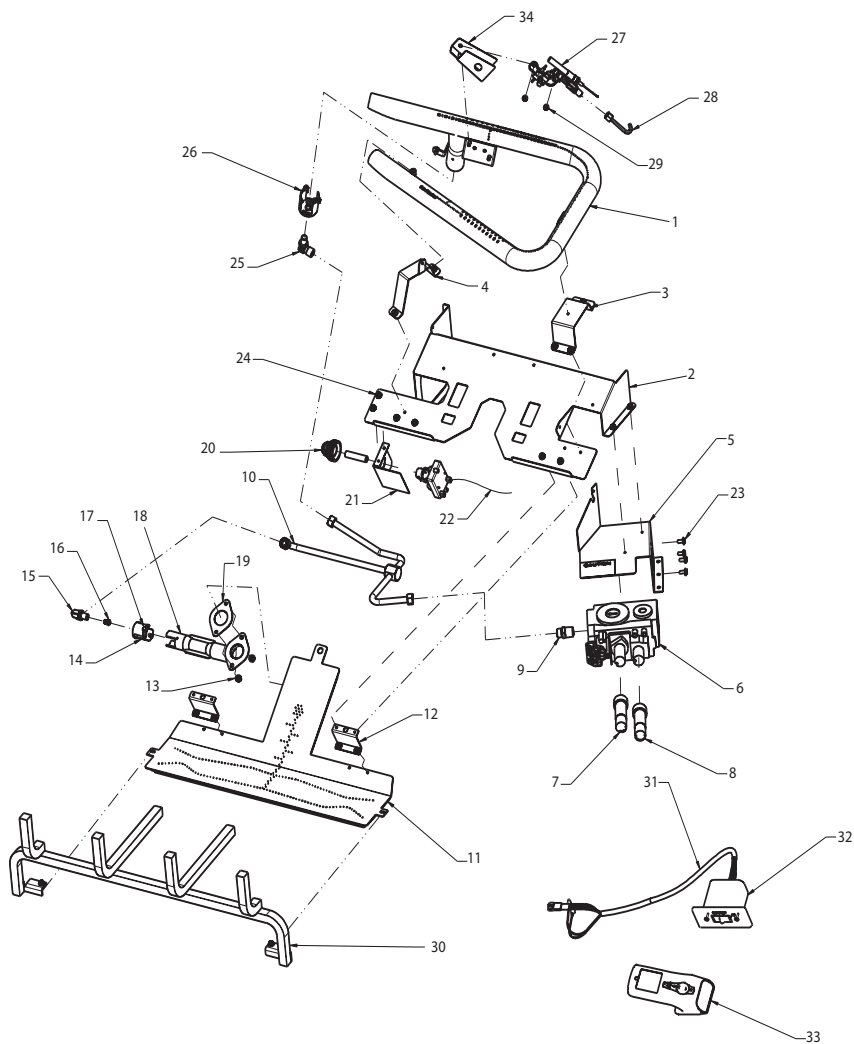
IMPORTANT: Operating heater where impurities in air exist may create odors. Cleaning supplies, paint, paint remover, cigarette smoke, cements and glues, new carpet or textiles, etc., create fumes. These fumes may mix with combustion air and create odors. These odors will disappear over time.

| OBSERVED PROBLEM | POSSIBLE CAUSE | REMEDY |
|--|--|---|
| Heater produces unwanted odors | <ol style="list-style-type: none">1. Heater burning vapors from paint, hair spray, glues, cleaners, chemicals, new carpet, etc. (See <i>IMPORTANT</i> statement above)2. Low fuel supply (propane/LP only)3. Gas leak. See Warning statement at top of page | <ol style="list-style-type: none">1. Open window to ventilate room. Stop using odor causing products while heater is running2. Refill supply tank (propane/LP only)3. Locate and correct all leaks (see <i>Checking Gas Connections</i>, page 15) |
| Heater shuts off in use (ODS operates) | <ol style="list-style-type: none">1. Not enough fresh air is available2. Low line pressure3. ODS/pilot is partially clogged | <ol style="list-style-type: none">1. Open window and/or door for ventilation2. Contact local natural or propane/LP gas company3. Clean ODS/pilot (see <i>Cleaning and Maintenance</i>, page 30) |
| Gas odor even when control knob is in OFF position | <ol style="list-style-type: none">1. Gas leak. See Warning statement at top of page2. Control valve or gas control defective | <ol style="list-style-type: none">1. Locate and correct all leaks (see <i>Checking Gas Connections</i>, page 15)2. Replace control valve or gas control |
| Gas odor during combustion | <ol style="list-style-type: none">1. Foreign matter between control valve and burner2. Gas leak. See Warning statement at top of page | <ol style="list-style-type: none">1. Take apart gas tubing and remove foreign matter2. Locate and correct all leaks (see <i>Checking Gas Connections</i>, page 15) |
| Log set cycles to pilot, but room temperature drops to a lower than ideal level before log set comes back on | <ol style="list-style-type: none">1. Hand-held remote control is too close to heater | <ol style="list-style-type: none">1. Move hand-held remote control unit farther away from the heater |

PARTS

REMOTE-READY VARIABLE CONTROL MODELS

MF42INR, MF42IPR, MF48INR, MF48IPR, MF42INV, MF42IPV, MF48INV, MF48IPV



PARTS

REMOTE-READY VARIABLE CONTROL MODELS

MF42INR, MF42IPR, MF48INR, MF48IPR, MF42INV, MF42IPV, MF48INV, MF48IPV

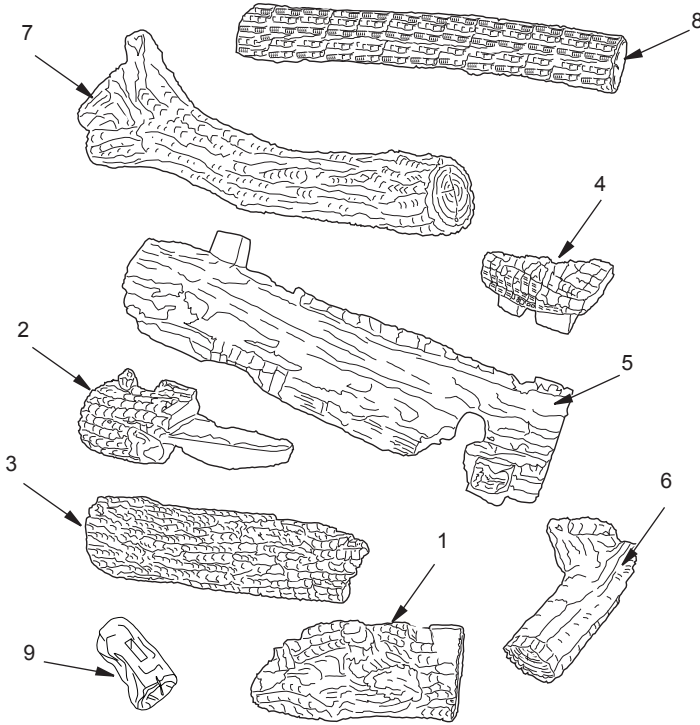
This list contains replaceable parts used in your heater. When ordering parts, follow the instructions listed under Replacement Parts on page 39 of this manual.

| KEY NO. | PART NO. | DESCRIPTION | MF42INR | MF42IPR | MF48INR | MF48IPR | MF42INV | MF42IPV | MF48INV | MF48IPV | QTY. |
|---------|-----------|----------------------------------|---------|---------|---------|---------|---------|---------|---------|---------|------|
| 1 | 125219-01 | Burner MF Dual Yellow Flame | • | • | • | • | • | • | • | • | 1 |
| 2 | 125022-02 | Base | • | • | • | • | • | • | • | • | 1 |
| 3 | 125213-01 | Bracket Right Burner | • | • | • | • | • | • | • | • | 1 |
| 4 | 125213-02 | Bracket Left Burner | • | • | • | • | • | • | • | • | 1 |
| 5 | 125021-01 | Bracket Remote Valve | • | • | • | • | • | • | • | • | 1 |
| 6 | 103781-01 | Gas Valve, NG | • | • | | | | | | | 1 |
| | 103781-02 | Gas Valve, LP | | • | | • | | | | | 1 |
| | 111440-03 | Valve, Remote (w/Stepper Mt.) NG | | | | | • | | • | | 1 |
| | 111440-04 | Valve, Remote (w/Stepper Mt.) LP | | | | | | • | | • | 1 |
| 7 | 103784-01 | Knob Short Extension (Pilot) | • | • | • | • | • | • | • | • | 1 |
| 8 | 103784-02 | Knob Short Extension (HI-LO) | • | • | • | • | | | | | 1 |
| 9 | 098264-02 | Male Connector | • | • | • | • | • | • | • | • | 1 |
| 10 | 125559-01 | Tube Inlet | • | • | • | • | • | • | • | • | 1 |
| 11 | 125247-01 | Asm Pan Burner | • | • | • | • | • | • | • | • | 1 |
| 12 | 125023-01 | Bracket Front Burner | • | • | • | • | • | • | • | • | 2 |
| 13 | 097384-01 | Nut Captive Washer | • | • | • | • | • | • | • | • | 2 |
| 14 | 112829-02 | Air Shutter | • | • | • | • | • | • | • | • | 1 |
| 15 | 124933-01 | Orifice Holder 90 Degree | • | • | • | • | • | • | • | • | 1 |
| 16 | 099056-46 | Orifice .051 (Pan) | • | • | • | • | • | • | • | • | 1 |
| | 099046-45 | Orifice .028 (Pan) | | | • | • | • | • | • | • | 1 |
| 17 | M11084-38 | Screw, HWH AB 8-18 X .38 | • | • | • | • | • | • | • | • | 4 |
| 18 | 119321-01 | Venturi Tube | • | • | • | • | • | • | • | • | 1 |
| 19 | 119795-01 | Burner Gasket | • | • | • | • | • | • | • | • | 1 |
| 20 | 111435-01 | Ignitor, Electronic | • | • | • | • | • | • | • | • | 1 |
| 21 | 125019-01 | Bracket Ignitor | • | • | • | • | • | • | • | • | 1 |
| 22 | 098271-12 | Cable Ignitor | • | • | • | • | • | • | • | • | 1 |
| 23 | M12461-26 | Screw HX SLT WSR 10-32 x 3/8 | • | • | • | • | • | • | • | • | 4 |
| 24 | M11084-26 | Screw HWH AB 10-16 X .38 | • | • | • | • | • | • | • | • | 22 |
| 25 | 111819-03 | Orifice Elbow P53 95 420 (Rear) | • | • | • | • | • | • | • | • | 1 |
| | 111819-04 | Orifice Elbow P52 85 1000 (Rear) | • | • | • | • | • | • | • | • | 1 |
| 26 | 116559-03 | Air Shutter | • | • | • | • | • | • | • | • | 1 |
| | 116559-04 | Air Shutter | • | • | • | • | • | • | • | • | 1 |
| 27 | 125339-01 | Pilot ODS LP Copreci # 231 | • | • | • | • | • | • | • | • | 1 |
| | 125339-02 | Pilot ODS NG Copreci # 240 | • | • | • | • | • | • | • | • | 1 |
| 28 | 099387-09 | Tube Pilot | • | • | • | • | • | • | • | • | 1 |
| 29 | 098249-01 | Nut ODS | • | • | • | • | • | • | • | • | 2 |
| 30 | 125515-01 | Grate MF42 | • | • | • | • | • | • | • | • | 1 |
| | 125515-02 | Grate MF48 | | | • | • | | | • | • | 1 |
| 31 | 121129-04 | Wire Harness, Proflame | | | | | • | • | • | • | 1 |
| 32 | 121129-05 | Proflame Receiver Kit | | | | | • | • | • | • | 1 |
| 33 | 121129-01 | Remote, Proflame | | | | | • | • | • | • | 1 |
| 34 | 125561-01 | Bracket Pilot MF42 | | • | | • | • | • | • | • | 1 |

PARTS

LOG SETS FOR MODELS MF42INR, MF42IPR, MF48INR, MF48IPR, MF42INV, MF42IPV, MF48INV, MF48IPV

This list contains replaceable parts used in your heater. When ordering parts, follow the instructions listed under Replacement Parts on page 39 of this manual.



| KEY NO. | MF42I(N,P)(R,V) | | MF48I(N,P)(R,V) | | DESCRIPTION | QTY |
|---------|-----------------|---------------|-----------------|---------------|----------------------------|-----|
| | Part Number | Log ID Number | Part Number | Log ID Number | | |
| 1 | 125573-01 | D-019 | 125591-01 | D-027 | Log, Front Right | 1 |
| 2 | 125573-02 | D-018 | 125591-02 | D-026 | Log, Back Left | 1 |
| 3 | 125573-03 | D-017 | 125591-03 | D-025 | Log, Front Left | 1 |
| 4 | 125573-04 | D-020 | 125573-04 | D-020 | Log, Charred | 1 |
| 5 | 125573-05 | D-021 | 125591-04 | D-028 | Log, Middle Split | 1 |
| 6 | 125573-06 | D-022 | 125573-06 | D-022 | Log, Right Split Crossover | 1 |
| 7 | 125573-07 | D-024 | 125573-07 | D-024 | Log, Front Top | 1 |
| 8 | 125573-08 | D-023 | 125591-06 | D-029 | Log, Back Top | 1 |
| 9 | 125538-01 | None | 125538-01 | None | Log, Switch | 1 |

Each log includes a reference number. The first number indicates the order it is placed on the burner assembly. The next two numbers indicate the set size.

PARTS

This list contains replaceable parts used in your heater. When ordering parts, follow the instructions listed under Replacement Parts below.

PARTS AVAILABLE, NOT SHOWN - ALL MODELS

| | | |
|-----------|----------------------------|---|
| 100563-01 | Warning Plate | 1 |
| 103877-01 | Lighting Instruction Plate | 1 |
| 100639-12 | Caution Decal | 1 |
| 101137-02 | Hardware Kit | 1 |
| GA6060 | Lava Rock | 1 |
| 120466-01 | Flextube with Fitting | 1 |
| 125071-01 | Rockwool Embers | 1 |
| 125070-01 | Platinum Bright Embers Kit | 1 |
| 099998-01 | Fan Switch | 1 |
| 103284-11 | Wire Harness | 1 |
| 103284-10 | Wire Harness | 1 |

REPLACEMENT PARTS

Note: Use only original replacement parts. This will protect your warranty coverage for parts replaced under warranty.

Contact authorized dealers of this product. If they can't supply original replacement part(s), call FMI PRODUCTS, LLC at 1-866-328-4537.

When calling, have ready:

- your name
- your address
- model and serial numbers of your heater
- how heater was malfunctioning
- purchase date

Usually, we will ask you to return the part to the factory.

SERVICE HINTS

When Gas Pressure Is Too Low

- pilot will not stay lit
- burners will have delayed ignition
- heater will not produce specified heat
- propane/LP gas supply may be low

You may feel your gas pressure is too low. If so, contact your local propane/LP or natural gas supplier.

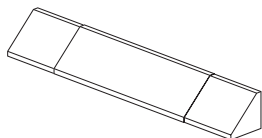
TECHNICAL SERVICE

You may have further questions about installation, operation or troubleshooting. If so, contact FMI PRODUCTS, LLC at 1-866-328-4537. When calling please have your model and serial numbers of your heater ready.

You can also visit our web site at www.fmiproducts.com.

ACCESSORIES

Purchase these heater accessories from your local dealer. If they can not supply these accessories, call FMI PRODUCTS, LLC at 1-866-328-4537 for referral information. You can also write to the address listed on the back page of this manual.

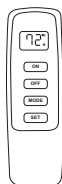


FIREPLACE HOOD

Black - GA6050

Antique Brass - GA6053

For all models. Helps deflect heat away from mantel or wall above fireplace. Fits openings 28" to 48" wide.



RECEIVER AND HAND-HELD THERMOSTAT REMOTE CONTROL KIT - TRC (REMOTE READY MODELS ONLY)

For all remote-ready models. Allows the fireplace to be operated in a manually or thermostatically controlled mode. You can turn the fireplace on and off without ever leaving the comfort of your easy chair.



RECEIVER AND HAND-HELD REMOTE CONTROL KIT - MRC (REMOTE READY MODELS ONLY)

For all models. Allows the fireplace to be turned on and off by using a hand-held remote control.

WALL-MOUNT THERMOSTAT SWITCH - GWMT1 (REMOTE READY MODELS ONLY)

For all models. The desired comfort setting can be selected on the wall thermostat and the log heater will automatically cycle from pilot to the heat setting selected.

WALL-MOUNT ON/OFF SWITCH GWMS2 (REMOTE READY MODELS ONLY)

For all models. Allows the gas log heater to be turned on and off with a wall switch.

DAMPER CLAMP - GA6080

For all models. Permanently opens chimney flue damper for vented operation.

LAVA ROCK - GA6060

For all models. Order when additional rock is desired.

FLOOR MEDIA KIT - FM100

For all models. Includes lava rock, burner embers, and burner cinders.

CONTROL COVER KIT - CC100

For all models. Includes control cover log and 6 unique fall-away logs.

WARRANTY

KEEP THIS WARRANTY

Model (located on product or identification tag) _____

Serial No. (located on product or identification tag) _____

Date Purchased _____

Keep receipt for warranty verification.

FMI PRODUCTS, LLC LIMITED WARRANTIES

New Products

Standard Warranty: FMI PRODUCTS, LLC warrants this new product and any parts thereof to be free from defects in material and workmanship for a period of four (4) years from the date of first purchase from an authorized dealer provided the product has been installed, maintained and operated in accordance with FMI PRODUCTS, LLC's warnings and instructions.

For products purchased for commercial, industrial or rental usage, this warranty is limited to 90 days from the date of first purchase.

Factory Reconditioned Products

Limited Warranty: FMI PRODUCTS, LLC warrants factory reconditioned products and any parts thereof to be free from defects in material and workmanship for 30 days from the date of first purchase from an authorized dealer provided the product has been installed, maintained and operated in accordance with FMI PRODUCTS, LLC's warnings and instructions.

Terms Common to All Warranties

The following terms apply to all of the above warranties:

Always specify model number and serial number when contacting the manufacturer. To make a claim under this warranty the bill of sale or other proof of purchase must be presented.

This warranty is extended only to the original retail purchaser when purchased from an authorized dealer, and only when installed by a qualified installer in accordance with all local codes and instructions furnished with this product.

This warranty covers the cost of part(s) required to restore this product to proper operating condition and an allowance for labor when provided by a FMI PRODUCTS, LLC Authorized Service Center or a provider approved by FMI PRODUCTS, LLC. Warranty parts must be obtained through authorized dealers of this product and/or FMI PRODUCTS, LLC who will provide original factory replacement parts. Failure to use original factory replacement parts voids this warranty.

Travel, handling, transportation, diagnostic, material, labor and incidental costs associated with warranty repairs, unless expressly covered by this warranty, are not reimbursable under this warranty and are the responsibility of the owner.

Excluded from this warranty are products or parts that fail or become damaged due to misuse, accidents, improper installation, lack of proper maintenance, tampering, or alteration(s).

This is FMI PRODUCTS, LLC's exclusive warranty, and to the full extent allowed by law; this express warranty excludes any and all other warranties, express or implied, written or verbal and limits the duration of any and all implied warranties, including warranties of merchantability and fitness for a particular purpose to four (4) years on new products and 30 days on factory reconditioned products from the date of first purchase. FMI PRODUCTS, LLC makes no other warranties regarding this product.

FMI PRODUCTS, LLC's liability is limited to the purchase price of the product, and FMI PRODUCTS, LLC shall not be liable for any other damages whatsoever under any circumstances including indirect, incidental, or consequential damages.

Some states do not allow limitations on how long an implied warranty lasts or the exclusion or limitation of incidental or consequential damages, so the above limitation or exclusion may not apply to you.

This warranty gives you specific legal rights, and you may also have other rights which vary from state to state.

For information about this warranty contact:


FMI PRODUCTS, LLC
2701 S. Harbor Blvd.
Santa Ana, CA 92704
1-866-328-4537
www.fmiproducts.com

125568-01
Rev. A
08/10