



**FMI PRODUCTS, LLC**

**UNVENTED (VENT-FREE) INFRARED GAS HEATER  
SAFETY INFORMATION AND INSTALLATION MANUAL**



**MODELS**

**GWRP16C, GWRN18C, GWRP26C, GWRN30C,  
GWRP16TC, GWRN18TC, GWRP26TC, GWRN30TC  
VSHRP16M, VSHRP16T, VSHRN18M, VSHRN18T,  
VSHRP26M, VSHRP26T, VSHRN30M, AND VSHRN30T**

**⚠ WARNING:** If the information in this manual is not followed exactly, a fire or explosion may result causing property damage, personal injury or loss of life.

- Do not store or use gasoline or other flammable vapors and liquids in the vicinity of this or any other appliance.
- **WHAT TO DO IF YOU SMELL GAS**
  - Do not try to light any appliance.
  - Do not touch any electrical switch; do not use any phone in your building.
  - Immediately call your gas supplier from a neighbor's phone. Follow the gas supplier's instructions.
  - If you cannot reach your gas supplier, call the fire department.
- Installation and service must be performed by a qualified installer, service agency or the gas supplier.

**INSTALLER:** Leave this manual with the appliance.  
**CONSUMER:** Retain this manual for future reference.

## TABLE OF CONTENTS

Safety .....	2	Specifications .....	18
Local Codes.....	4	Troubleshooting.....	19
Product Identification.....	4	Parts .....	22
Unpacking.....	4	Accessories .....	27
Product Features .....	4	Replacement Parts .....	27
Air For Combustion and Ventilation.....	5	Service Publications .....	27
Installation .....	7	Service Hints .....	27
Operation.....	14	Technical Service.....	27
Inspecting Heater .....	17	Warranty.....	Back Cover
Cleaning and Maintenance.....	17		

## SAFETY

**⚠ WARNING:** Improper installation, adjustment, alteration, service or maintenance can cause injury or property damage. Refer to this manual for correct installation and operational procedures. For assistance or additional information consult a qualified installer, service agency or the gas supplier.

**This appliance may be installed in an aftermarket,\* permanently located, manufactured (mobile) home, where not prohibited by local codes.**

\* Aftermarket: Completion of sale, not for purpose of resale, from the manufacturer

**⚠ WARNING:** This is an unvented gas-fired heater. It uses air (oxygen) from the room in which it is installed. Provisions for adequate combustion and ventilation air must be provided. **Refer to *Air for Combustion and Ventilation* section on page 5 of this manual.**

**⚠ WARNING:** This product contains and/or generates chemicals known to the State of California to cause cancer or birth defects or other reproductive harm.

**IMPORTANT:** Read this owner's manual carefully and completely before trying to assemble, operate or service this heater. Improper use of this heater can cause serious injury or death from burns, fire, explosion, electrical shock and carbon monoxide poisoning.

**This appliance is only for use with the type of gas indicated on the rating plate. This appliance is not convertible for use with other gases.**

**⚠ DANGER:** Carbon monoxide poisoning may lead to death!

**Carbon Monoxide Poisoning:** Early signs of carbon monoxide poisoning resemble the flu, with headaches, dizziness or nausea. If you have these signs, the heater may not be working properly. **Get fresh air at once!** Have heater serviced. Some people are more affected by carbon monoxide than others. These include pregnant women, people with heart or lung disease or anemia, those under the influence of alcohol and those at high altitudes.

# SAFETY

## Continued

**Natural and Propane/LP Gas:** Natural and propane/LP gases are odorless. An odor-making agent is added to these gases. The odor helps you detect a gas leak. However, the odor added to the gas can fade. Gas may be present even though no odor exists.

Make certain you read and understand all warnings. Keep this manual for reference. It is your guide to safe and proper operation of this heater.



**WARNING: Any change to this heater or its controls can be dangerous.**



**WARNING: Do not use a blower insert, heat exchanger insert or other accessory not approved for use with this heater.**

**Due to high temperatures, the appliance should be located out of traffic and away from furniture and draperies.**

**Do not place clothing or other flammable material on or near the appliance. Never place any objects on the heater.**

**Surface of heater becomes very hot when running heater. Keep children and adults away from hot surface to avoid burns or clothing ignition. Heater will remain hot for a time after shut-down. Allow surface to cool before touching.**

**Carefully supervise young children when they are in the room with heater.**

**Make sure grill guard is in place before running heater.**

**Keep the appliance area clear and free from combustible materials, gasoline and other flammable vapors and liquids.**

1. This appliance is only for use with the type of gas indicated on the rating plate. This appliance is not convertible for use with other gases.
2. Do not place propane/LP supply tank(s) inside any structure. Locate propane/LP supply tank(s) outdoors.
3. This heater shall not be installed in a bedroom or bathroom.
4. If you smell gas
  - shut off gas supply
  - do not try to light any appliance
  - do not touch any electrical switch; do not use any phone in your building
  - immediately call your gas supplier from a neighbor's phone. Follow the gas supplier's instructions
  - if you cannot reach your gas supplier, call the fire department
5. **Manual Control Models** Always run heater with plaque control knob at the 1, 2, 3 or 4 locked positions. Never set control knob between locked positions. Poor combustion and higher levels of carbon monoxide may result.
6. This heater needs fresh, outside air ventilation to run properly. This heater has an Oxygen Depletion Sensing (ODS) safety shutoff system. The ODS shuts down the heater if not enough fresh air is available. See *Air for Combustion and Ventilation*, page 5.
7. Keep all air openings in front and bottom of heater clear and free of debris. This will insure enough air for proper combustion.
8. If heater shuts off, do not relight until you provide fresh, outside air. If heater keeps shutting off, have it serviced.
9. Do not run heater
  - where flammable liquids or vapors are used or stored
  - under dusty conditions
10. Do not use heater if any part has been under water. Immediately call a qualified service technician to inspect the room heater and to replace any part of the control system and any gas control which has been under water.

## SAFETY

### Continued

11. Turn off and unplug heater and let cool before servicing. Only a qualified service person should service and repair heater.
12. Operating heater above elevations of 4,500 feet (1,371 m) could cause pilot outage.
13. To prevent performance problems, do not use propane/LP fuel tank of less than 100 lbs. (45 kg) capacity.
14. Before using furniture polish, wax, carpet cleaner or similar products, turn heater off. If heated, the vapors from these products may create a white powder residue within burner box or on adjacent walls or furniture.
15. Provide adequate clearances around air openings.

## LOCAL CODES

Install and use heater with care. Follow all local codes. In the absence of local codes, use the latest edition of *The National Fuel Gas Code ANSI Z223/NFPA 54\**.

\*Available from:

American National Standards Institute, Inc.  
1430 Broadway  
New York, NY 10018

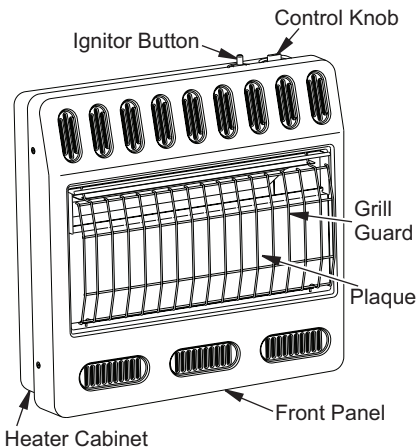
National Fire Protection Association, Inc.  
Batterymarch Park  
Quincy, MA 02269

**State of Massachusetts:** The installation must be made by a licensed plumber or gas fitter in the Commonwealth of Massachusetts.

Sellers of unvented propane or natural gas-fired supplemental room heaters shall provide to each purchaser a copy of 527 CMR 30 upon sale of the unit.

Vent-free gas products are prohibited for bedroom and bathroom installation in the Commonwealth of Massachusetts.

## PRODUCT IDENTIFICATION



**Figure 1 - Vent-Free Gas Heater**  
(actual heater may vary from illustration)

## UNPACKING

1. Remove heater from carton.
2. Remove all protective packaging applied to heater for shipment.
3. Check heater for any shipping damage. If heater is damaged call FMI PRODUCTS, LLC at 1-866-328-4537 for replacement parts before returning to dealer.

## PRODUCT FEATURES

### SAFETY DEVICE

This heater has a pilot with an Oxygen Depletion Sensing (ODS) safety shutoff system. The ODS/pilot is a required feature for vent-free room heaters. The ODS/pilot shuts off the heater if there is not enough fresh air.

### IGNITION SYSTEM

Some models are equipped with a piezo ignitor that requires no matches, batteries or other sources to light heater.

Other heaters are equipped with an electronic ignitor to light heater fuel supply.

### THERMOSTATIC HEAT CONTROL

#### (Thermostat Models Only)

Thermostat models have a thermostat sensing bulb and a control valve. This results in the greatest heater comfort. This can also result in lower gas bills.

# AIR FOR COMBUSTION AND VENTILATION

**⚠ WARNING:** This heater shall not be installed in a room or space unless the required volume of indoor combustion air is provided by the method described in the *National Fuel Gas Code, ANSI Z223.1/NFPA 54*, the *International Fuel Gas Code*, or applicable local codes. Read the following instructions to insure proper fresh air for this and other fuel-burning appliances in your home.

Today's homes are built more energy efficient than ever. New materials, increased insulation and new construction methods help reduce heat loss in homes. Home owners weather strip and caulk around windows and doors to keep the cold air out and the warm air in. During heating months, home owners want their homes as airtight as possible.

While it is good to make your home energy efficient, your home needs to breathe. Fresh air must enter your home. All fuel-burning appliances need fresh air for proper combustion and ventilation.

Exhaust fans, heaters, clothes dryers and fuel burning appliances draw air from the house to operate. You must provide adequate fresh air for these appliances. This will insure proper venting of vented fuel-burning appliances.

## PROVIDING ADEQUATE VENTILATION

The following are excerpts from *National Fuel Gas Code, ANSI Z223.1/NFPA 54, Air for Combustion and Ventilation*.

All spaces in homes fall into one of the three following ventilation classifications:

1. Unusually Tight Construction
2. Unconfined Space
3. Confined Space

The information on pages 5 through 7 will help you classify your space and provide adequate ventilation.

### Unusually Tight Construction

The air that leaks around doors and windows may provide enough fresh air for combustion and ventilation. However, in buildings of unusually tight construction, you must provide additional fresh air.

Unusually tight construction is defined as construction where:

- a. walls and ceilings exposed to the outside atmosphere have a continuous water vapor retarder with a rating of one perm ( $6 \times 10^{-11}$  kg per pa-sec- $m^2$ ) or less with openings gasketed or sealed and
- b. weather stripping has been added on openable windows and doors and
- c. caulking or sealants are applied to areas such as joints around window and door frames, between sole plates and floors, between wall-ceiling joints, between wall panels, at penetrations for plumbing, electrical and gas lines and at other openings.

If your home meets all of the three criteria above, you must provide additional fresh air.

See [Ventilation Air From Outdoors](#), page 7.

If your home does not meet all of the three criteria above, proceed to [Determining Fresh-Air Flow For Heater Location](#), page 6.

### Confined Space and Unconfined Space

The *National Fuel Gas Code ANSI Z223.1/NFPA 54* defines a confined space as a space whose volume is less than 50 cubic feet per 1,000 Btu per hour (4.8  $m^3$  per kw) of the aggregate input rating of all appliances installed in that space and an unconfined space as a space whose volume is not less than 50 cubic feet per 1,000 Btu per hour (4.8  $m^3$  per kw) of the aggregate input rating of all appliances installed in that space. Rooms communicating directly with the space in which the appliances are installed\*, through openings not furnished with doors, are considered a part of the unconfined space.

\* Adjoining rooms are communicating only if there are doorless passageways or ventilation grills between them.

# AIR FOR COMBUSTION AND VENTILATION

Continued

## DETERMINING FRESH-AIR FLOW FOR HEATER LOCATION

### Determining if You Have a Confined or Unconfined Space

Use this work sheet to determine if you have a confined or unconfined space.

**Space:** Includes the room in which you will install heater plus any adjoining rooms with doorless passageways or ventilation grills between the rooms.

1. Determine the volume of the space (length x width x height).

Length x Width x Height = \_\_\_\_\_ cu. ft.  
(volume of space)

*Example:* Space size 20 ft. (6.1m) (length) x 16 ft. (4.88m) (width) x 8 ft. (2.44 m) (ceiling height) = 2,560 cu. ft. (72.49 m<sup>2</sup>)(volume of space)

If additional ventilation to adjoining room is supplied with grills or openings, add the volume of these rooms to the total volume of the space.

2. Multiply the space volume by 20 to determine the maximum Btu/Hr the space can support.

\_\_\_\_\_ (volume of space) x 20 = (Maximum Btu/Hr the space can support)

*Example:* 2,560 cu. ft. (72.49 m<sup>2</sup>) (volume of space) x 20 = 51,200 (maximum Btu/Hr the space can support)

3. Add the Btu/Hr of all fuel burning appliances in the space.

Vent-free heater	_____	Btu/Hr
Gas water heater*	_____	Btu/Hr
Gas furnace	_____	Btu/Hr
Vented gas heater	_____	Btu/Hr
Gas heater logs	_____	Btu/Hr
Other gas appliances* +	_____	Btu/Hr
Total	= _____	Btu/Hr

\* Do not include direct-vent gas appliances. Direct-vent draws combustion air from the outdoors and vents to the outdoors.

*Example:*

Gas water heater	_____	40,000	Btu/Hr	
Vent-free heater	+	_____	20,000	Btu/Hr
Total	=	_____	60,000	Btu/Hr

4. Compare the maximum Btu/Hr the space can support with the actual amount of Btu/Hr used.

\_\_\_\_\_ Btu/Hr (maximum can support)  
\_\_\_\_\_ Btu/Hr (actual amount used)

*Example:* 51,200 Btu/Hr (maximum the space can support)  
60,000 Btu/Hr (actual amount of Btu/Hr used)

The space in the example is a confined space because the actual Btu/Hr used is more than the maximum Btu/Hr the space can support. You must provide additional fresh air. Your options are as follows:

- A. Rework worksheet, adding the space of an adjoining room. If the extra space provides an unconfined space, remove door to adjoining room or add ventilation grills between rooms. See *Ventilation Air From Inside Building*.
- B. Vent room directly to the outdoors. See *Ventilation Air From Outdoors*, page 7.
- C. Install a lower Btu/Hr heater, if lower Btu/Hr size makes room unconfined.

If the actual Btu/Hr used is less than the maximum Btu/Hr the space can support, the space is an unconfined space. You will need no additional fresh air ventilation.

**⚠ WARNING:** If the area in which the heater may be operated does not meet the required volume for indoor combustion air, combustion and ventilation air shall be provided by one of the methods described in the *National Fuel Gas Code, ANSI Z223.1/NFPA 54*, the *International Fuel Gas Code*, or applicable local codes.

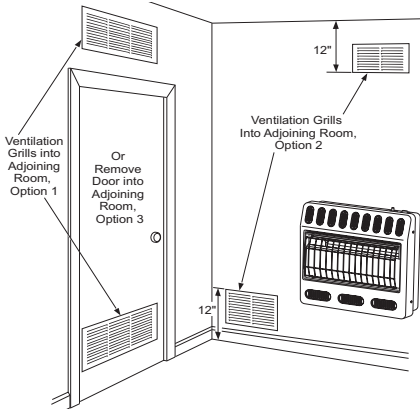
## VENTILATION AIR

### Ventilation Air From Inside Building

This fresh air would come from an adjoining unconfined space. When ventilating to an adjoining unconfined space, you must provide two permanent openings: one within 12" (30.5 cm) of the ceiling and one within 12" (30.5 cm) of the floor on the wall connecting the two spaces (see options 1 and 2, Figure 2, page 7). You can also remove door into adjoining room (see option 3, Figure 2, page 7). Follow the *National Fuel Gas Code, ANSI Z223.1/NFPA 54*, Air for Combustion and Ventilation for required size of ventilation grills or ducts.

# AIR FOR COMBUSTION AND VENTILATION

*Continued*



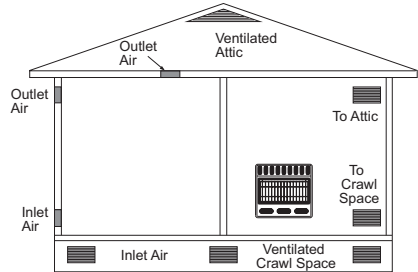
**Figure 2 - Ventilation Air from Inside Building**

## Ventilation Air From Outdoors

Provide extra fresh air by using ventilation grills or ducts. You must provide two permanent openings: one within 12" (30.5 cm) of the ceiling and one within 12" (30.5 cm) of the floor.

Connect these items directly to the outdoors or spaces open to the outdoors. These spaces include attics and crawl spaces. Follow the *National Fuel Gas Code, ANSI Z223.1/NFPA 54*, Air for Combustion and Ventilation for required size of ventilation grills or ducts.

**IMPORTANT:** Do not provide openings for inlet or outlet air into attic if attic has a thermostat-controlled power vent. Heated air entering the attic will activate the power vent.



**Figure 3 - Ventilation Air from Outdoors**

## INSTALLATION

**NOTICE:** This heater is intended for use as supplemental heat. Use this heater along with your primary heating system. Do not install this heater as your primary heat source. If you have a central heating system, you may run system's circulating blower while using heater. This will help circulate the heat throughout the house. In the event of a power outage, you can use this heater as your primary heat source.

**WARNING:** A qualified service person must install heater. Follow all local codes.

**WARNING:** This appliance is equipped for either natural gas or propane/LP gas but not both. Gas type is indicated on the rating plate. Field conversion is not permitted.

## CHECK GAS TYPE

Use only the correct gas type (natural or propane/LP) for your unit. If your gas supply is not correct, do not install heater. Call dealer where you bought heater for proper type heater.

## INSTALLATION ITEMS

Before installing heater, make sure you have the items listed below.

- for propane/LP gas, external regulator (supplied by installer)
- piping (check local codes)
- sealant (resistant to propane/LP gas)
- equipment shutoff valve \*
- ground joint union
- sediment trap
- tee joint
- pipe wrench
- for natural gas, test gauge connection\*
- hardware packet (included)
  - wall anchor (4) 095112-02
  - red key (1) 095116-01
  - pan head screw, black (4) 097403-02
  - nylon spacer (2) 099064-02
  - clip (1) 099123-01
  - Phillips head screw, silver (4) 100159-02

\* An equipment shutoff valve with 1/8" NPT tap is an acceptable alternative to test gauge connection. The optional equipment shutoff valve can be purchased from your dealer.

# INSTALLATION

Continued

## LOCATING HEATER

This heater is designed to be mounted on a wall.

**⚠ WARNING: Maintain the minimum clearances shown in Figure 4. If you can, provide greater clearances from floor, ceiling and joining wall.**

You can locate heater on floor, away from a wall. An optional floor mounting stand is needed. Purchase the floor mounting stand from your dealer. See *Accessories*, page 27, if stand is not included with your heater.

**⚠ WARNING: Never install the heater**

- in a bedroom or bathroom
- in a recreational vehicle
- where curtains, furniture, clothing or other flammable objects are less than 36" (91.5 cm) from the front, top or sides of the heater
- as a fireplace insert
- in high traffic areas
- in windy or drafty areas

**⚠ CAUTION: If you install the heater in a home garage**

- heater pilot and burner must be at least 18" (45.7 cm) above floor
- locate heater where moving vehicle will not hit it

**⚠ CAUTION: This heater creates warm air currents. These currents move heat to wall surfaces next to heater. Installing heater next to vinyl or cloth wall coverings or operating heater where impurities (such as, but not limited to, tobacco smoke, aromatic candles, cleaning fluids, oil or kerosene lamps, etc.) in the air exist, may discolor walls or cause odors.**

**IMPORTANT:** Vent-free heaters add moisture to the air. Although this is beneficial, installing heater in rooms without enough ventilation air may cause mildew to form from too much moisture. See *Air for Combustion and Ventilation*, page 5. If high humidity is experienced, a dehumidifier may be used to help lower the water vapor content in the air.

For convenience and efficiency, install heater

- where there is easy access for operation, inspection and service
- in coldest part of room

If not included with your heater, an optional fan kit is available from your dealer. See *Accessories*, page 27. If planning to use fan, locate heater near an electrical outlet (see page 16).

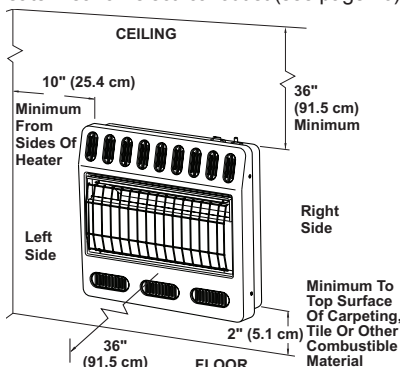


Figure 4 - Mounting Clearances As Viewed From Front of Heater

## THERMOSTAT SENSING BULB

(Thermostat Models Only)

The thermostat sensing bulb has been placed below the heater.

1. Place clip on thermostat sensing bulb as shown in Figure 5. Clip is provided in hardware package.
2. Snap clip into upper mounting hole as shown in Figure 5. Mounting hole is located on lower left edge on back of heater. Make sure thermostat sensing bulb is pointing up.

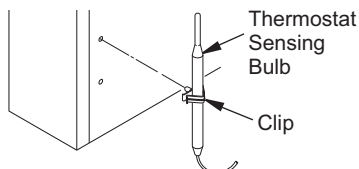


Figure 5 - Attaching Thermostat Sensing Bulb

# INSTALLATION

Continued

## INSTALLING HEATER TO WALL

### Mounting Bracket

Locate mounting bracket in heater carton. Remove mounting bracket from heater carton.

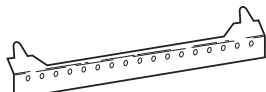


Figure 6 - Mounting Bracket

### Removing Front Panel Of Heater

1. Remove the four painted screws, two on each side of front panel.
2. Pull bottom of front panel forward, then out.
3. Remove any remaining packaging materials.

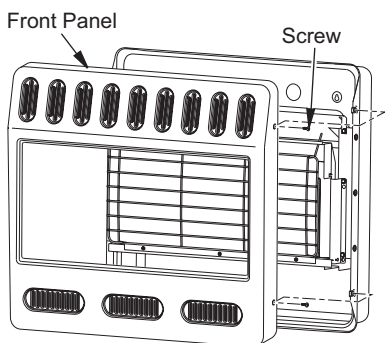


Figure 7 - Removing Front Panel of Heater (actual heater may vary from illustration)

### Methods For Attaching Mounting Bracket To Wall

Only use last hole on each end of mounting bracket to attach bracket to wall. These two holes are 14" (35.6 cm) apart from their centers. Attach mounting bracket to wall in one of two ways:

1. Attaching to wall stud
2. Attaching to wall anchor

**Attaching to Wall Stud:** This method provides the strongest hold. Insert mounting screws through mounting bracket and into wall studs.

**Attaching to Wall Anchor:** This method allows you to attach mounting bracket to hollow walls (wall areas between studs) or to solid walls (concrete or masonry).

Decide which method better suits your needs. Either method will provide a secure hold for the mounting bracket.

## MARKING SCREW LOCATIONS

1. Tape mounting bracket to wall where heater will be located. Make sure mounting bracket is level.

**⚠ WARNING: Maintain minimum clearances shown in Figure 8. If you can, provide greater clearances from floor and joining wall.**

2. Mark screw locations on wall (see Figure 8).  
*Note: Only mark last hole on each end of mounting bracket. Insert mounting screws through these holes only.*
3. Remove tape and mounting bracket from wall.

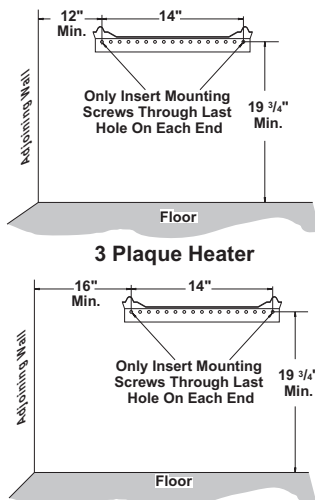


Figure 8 - Mounting bracket Clearances  
Attaching Mounting Bracket To Wall

*Note: Wall anchors, mounting screws and spacers are in hardware package. The hardware package is provided with heater.*

### Attaching To Wall Stud Method

For attaching mounting bracket to wall studs

1. Drill holes at marked locations using 9/64" drill bit.
2. Place mounting bracket onto wall. Line up last hole on each end of bracket with holes drilled in wall.
3. Insert mounting screws through bracket and into wall studs.
4. Tighten screws until mounting bracket is firmly fastened to wall studs.

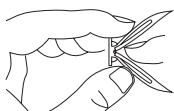
# INSTALLATION

## Continued

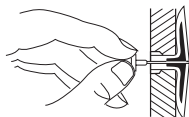
### Attaching To Wall Anchor Method

For attaching mounting bracket to hollow walls (wall areas between studs) or solid walls (concrete or masonry)

1. Drill holes at marked locations using 5/16" drill bit. For solid walls (concrete or masonry), drill at least 1" (2.5 cm) deep.
2. Fold wall anchor as shown in Figure 9.
3. Insert wall anchor (wings first) into hole. Tap anchor flush to wall.
4. For thin walls [1/2" (1.3 cm) or less], insert red key into wall anchor. Push red key to "pop" open anchor wings. **IMPORTANT:** Do not hammer key! For thick walls [over 1/2" (1.3 cm) thick] or solid walls, do not pop open wings.
5. Place mounting bracket onto wall. Line up last hole on each end of bracket with wall anchors.
6. Insert mounting screws through bracket and into wall anchors.
7. Tighten screws until mounting bracket is firmly fastened to wall.



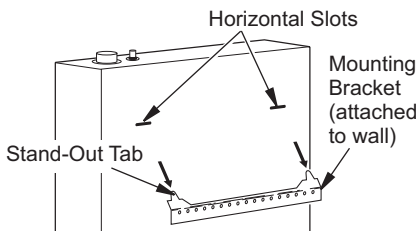
**Figure 9 - Folding Anchor**



**Figure 10 - Popping Open Anchor Wings for Thin Walls**

### Placing Heater On Mounting Bracket

1. Locate two horizontal slots on back panel of heater.
2. Place heater onto mounting bracket. Slide horizontal slots onto stand-out tabs on mounting bracket.



**Figure 11 - Mounting Heater onto Mounting Bracket**

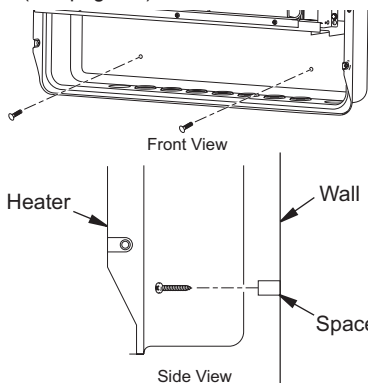
### Installing Bottom Mounting Screws

1. Locate two bottom mounting holes. These holes are near bottom on back panel of heater (see Figure 12).
2. Mark screw locations on wall.

3. Remove heater from mounting bracket.
4. If installing bottom mounting screws into hollow or solid wall, install wall anchors. Follow steps 1 through 4 under Attaching To Wall Anchor Method.
5. Replace heater onto mounting bracket.
6. Place spacers between bottom mounting holes and wall anchor or drilled hole.
7. Hold spacer in place with one hand. With other hand, insert mounting screw through bottom mounting hole and spacer. Place tip of screw in opening of wall anchor or drilled hole.
8. Tighten both screws until heater is firmly secured to wall. Do not over tighten.

If installing bottom mounting screw into wall stud, drill holes at marked locations using 9/64" drill bit.

Note: Do not replace front panel at this time. Replace front panel after making gas connections and checking for leaks (see page 11).



**Figure 12 - Installing Bottom Mounting Screws**

### MOUNTING HEATER TO FLOOR WITH OPTIONAL FLOOR KIT

#### Mounting Base Feet to Heater

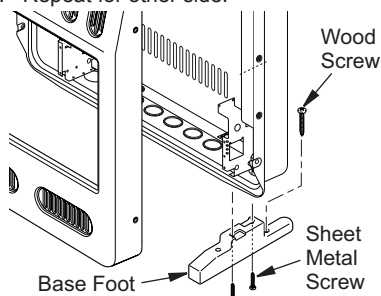
Note: A 90° elbow is required for mounting this unit and must be installed BEFORE base feet to provide proper clearance (see Figure 15, page 12).

1. Lay heater cabinet on its back on a table with the heater bottom overhanging table edge.
2. Apply pipe joint sealant lightly to male NPT threads of elbow. Hold pressure regulator with a wrench when connecting elbow. Do not overtighten elbow to regulator. Regulator body could be damaged.

# INSTALLATION

## Continued

3. Align holes in base foot with mounting holes on bottom of cabinet (see Figure 13).
4. Secure base foot to heater using sheet metal screws.
5. Repeat for other side.



**Figure 13 - Installing Base Feet (actual heater may vary from illustration)**

### Mounting Base Feet to Floor

1. Remove front panel (see Removing Front Panel of Heater, page 9).
2. Position heater with base feet in desired location. Mark holes for drilling. Remove heater with base.
3. For carpeted floors, make a small cut with a sharp knife at marked locations prior to drilling. If mounting base to a wood floor, drill 1/8" diameter hole, 3/4" deep. (Do not use anchors in wood floors).  
If mounting base to a concrete floor, drill with 1/4" diameter concrete drill bit, 13/8" into floor. Insert anchors completely into holes.
4. Reposition heater with base feet over holes. Secure base to floor with wood screws. See Figure 13.

### CONNECTING TO GAS SUPPLY

**WARNING:** This appliance requires a 3/8" NPT (National Pipe Thread) inlet connection to the pressure regulator.

**WARNING:** A qualified service person must connect heater to gas supply. Follow all local codes.

**WARNING:** For natural gas, never connect heater to private (non-utility) gas wells. This gas is commonly known as wellhead gas.

**IMPORTANT:** For natural gas, check gas line pressure before connecting heater to gas line. Gas line pressure must be no greater than 10.5" W.C.. If gas line pressure is higher, heater regulator damage could occur.

**CAUTION:** For propane/LP gas, never connect heater directly to the propane/LP supply. This heater requires an external regulator (not supplied). Install the external regulator between the heater and propane/LP supply.

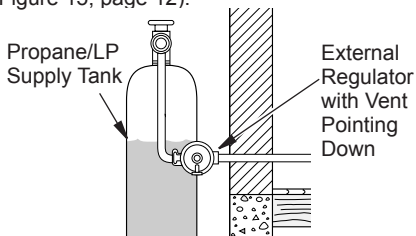
For propane/LP gas, the installer must supply an external regulator. The external regulator will reduce incoming gas pressure. You must reduce incoming gas pressure to between 11" and 14" W.C.. If you do not reduce incoming gas pressure, heater regulator damage could occur. Install the external regulator with the vent pointing down as shown in Figure 14. Pointing the vent down protects it from freezing rain or sleet.

**CAUTION:** Use only new, black iron or steel pipe. Internally-tinned copper tubing may be used in certain areas. Check your local codes. Use pipe of large enough diameter to allow proper gas volume to heater. If pipe is too small, undue loss of volume will occur.

### Typical Inlet Pipe Diameters

- 16-18,000 Btu/hr models - 3/8" or greater
- 26-30,000 Btu/hr models - 1/2" or greater

Installation must include equipment shutoff valve, union and plugged 1/8" NPT tap. Locate NPT tap within reach for test gauge hook up. NPT tap must be upstream from heater (see Figure 15, page 12).



**Figure 14 - Equipment Regulator with Vent Pointing Down**

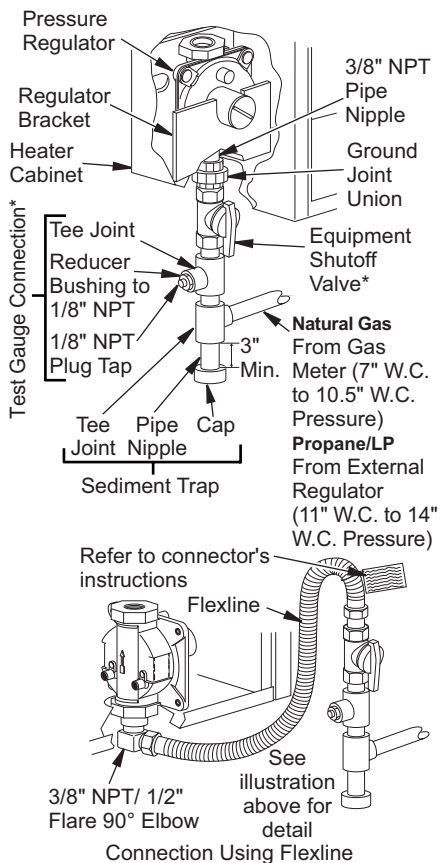
# INSTALLATION

*Continued*

**IMPORTANT:** Install an equipment shutoff valve in an accessible location. The equipment shutoff valve is for turning on or shutting off the gas to the appliance.

Check your building codes for a special requirements for locating equipment shutoff valve to heater.

Apply pipe joint sealant lightly to male NPT threads. This will prevent excess sealant from going into pipe. Excess sealant in pipe could result in clogged heater valves.



**Figure 15 - Gas Connection**

\* An equipment shutoff valve with 1/8" NPT tap is an acceptable alternative to test gauge connection. Purchase the optional equipment shutoff valve from your dealer.

**⚠ WARNING: Use pipe joint sealant that is resistant to liquid petroleum (LP) gas.**

Install sediment trap in supply line as shown in Figure 15. Locate sediment trap where it is within reach for cleaning. Locate sediment trap where trapped matter is not likely to freeze. A sediment trap traps moisture and contaminants. This keeps them from going into heater controls. If sediment trap is not installed or is installed wrong, heater may not run properly.

**IMPORTANT:** Hold the pressure regulator with wrench when connecting it to gas piping and/or fittings. Do not over tighten pipe connection to regulator. The regulator body could be damaged.

## CHECKING GAS CONNECTIONS

**⚠ WARNING: Test all gas piping and connections, internal and external to unit, for leaks after installing or servicing. Correct all leaks at once.**

**⚠ WARNING: Never use an open flame to check for a leak. Apply a noncorrosive leak detection fluid to all joints. Bubbles forming show a leak. Correct all leaks at once.**

**⚠ CAUTION: For propane/LP units, make sure external regulator has been installed between propane/LP supply and heater. See guidelines under Connecting to Gas Supply, page 11.**

## PRESSURE TESTING GAS SUPPLY PIPING SYSTEM

**Test Pressures In Excess Of 1/2 PSIG (3.5 kPa)**

1. Disconnect appliance with its appliance main gas valve (control valve) and equipment shutoff valve from gas supply piping. Pressures in excess of 1/2 psig will damage heater regulator.

# INSTALLATION

## Continued

2. Cap off open end of gas pipe where equipment shutoff valve was connected.
3. Pressurize supply piping system by either opening propane/LP supply tank valve for propane/LP gas or opening main gas valve located on or near gas meter for natural gas or using compressed air.
4. Check all joints of gas supply piping system. Apply a commercial leak detection solution to all joints. Bubbles forming show a leak.
5. Correct all leaks at once.
6. Reconnect heater and equipment shutoff valve to gas supply. Check reconnected fittings for leaks.

### Test Pressures Equal To or Less Than 1/2 PSIG (3.5 kPa)

1. Close equipment shutoff valve (see Figure 16).
2. Pressurize supply piping system by either opening propane/LP supply tank valve for propane/LP gas or opening main gas valve located on or near gas meter for natural gas or using compressed air.
3. Check all joints from gas meter for natural gas (see Figure 17) or propane/LP supply to equipment shutoff valve (see Figure 18). Apply a noncorrosive leak detection fluid to all joints. Bubbles forming show a leak.
4. Correct all leaks at once.

### PRESSURE TESTING HEATER GAS CONNECTIONS

1. Open equipment shutoff valve (see Figure 16).

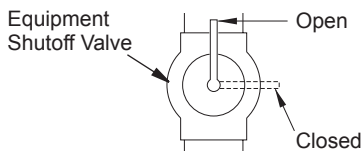


Figure 16 - Equipment Shutoff Valve

2. For natural gas, open main gas valve located on or near gas meter. For propane/LP gas, open propane/LP supply tank valve.
3. Make sure control knob of heater is in the OFF position.
4. Check all joints from equipment shutoff valve to thermostat gas valve (see Figure 17 or 18). Apply a noncorrosive leak detection fluid to all joints. Bubbles forming show a leak.
5. Correct all leaks at once.
6. Light heater (see [Operation](#) page 14). Check all other internal joints for leaks.
7. Turn off heater (see [To Turn Off Gas to Appliance](#), page 15).
8. Replace front panel.

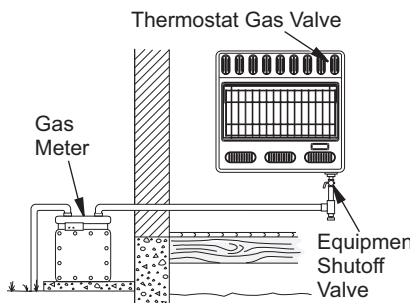


Figure 17 - Checking Gas Joints for Natural Gas (actual heater may vary from illustration)

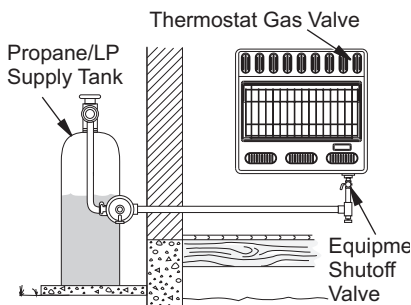


Figure 18 - Checking Gas Joints for Propane/LP Gas (actual heater may vary from illustration)

## OPERATION

### FOR YOUR SAFETY READ BEFORE LIGHTING

**WARNING:** If you do not follow these instructions exactly, a fire or explosion may result causing property damage, personal injury or loss of life.

A. This appliance has a pilot which must be lighted by hand. When lighting the pilot, follow these instructions exactly.

B. **BEFORE LIGHTING** smell all around the appliance area for gas. Be sure to smell next to the floor because some gas is heavier than air and will settle on the floor.


#### WHAT TO DO IF YOU SMELL GAS

- Do not try to light any appliance.
- Do not touch any electric switch; do not use any phone in your building.
- Immediately call your gas supplier from a neighbor's phone. Follow the gas supplier's instructions.
- If you cannot reach your gas supplier, call the fire department.


C. Use only your hand to push in or turn the gas control knob. Never use tools. If the knob will not push in or turn by hand, don't try to repair it, call a qualified service technician or gas supplier. Force or attempted repair may result in a fire or explosion.


D. Do not use this appliance if any part has been under water. Immediately call a qualified service technician to inspect the appliance and to replace any part of the control system and any gas control which has been under water.

### LIGHTING INSTRUCTIONS

1. STOP! Read the safety information above.
2. Make sure equipment shutoff valve is fully open.
3. Turn off any electric power to the appliance if service is to be performed.
4. Turn control knob clockwise  to the OFF position.
5. Wait five (5) minutes to clear out any gas. Then smell for gas, including near the floor. If you smell gas, STOP! Follow "B"

in the safety information, column 1. If you don't smell gas, go to the next step.

6. **Thermostat Models:** Turn control knob counterclockwise  to the PILOT position. Press in control knob for five (5) seconds.


**Manual Models:** Press in and turn control knob counterclockwise  to the PILOT position. Keep control knob pressed in for five (5) seconds.

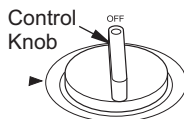
7. With control knob pressed in, push down and release ignitor button. This will light pilot. The pilot is attached to the front of burner. Note: You may be running this heater for the first time after hooking up to gas supply. If so, you may need to press in control knob for 30 seconds or more. This will allow air to bleed from the gas system. If needed, keep pressing ignitor button until pilot lights. If ignitor does not light pilot, refer to [Troubleshooting](#), page 19 or contact a qualified service person or gas supplier for repairs. Until repairs are made, light pilot with match. To light pilot with match, see [Manual Lighting Procedure](#), page 16.

8. Keep control knob pressed in for 30 seconds after lighting pilot. After 30 seconds, release control knob.

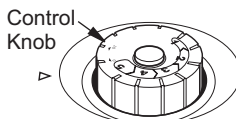
- If control knob does not pop out when released, contact a qualified service person or gas supplier for repairs.

*Note: If pilot goes out, repeat steps 4 through 7. Wait one (1) minute before lighting pilot*

9. Turn control knob counterclockwise  to desired heating level. The main burner should light. Manual control heaters should be used in locked positions.




**Figure 19 - Control Knob in the OFF Position for Manual Control Models**



**Figure 20 - Control Knob in the OFF Position for Thermostat Models**

# OPERATION

*Continued*

10. To shut off burners only and leave pilot lit, turn control knob clockwise  to the PILOT position.

**WARNING:** Always operate manual control heaters at the locked positions. Operation between these positions may create a possible health hazard if used in a poorly ventilated room. Read owner's manual for complete instructions.

**CAUTION:** Do not try to adjust heating levels by using the equipment shutoff valve.

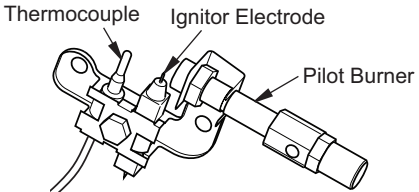


Figure 21 - Pilot

**TO SELECT HEATING LEVEL**

**CAUTION:** Do not try to adjust heating levels by using the equipment shutoff valve.

## MANUAL CONTROL MODELS

**WARNING:** When running heater, set control knob at LOW, MED or HI locked positions. Never set control knob between locked positions. Poor combustion and higher levels of carbon monoxide may result.

Slightly press in control knob and turn counterclockwise to the LOW, MED or HI positions (see Figure 22).

**IMPORTANT:** Release downward pressure while turning control knob. Control knob will lock at the desired position.

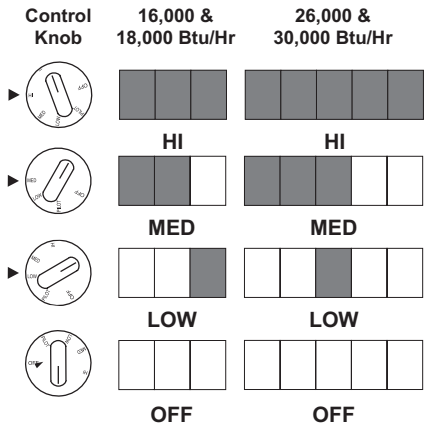


Figure 22 - Burner Patterns for Manual Control Models

## THERMOSTAT MODELS

Turn thermostat control knob counterclockwise to the desired heating level. The main burner should light. Set control knob to any heat level between 1 and 5 (see Figure 23).

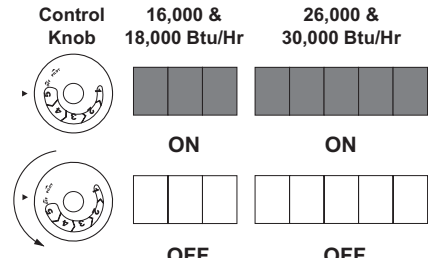



Figure 23 - Burner Patterns

**TO TURN OFF GAS TO APPLIANCE**

1. Turn control knob clockwise  to the OFF position.
2. Turn off all electric power to the appliance if service is to be performed.
3. Close equipment shutoff valve (see Figure 16, page 13).

## OPERATION

Continued

### THERMOSTAT CONTROL OPERATION

The thermostatic control used on these models differs from standard thermostats. Standard thermostats simply turn on and off the burner. The thermostat used on this heater senses the room temperature. At times the room may exceed the set temperature. If so, the burner will shut off. The burner will cycle back on when room temperature drops below the set temperature. The control knob can be set to any comfort level between 1 and 5. All plaques will turn off and on.

*Note: The thermostat sensing bulb measures the temperature of air near the heater cabinet. This may not always agree with room temperature (depending on housing construction, installation location, room size, open air temperatures, etc.) Frequent use of your heater will let you determine your own comfort levels.*

### MANUAL LIGHTING PROCEDURE

1. Remove front panel (see Figure 7, page 9).
2. Follow steps 1 through 5 under [Lighting Instructions](#), page 14.
3. With control knob pressed in, strike match. Hold match to pilot until pilot lights.
4. Keep control knob pressed in for 30 seconds after lighting pilot. After 30 seconds, release control knob. Now follow step 9 under [Lighting Instructions](#), page 14.
5. Replace front panel.

### BLOWER OPERATION

**WARNING:** Blower accessory must be grounded. Blower comes with a three-prong, grounding plug as shown in Figure 24. The plug is your protection against electrical shock. Plug it into a standard, three-hole, grounded, outlet. If cord needs replacing, use only a cord with a three-prong, grounding plug.

**CAUTION:** Label all wires prior to disconnection when servicing controls. Wiring errors can cause improper and dangerous operation.

**CAUTION:** Do not plug power cord into electrical outlet until installation is complete.

#### Extension Cord

Use extension cord if needed. The cord must have a three-prong, grounding plug and a three-hole receptacle. Make sure cord is in good shape. It must be heavy enough to carry the current needed. An undersized cord will cause a drop in line voltage. This will result in loss of power and overheating. Use a No. 16 AWG cord for lengths less than 50 feet.

**CAUTION:** Verify proper operation after servicing.

#### Operating Blower

The blower is connected to a thermostat. When unit heats up, the blower will operate. A few minutes after unit cycles off or is turned off, blower will shut off. Blower will cycle on and off in this manner. Note: If you have a heater with a thermostat, the heater and blower will not turn off and on at exactly the same time. Blower cycle times will vary with heat setting selected.

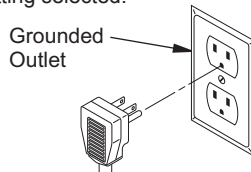


Figure 24 - Grounding Plug

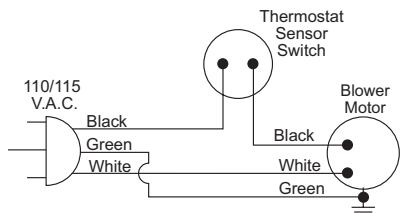


Figure 25 - Wiring Diagram for Blower Accessory

## INSPECTING HEATERS

Check pilot flame pattern and burner flame patterns often.

### PILOT FLAME PATTERN

Figure 26 shows a correct pilot flame pattern. Figure 27 shows an incorrect pilot flame pattern. The incorrect pilot flame is not touching the thermocouple. This will cause the thermocouple to cool. When the thermocouple cools, the heater will shut down.

If pilot flame pattern is incorrect, as shown in Figure 27

- turn heater off (see [To Turn Off Gas to Appliance](#), page 15)
- see [Troubleshooting](#), page 19

*Note: The pilot flame on natural gas units will have a slight curve, but flame should be blue and have no yellow or orange color.*

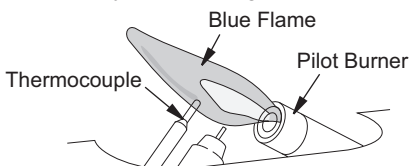


Figure 26 - Correct Pilot Flame Pattern

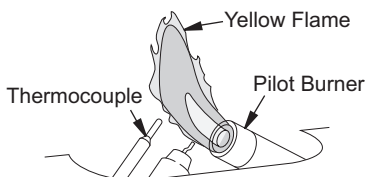


Figure 27 - Incorrect Pilot Flame Pattern

### BURNER FLAME PATTERN

Figure 28 shows a correct burner flame pattern. Figure 29 shows an incorrect burner flame pattern.

If burner flame pattern is incorrect, as shown in Figure 29

- turn heater off (see [To Turn Off Gas to Appliance](#), page 15)
- see [Troubleshooting](#), page 19

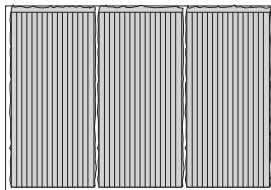


Figure 28 - Correct Burner Flame Pattern

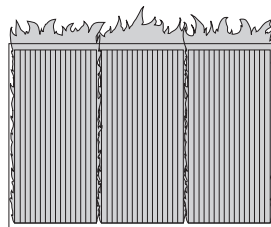


Figure 29 - Incorrect Burner Flame Pattern

## CLEANING AND MAINTENANCE

**WARNING:** Turn off heater and let cool before cleaning.

**CAUTION:** You must keep control areas, burner and circulating air passageways of heater clean. Inspect these areas of heater before each use. Have heater inspected yearly by a qualified service person. Heater may need more frequent cleaning due to excessive lint from carpeting, bedding material, pet hair, etc.

**WARNING:** Failure to keep the primary air opening(s) of the burner(s) clean may result in sooting and property damage.

### ODS/PILOT AND BURNER

Use a vacuum cleaner, pressurized air or small, soft bristled brush to clean.

### BURNER PILOT AIR INLET

The primary air inlet holes allow the proper amount of air to mix with the gas. This provides a clean burning flame. Keep these holes clear of dust, dirt and lint. Clean these air inlet holes prior to each heating season. Blocked air holes will create soot. We recommend that you clean the unit every three months during operation and have heater inspected yearly by a qualified service person.

## CLEANING AND MAINTENANCE

### Continued

We also recommend that you keep the burner tube and pilot assembly clean and free of dust and dirt. To clean these parts we recommend using compressed air no greater than 30 PSI. Your local computer store, hardware store or home center may carry compressed air in a can. If using compressed air in a can, please follow the directions on the can. If you don't follow directions on the can, you could damage the pilot assembly.

1. Shut off unit, including pilot. Allow unit to cool for at least thirty minutes.
2. Inspect burner, pilot and primary air inlet holes on orifice holder for dust and dirt (see Figure 30).
3. Blow air through the ports/slots and holes in the burner.
4. Never inset objects into the pilot tube.
5. Blow air into the primary air holes on the orifice holder.

Clean pilot assembly also. A yellow tip on the pilot flame indicates dust and dirt in the pilot

assembly. There is a small pilot air inlet hole about 2" from where the pilot flame comes out of the pilot assembly (see Figure 30). With the unit off, lightly blow air through the air inlet hole. You may blow through a drinking straw if compressed air is not available.

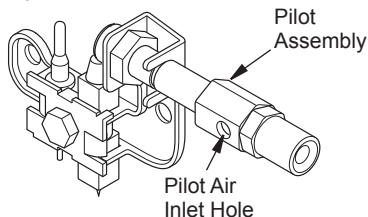


Figure 30 - Pilot Inlet Air Hole

## CABINET

### Air Passageways

Use pressurized air to clean.

### Exterior

Use a soft cloth dampened with a mild soap and water mixture. Wipe the cabinet to remove dust.

## SPECIFICATIONS

### GWRN18TC, VSHRN18T

- Natural Gas Only
- 18,000 Btu/h
- Pressure Regulator Setting: 6" W.C.
- Inlet Gas Pressure\* (in. of water):  
Maximum - 10.5" W.C., Minimum - 7" W.C.

### GWRN30TC, VSHRN30T

- Natural Gas Only
- 30,000 Btu/h
- Pressure Regulator Setting: 6" W.C.
- Inlet Gas Pressure\* (in. of water):  
Maximum - 10.5" W.C., Minimum - 7" W.C.

### GWRN18C, VSHRN18M

- Natural Gas Only
- 6,600/12,000/18,000 Btu/h
- Pressure Regulator Setting: 6" W.C.
- Inlet Gas Pressure\* (in. of water):  
Maximum - 10.5" W.C., Minimum - 7" W.C.

### GWRN30C, VSHRN30M

- Natural Gas Only
- 6,600/18,000/30,000 Btu/h
- Pressure Regulator Setting: 6" W.C.
- Inlet Gas Pressure\* (in. of water):  
Maximum - 10.5" W.C., Minimum - 7" W.C.

### GWRP16TC, VSHRP16T

- Propane/LP Gas Only
- 16,000 Btu/h
- Pressure Regulator Setting: 8" W.C.
- Inlet Gas Pressure\* (in. of water):  
Maximum - 14" W.C., Minimum - 11" W.C.

### GWRP26TC, VSHRP26T

- Propane/LP Gas Only
- 26,000 Btu/h
- Pressure Regulator Setting: 8" W.C.
- Inlet Gas Pressure\* (in. of water):  
Maximum - 14" W.C., Minimum - 11" W.C.

### GWRP16C, VSHRP16M

- Propane/LP Gas Only
- 6,000/11,000/16,000/ Btu/h
- Pressure Regulator Setting: 8" W.C.
- Inlet Gas Pressure\* (in. of water):  
Maximum - 14" W.C., Minimum - 11" W.C.

### GWRP26C, VSHRP26M

- Propane/LP Gas Only
- 6,000/16,000/26,000 Btu/h
- Pressure Regulator Setting: 8" W.C.
- Inlet Gas Pressure\* (in. of water):  
Maximum - 14" W.C., Minimum - 11" W.C.

\* For purposes of input adjustment.

## TROUBLESHOOTING

**⚠ WARNING: Turn off and unplug heater and let cool before servicing. Only a qualified service person should service and repair heater.**

**⚠ CAUTION: Never use a wire, needle or similar object to clean ODS/pilot. This can damage ODS/pilot unit.**

*Note: All troubleshooting items are listed in order of operation.*

OBSERVED PROBLEM	POSSIBLE CAUSE	REMEDY
When ignitor button is pressed in, there is no spark at ODS/pilot	<ol style="list-style-type: none"> <li>1. Ignitor electrode positioned wrong</li> <li>2. Ignitor electrode broken</li> <li>3. Ignitor electrode not connected to ignitor cable</li> <li>4. Ignitor cable pinched or wet</li> <li>5. Broken ignitor cable</li> <li>6. Bad ignitor</li> <li>7. Piezo ignitor nut (if equipped) is loose</li> </ol>	<ol style="list-style-type: none"> <li>1. Replace pilot assembly</li> <li>2. Replace pilot assembly</li> <li>3. Reconnect ignitor cable</li> <li>4. Free ignitor cable if pinched by any metal or tubing. Keep ignitor cable dry</li> <li>5. Replace ignitor cable</li> <li>6. Replace ignitor</li> <li>7. Tighten nut holding piezo ignitor. Nut is located inside heater cabinet at top</li> </ol>
When ignitor button is pressed in, there is a spark at ODS/Pilot but no ignition	<ol style="list-style-type: none"> <li>1. Gas supply turned off or equipment shutoff valve closed</li> <li>2. Control knob is not in pilot position</li> <li>3. Control knob not fully pressed in while pressing ignitor button</li> <li>4. Air in gas lines when stalled</li> <li>5. Depleted gas supply (propane/LP gas)</li> <li>6. ODS/pilot is clogged</li> <li>7. Gas regulator setting is not correct</li> </ol>	<ol style="list-style-type: none"> <li>1. Turn on gas supply or open equipment shutoff valve</li> <li>2. Turn control knob to pilot position</li> <li>3. Turn to PILOT/IGN position. Fully press in control knob while pressing ignitor button</li> <li>4. Continue holding down control knob. Repeat igniting operation until air is removed</li> <li>5. Contact local propane/LP gas company</li> <li>6. Clean ODS/pilot (see <i>Cleaning and Maintenance</i>, page 16) or replace ODS/pilot assembly</li> <li>7. Replace gas regulator</li> </ol>
Moisture/condensation noticed on windows	<ol style="list-style-type: none"> <li>1. Not enough combustion/ventilation air</li> </ol>	<ol style="list-style-type: none"> <li>1. Refer to <i>Air for Combustion and Ventilation</i> requirements (page 5)</li> </ol>

# TROUBLESHOOTING

*Continued*

OBSERVED PROBLEM	POSSIBLE CAUSE	REMEDY
ODS/pilot lights but flame goes out when control knob is released	<ol style="list-style-type: none"> <li>1. Control knob not fully pressed in</li> <li>2. Control knob not pressed in long enough</li> <li>3. Equipment shutoff valve not fully open</li> <li>4. Pilot flame not touching thermocouple, which allows thermocouple to cool, causing pilot flame to go out. This problem could be caused by one or both of the following: A) Low gas pressure B) Dirty or partially clogged ODS/pilot</li> <li>5. Thermocouple connection loose at control valve</li> <li>6. Thermocouple damaged</li> <li>7. Control valve damaged</li> </ol>	<ol style="list-style-type: none"> <li>1. Press in control knob fully</li> <li>2. After ODS/pilot lights, keep control knob pressed in 30 seconds</li> <li>3. Fully open equipment shut-off valve</li> <li>4. A) Contact local natural or propane/LP gas company  B) Clean ODS/pilot (see <a href="#"><i>Cleaning and Maintenance</i></a>, page 17) or replace ODS/pilot assembly</li> <li>5. Hand tighten until snug, then tighten 1/4 turn more</li> <li>6. Replace pilot assembly</li> <li>7. Replace control valve</li> </ol>
Burner does not light after ODS/pilot is lit	<ol style="list-style-type: none"> <li>1. Burner orifice clogged</li> <li>2. Inlet gas pressure is too low</li> </ol>	<ol style="list-style-type: none"> <li>1. Clean burner (see <a href="#"><i>Cleaning and Maintenance</i></a>, page 17) or replace burner orifice</li> <li>2. Contact local natural or propane/LP gas company</li> </ol>
Delayed ignition of burner	<ol style="list-style-type: none"> <li>1. Manifold pressure is too low</li> <li>2. Burner orifice clogged</li> </ol>	<ol style="list-style-type: none"> <li>1. Contact local natural or propane/LP gas company</li> <li>2. Clean burner (see <a href="#"><i>Cleaning and Maintenance</i></a>, page 17) or replace burner orifice</li> </ol>
Burner backfiring during combustion	<ol style="list-style-type: none"> <li>1. Burner orifice is clogged or damaged</li> <li>2. Damaged burner</li> <li>3. Gas regulator defective</li> </ol>	<ol style="list-style-type: none"> <li>1. Clean burner (see <a href="#"><i>Cleaning and Maintenance</i></a>, page 17) or replace burner orifice</li> <li>2. Replace damaged burner</li> <li>3. Replace gas regulator</li> </ol>
Burner plaque(s) does not glow	<ol style="list-style-type: none"> <li>1. Plaque damaged</li> <li>2. Inlet gas pressure is too low</li> <li>3. Control knob set between locked positions</li> </ol>	<ol style="list-style-type: none"> <li>1. Replace burner</li> <li>2. Contact local natural or propane/LP gas company</li> <li>3. Turn control knob until it locks at desired setting</li> </ol>
Slight smoke or odor during initial operation	<ol style="list-style-type: none"> <li>1. Residues from manufacturing processes</li> </ol>	<ol style="list-style-type: none"> <li>1. Problem will stop after a few hours of operation</li> </ol>
Heater produces a clicking/ticking noise just after burner is lit or shut off	<ol style="list-style-type: none"> <li>1. Metal expanding while heating or contracting while cooling</li> </ol>	<ol style="list-style-type: none"> <li>1. This is normal with most heaters. If noise is excessive, contact qualified service person</li> </ol>

# TROUBLESHOOTING

Continued



**WARNING: If you smell gas**

- Shut off gas supply.
- Do not try to light any appliance.
- Do not touch any electrical switch; do not use any phone in your building.
- Immediately call your gas supplier from a neighbor's phone. Follow the gas supplier's instructions.
- If you cannot reach your gas supplier, call the fire department.

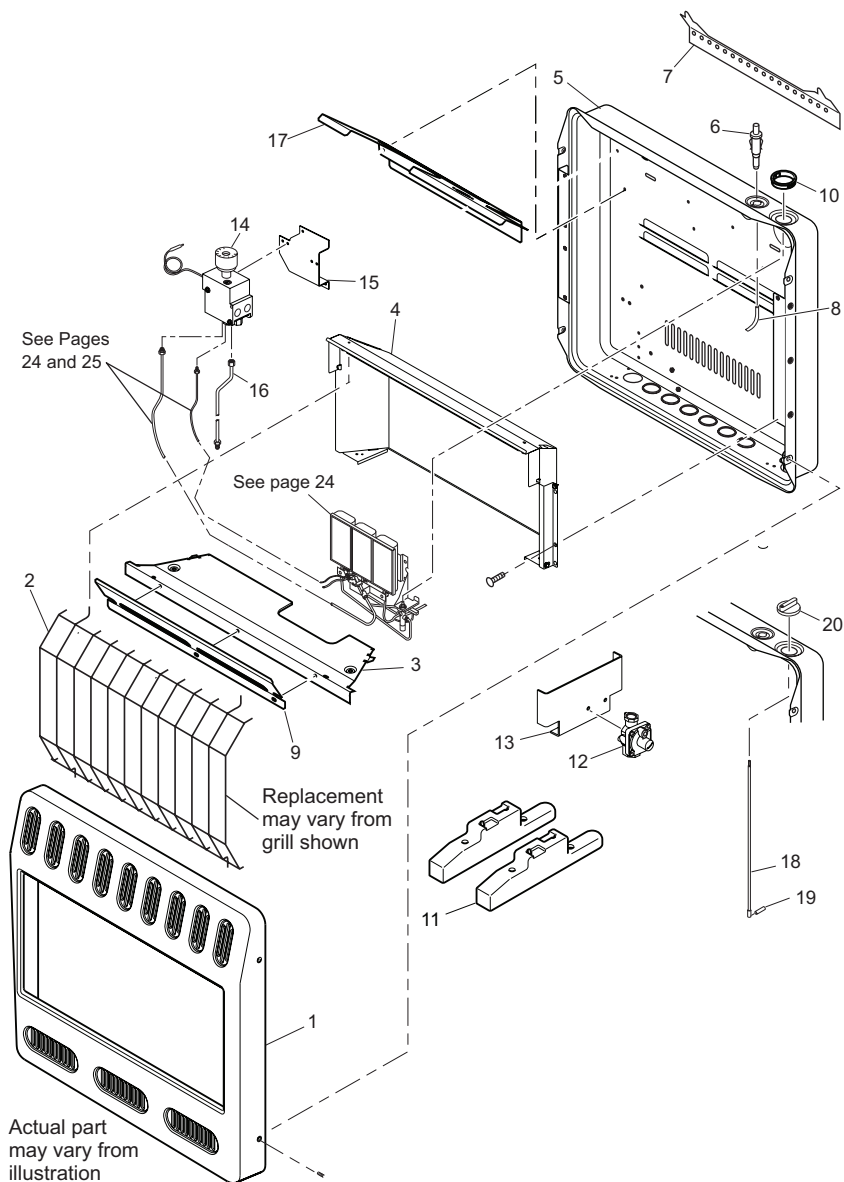
**IMPORTANT:** Operating heater where impurities in air exist may create odors. Cleaning supplies, paint, paint remover, cigarette smoke, cements and glues, new carpet or textiles, etc., create fumes. These fumes may mix with combustion air and create odors.

OBSERVED PROBLEM	POSSIBLE CAUSE	REMEDY
White powder residue forming within burner box or on adjacent walls or furniture	1. When heated, vapors from furniture polish, wax, carpet cleaner, etc., may turn into white powder residue	1. Turn heater off when using furniture polish, wax, carpet cleaners or similar products
Heater shuts off in use (ODS operates)	1. Not enough fresh air is available 2. Low line pressure 3. ODS/pilot is partially clogged	1. Open window and/or door for ventilation 2. Contact local natural or propane/LP gas company 3. Clean ODS/pilot (see <i>Cleaning and Maintenance</i> , page 17)
Heater produces unwanted odors	1. Heater burning vapors from paint, hair spray, glues, etc. See <b>IMPORTANT</b> statement above 2. Low fuel supply (propane/LP gas only) 3. Gas leak. See <b>Warning statement at top of page</b>	1. Ventilate room. Stop using odor causing products while heater is running 2. Refill supply tank 3. Locate and correct all leaks (see <i>Checking Gas Connections</i> , page 12)
Gas odor even when control knob is in OFF position	1. Gas leak. See <b>Warning statement at top of page</b> 2. Control valve defective	1. Locate and correct all leaks (see <i>Checking Gas Connections</i> , page 12) 2. Replace control valve
Gas odor during combustion	1. Foreign matter between control valve and burner 2. Gas leak. See <b>Warning statement at top of page</b>	1. Take apart gas tubing and remove foreign matter 2. Locate and correct all leaks (see <i>Checking Gas Connections</i> , page 12)
Heater produces a whistling noise when burner is lit	1. Air in gas line 2. Air passageways on heater blocked 3. Dirty or partially clogged burner orifice	1. Operate burner until air is removed from line. Have gas line checked by local natural or propane/LP gas company 2. Observe minimum installation clearances (see Figure 4, page 8) 3. Clean burner (see <i>Cleaning and Maintenance</i> , page 17) or replace burner orifice

# PARTS

## CABINET BODY MODELS

GWRP16C, GWRN18C, GWRP26C, GWRN30C, GWRP16TC, GWRN18TC, GWRP26TC, GWRN30TC, VSHRP16M, VSHRP16T, VSHRN18M, VSHRN18T, VSHRP26M, VSHRP26T, VSHRN30M, AND VSHRN30T



## PARTS

This list contains replaceable parts used in your heater. When ordering parts, follow the instructions listed under Replacement Parts on page 27 of this manual.

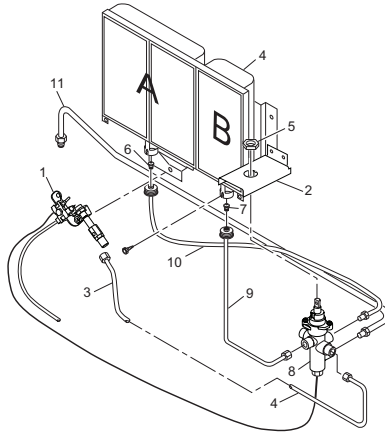
KEY NO.	PART NO.	DESCRIPTION								QTY.
			GWRP16C, VSHRP16M	GWRN18C, VSHRN18M	GWRP26C, VSHRP26M	GWRN30C, VSHRN30M	GWRP16TC, VSHRP16T	GWRN18TC, VSHRN18T	GWRP26TC, VSHRP26T	
1	107673-01	Front Panel	•	•						1
	107676-01	Front Panel	•	•	•	•		•	•	1
2	103476-01	Grill Guard	•	•			•	•		1
	103476-02	Grill Guard			•	•		•	•	1
3	**	Apron	•	•	•	•	•	•	•	1
4	104103-07	Reflector	•	•			•	•		1
	104103-09	Reflector			•	•		•	•	1
5	**	Cabinet Back Panel	•	•	•	•	•	•	•	1
6	097159-04	Piezo Ignitor	•	•	•	•	•	•	•	1
7	099066-02	Mounting Bracket	•	•	•	•	•	•	•	1
	098271-03	Ignitor Cable	•	•	•	•	•	•	•	1
9	107896-01	Heat Sheild	•	•	•	•	•	•	•	1
	107896-02	Heat Sheild		•	•	•	•	•	•	1
10	111421-01	Snap Bushing								1
11	107889-01	Base Feet	•	•	•	•	•	•	•	2
12	099415-18	Gas Regulator LP	•	•	•	•	•	•	•	1
	099415-19	Gas Regulator NG		•	•	•	•	•	•	1
13	104819-02	Regulator Bracket	•	•	•	•	•	•	•	1
14	098522-24	Thermostat Gas Valve					•	•	•	1
15	102394-02	T-stat Valve Mounting Bracket					•	•	•	1
16	103256-02	Inlet Tube					•	•	•	1
17	118721-03	Upper Baffle	•	•						1
	118721-04	Upper Baffle			•	•				1
18	098462-01	Control Rod Assembly	•	•	•	•				1
19	098325-01	Roll Pin	•	•	•	•				1
20	098354-03	Control Knob	•	•	•	•				1
<b>PARTS AVAILABLE - NOT SHOWN</b>										
	100642-03	Hardware Assembly	•	•	•	•				1

\*\* Not a field replaceable part.

# PARTS

## BURNER ASSEMBLY

This list contains replaceable parts used in your heater. When ordering parts, follow the instructions listed under Replacement Parts on page 27 of this manual.

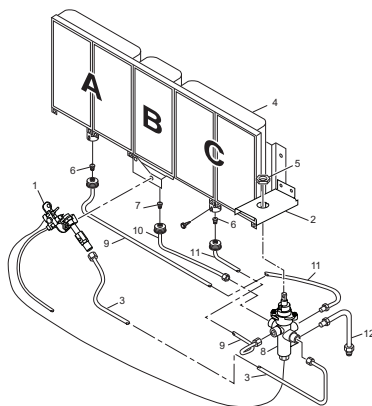


KEY NO.	PART NO.	DESCRIPTION	GWRP16C, VSHRP16M GWRN18C, VSHRN18M	QTY.
1	120630-02	ODS/Pilot LP	•	1
	120630-03	ODS/Pilot NG	•	1
2	098200-03	Control Valve Bracket	• •	1
3	105051-01	Pilot Tubing	• •	1
4	099218-08	Burner	• • •	1
5	098508-01	Valve Retainer Nut	• •	1
6	099056-24	Orifice - Plaque A	•	1-2
	099056-25	Orifice - Plaque A	•	1-2
7	099056-01	Orifice - Plaque B	•	1
	099056-02	Orifice - Plaque B	•	1
8	103844-01	Control Valve	• •	1
9	103352-03	Tubing - Valve to Plaque	• •	1
10	103352-04	Tubing - Valve to Plaque	• •	1
11	107660-01	Tube, Inlet	• •	1

## PARTS

### BURNER ASSEMBLY

This list contains replaceable parts used in your heater. When ordering parts, follow the instructions listed under Replacement Parts on page 27 of this manual.



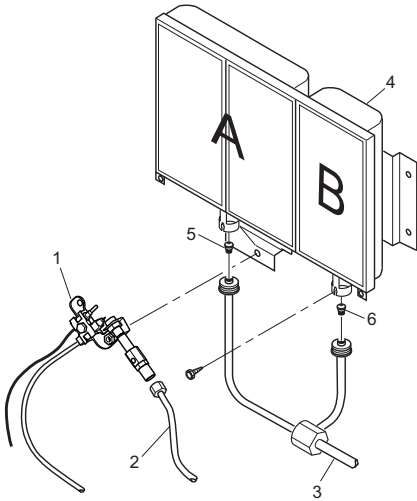
#### KEY

KEY NO.	PART NO.	DESCRIPTION	GWRP26C, VSHRP26M	GWRN30C, VSHRN30M	QTY.
1	120630-02	ODS/Pilot LP	•		1
	120630-03	ODS/Pilot NG		•	1
2	098200-03	Control Valve Bracket	•	•	1
3	105050-02	Pilot Tubing	•	•	1
4	099218-09	Burner	•	•	1
5	098508-01	Valve Retainer Nut	•	•	1
6	099056-24	Orifice - Plaque A or C		•	2
	099056-25	Orifice - Plaque A or C	•		2
7	099056-01	Orifice - Plaque B	•		1
	099056-02	Orifice - Plaque B		•	1
8	100747-01	Control Valve	•	•	1
9	107660-03	Inlet Tube			
10	103844-01	Tubing - Valve to Plaque	•	•	1
11	103352-05	Tubing - Valve to Plaque	•	•	1
12	103352-04	Tubing - Valve to Plaque	•	•	1

# PARTS

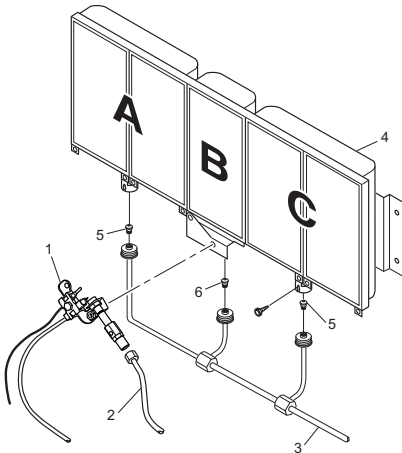
## BURNER ASSEMBLY

This list contains replaceable parts used in your heater. When ordering parts, follow the instructions listed under Replacement Parts on page 27 of this manual.



### KEY

KEY NO.	PART NO.	DESCRIPTION	GWRP16TC, VSHRP16T	GWRN18TC, VSHRN18T	QTY.
1	120630-02	ODS/Pilot LP	•		1
	120630-03	ODS/Pilot NG		•	1
2	099387-11	Pilot Tubing	•	•	1
3	104818-03	Outlet Tubing-	•	•	1
		Valve to Burner			
4	099218-08	Burner	•	•	1
5	099056-24	Orifice - Plaque A	•		1-2
	099056-25	Orifice - Plaque A	•		1-2
6	099056-01	Orifice - Plaque B	•		1
	099056-02	Orifice - Plaque B		•	1

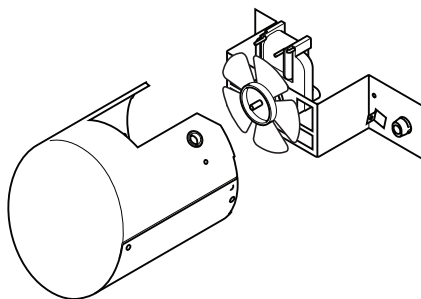


### KEY

KEY NO.	PART NO.	DESCRIPTION	GWRP26TC, VSHRP26T	GWRN30TC, VSHRN30T	QTY.
1	120630-02	ODS/Pilot LP	•		1
	120630-03	ODS/Pilot NG		•	1
2	099387-3	Pilot Tubing	•	•	1
3	104818-04	Outlet Tubing-	•	•	1
		Valve to Burner			
4	099218-08	Burner	•	•	1
5	099056-24	Orifice - Plaque A or C	•		1-2
	099056-25	Orifice - Plaque A or C	•		1-2
6	099056-01	Orifice - Plaque B	•		1
	099056-02	Orifice - Plaque B		•	1

## ACCESSORIES

Purchase these heater accessories from your local dealer. If they can not supply these accessories, either contact your nearest Parts Central or call FMI PRODUCTS, LLC at 1-866-328-4537 for information. You can also write to the address listed on the back page of this manual.



### FAN KIT - PP100

**For all models.** Provides better heat distribution. Complete installation and operating instructions included.

Thermostatically-controlled, blower turns itself on and off as required.

## REPLACEMENT PARTS

*Note: Use only original replacement parts. This will protect your warranty coverage for parts replaced under warranty.*

Contact authorized dealers of this product. If they can't supply original replacement part(s), call FMI PRODUCTS, LLC at 1-866-328-4537.

When calling, have ready:

- your name
- your address
- model and serial numbers of your heater
- how heater was malfunctioning
- type of gas used (propane/LP or natural gas)
- purchase date

Usually, we will ask you to return the part to the factory.

## TECHNICAL SERVICE

You may have further questions about installation, operation or troubleshooting. If so, contact FMI PRODUCTS, LLC at 1-866-328-4537. When calling please have your model and serial numbers of your heater ready.

You can also visit our web site at [www.fmiproducts.com](http://www.fmiproducts.com).

## SERVICE HINTS

### When Gas Pressure Is Too Low

- pilot will not stay lit
- burners will have delayed ignition
- heater will not produce specified heat
- propane/LP gas supply may be low

You may feel your gas pressure is too low. If so, contact your local natural or propane/LP gas supplier.

# WARRANTY

## KEEP THIS WARRANTY

Model (located on product or identification tag) \_\_\_\_\_

Serial No. (located on product or identification tag) \_\_\_\_\_

Date Purchased \_\_\_\_\_

Keep receipt for warranty verification.

## FMI PRODUCTS, LLC LIMITED WARRANTIES

### New Products

**Standard Warranty:** FMI PRODUCTS, LLC warrants this new product and any parts thereof to be free from defects in material and workmanship for a period of four (4) years from the date of first purchase from an authorized dealer provided the product has been installed, maintained and operated in accordance with FMI PRODUCTS, LLC's warnings and instructions.

For products purchased for commercial, industrial or rental usage, this warranty is limited to 90 days from the date of first purchase.

### Factory Reconditioned Products

**Limited Warranty:** FMI PRODUCTS, LLC warrants factory reconditioned products and any parts thereof to be free from defects in material and workmanship for 30 days from the date of first purchase from an authorized dealer provided the product has been installed, maintained and operated in accordance with FMI PRODUCTS, LLC's warnings and instructions.

### Terms Common to All Warranties

The following terms apply to all of the above warranties:

Always specify model number and serial number when contacting the manufacturer. To make a claim under this warranty the bill of sale or other proof of purchase must be presented.

This warranty is extended only to the original retail purchaser when purchased from an authorized dealer, and only when installed by a qualified installer in accordance with all local codes and instructions furnished with this product.

This warranty covers the cost of part(s) required to restore this product to proper operating condition and an allowance for labor when provided by a FMI PRODUCTS, LLC Authorized Service Center or a provider approved by FMI PRODUCTS, LLC. Warranty parts must be obtained through authorized dealers of this product and/or FMI PRODUCTS, LLC who will provide original factory replacement parts. Failure to use original factory replacement parts voids this warranty.

Travel, handling, transportation, diagnostic, material, labor and incidental costs associated with warranty repairs, unless expressly covered by this warranty, are not reimbursable under this warranty and are the responsibility of the owner.

Excluded from this warranty are products or parts that fail or become damaged due to misuse, accidents, improper installation, lack of proper maintenance, tampering, or alteration(s).

This is FMI PRODUCTS, LLC's exclusive warranty, and to the full extent allowed by law; this express warranty excludes any and all other warranties, express or implied, written or verbal and limits the duration of any and all implied warranties, including warranties of merchantability and fitness for a particular purpose to four (4) years on new products and 30 days on factory reconditioned products from the date of first purchase. FMI PRODUCTS, LLC makes no other warranties regarding this product.

FMI PRODUCTS, LLC's liability is limited to the purchase price of the product, and FMI PRODUCTS, LLC shall not be liable for any other damages whatsoever under any circumstances including indirect, incidental, or consequential damages.

Some states do not allow limitations on how long an implied warranty lasts or the exclusion or limitation of incidental or consequential damages, so the above limitation or exclusion may not apply to you.

This warranty gives you specific legal rights, and you may also have other rights which vary from state to state.

For information about this warranty contact:

  
**FMI PRODUCTS, LLC**  
2701 S. Harbor Blvd.  
Santa Ana, CA 92704  
1-866-328-4537  
[www.fmiproducts.com](http://www.fmiproducts.com)

125311-01  
Rev. B  
09/11