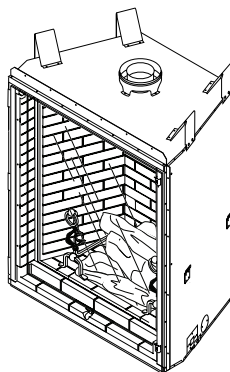




DIRECT VENT FIREPLACE OWNER'S OPERATION AND INSTALLATION MANUAL



We recommend that our gas hearth products be installed and serviced by professionals who are certified in the U.S. by the National Fireplace Institute® (NFI) as NFI Gas Specialists.



**STANDARD GLASS MODELS DVF-36NSR-C, DVF-36PSR-C,
DVF-36NHR-C, DVF-36PHR-C, DVF-36NSI-C, DVF-36PSI-C,
DVF-36NHI-C AND DVF-36PHI-C
COOL TOUCH GLASS MODELS DVF-36NSR-CC, DVF-36PSR-CC,
DVF-36NHR-CC, DVF-36PHR-CC, DVF-36NSI-CC, DVF-36PSI-CC,
DVF-36NHI-CC AND DVF-36PHI-CC**

⚠ WARNING: If the information in this manual is not followed exactly, a fire or explosion may result causing property damage, personal injury or loss of life.

- Do not store or use gasoline or other flammable vapors and liquids in the vicinity of this or any other appliance.
- **WHAT TO DO IF YOU SMELL GAS**
 - Do not try to light any appliance.
 - Do not touch any electrical switch; do not use any phone in your building.
 - Immediately call your gas supplier from a neighbor's phone. Follow the gas supplier's instructions.
 - If you cannot reach your gas supplier, call the fire department.
- Installation and service must be performed by a qualified installer, service agency or the gas supplier.

INSTALLER: Leave this manual with the appliance
CONSUMER: Retain this manual for future reference.

TABLE OF CONTENTS

Safety	2	Wiring Diagram	23
Local Codes	4	Gas Control Module System	23
Product Identification	4	Inspecting Burners	24
Product Features	5	Cleaning and Maintenance	25
Pre-installation	5	Specifications	26
Location of Termination Cap	7	Replacement Parts	26
Requirements for the Commonwealth of Massachusetts	8	Technical Service	26
Venting Installation	9	Troubleshooting	27
Fireplace Installation	15	Service Hints	29
Operation	21	Parts	30
		Warranty	Back Cover

SAFETY

⚠ WARNING: Improper installation, adjustment, alteration, service or maintenance can cause injury or property damage. Refer to this manual for correct installation and operational procedures. For assistance or additional information consult a qualified installer, service agency or the gas supplier.

This appliance is only for use with the type of gas indicated on the rating plate. This appliance is not convertible for use with other gases, unless a certified kit is used.

State of Massachusetts: The installation must be made by a licensed plumber or gas fitter in the Commonwealth of Massachusetts.

⚠ WARNING: This product contains and/or generates chemicals known to the State of California to cause cancer or birth defects or other reproductive harm.

IMPORTANT: Read this owner's manual carefully and completely before trying to assemble, operate or service this fireplace. Improper use of this fireplace can cause serious injury or death from burns, fire, explosion, electrical shock and carbon monoxide poisoning.

⚠ DANGER: Carbon monoxide poisoning may lead to death!

This vented gas fireplace is a sealed combustion gas fireplace designed for residential applications. This fireplace must be installed with FMI PRODUCTS, LLC vent pipe components and terminations.

Outside airflex installation is required for both horizontal and vertical installation.

This fireplace complies with the *National Safety Standards* and is listed and tested by the *PFS Corporation to ANSI Z21.50/CSA 2.22* standard as vented gas fireplace.

This fireplace must be installed by a qualified (certified or licensed) service person. It brings in fresh air for combustion through the outer pipe and combustion gases are exhausted through the inner pipe. If the glass door assembly and venting pipe are not properly seated, connected and sealed, carbon monoxide leakage (spillage) can occur.

Carbon Monoxide Poisoning: Early signs of carbon monoxide poisoning resemble the flu, with headaches, dizziness or nausea. If you have these signs, the fireplace may not be working properly. **Get fresh air at once!** Have fireplace serviced. Some people are more

SAFETY

Continued

affected by carbon monoxide than others. These include pregnant women, people with heart or lung disease or anemia, those under the influence of alcohol and those at high altitudes.

Natural and Propane/LP Gas: Natural and propane/LP gas are odorless. An odor-making agent is added to the gas. The odor helps you detect a gas leak. However, the odor added to the gas can fade. Gas may be present even though no odor exists.

Make certain you read and understand all warnings. Keep this manual for reference. It is your guide to safe and proper operation of this fireplace.

⚠ WARNING: Any change to this fireplace or it's controls can be dangerous. Do not modify this fireplace under any circumstances. Any parts removed for servicing must be replaced prior to operating fireplace.

⚠ WARNING: Do not use a blower insert, heat exchanger insert or other accessory not approved for use with this fireplace.

⚠ WARNING: This appliance is only for use with the type of gas indicated on the rating plate. This appliance is not convertible for use with other gases unless a certified kit is used.

⚠ WARNING: Do not allow fans to blow directly into the fireplace. Avoid any drafts that alter burner flame patterns.

Due to high temperatures, the appliance should be located out of traffic and away from furniture and draperies.

Do not place clothing or other flammable material on or near the appliance. Never place any objects on the appliance.

Do not use this fireplace to cook food or burn paper or other flammable material.

This fireplace reaches high temperatures. Keep children and adults away from hot surface to avoid burns or clothing ignition. Fireplace will remain hot for a time after shutdown. Allow surface to cool before touching.

⚠ WARNING



**HOT GLASS WILL
CAUSE BURNS.
DO NOT TOUCH GLASS
UNTIL COOLED.
NEVER ALLOW CHILDREN
TO TOUCH GLASS.**

SAFETY

Continued

Carefully supervise young children when they are in the room with fireplace.

Keep the area around your fireplace clear of combustible materials, gasoline and other flammable vapor or liquids. Do not run fireplace where these are used or stored.

1. For propane/LP fireplace, do not place propane/LP supply tank(s) inside any structure. Locate propane/LP supply tank(s) outdoors. To prevent performance problems, do not use propane/LP fuel tank of less than 100 lb. capacity.
2. If you smell gas
 - shut off gas supply
 - do not try to light any appliance
 - do not touch any electrical switch; do not use any phone in your building
 - immediately call your gas supplier from a neighbor's phone. Follow the gas supplier's instructions
 - if you cannot reach you gas supplier, call the fire department.
3. Never install the fireplace
 - in a recreational vehicle
 - in windy or drafty areas where curtains or other combustible (flammable) objects can make contact with the fireplace front
 - in high traffic areas
4. Turn fireplace off and let cool before servicing, installing or repairing. Only a qualified service person should install, service or repair this fireplace. Have fireplace inspected annually by a qualified service person.
5. You must keep control compartments, burners and circulating air passages clean. More frequent cleaning may be needed due to excessive lint and dust from carpeting, bedding material, etc. Turn off the gas valve and pilot light before cleaning fireplace.
6. Have venting system inspected annually by a qualified service person. If needed, have venting system cleaned or repaired. See *Cleaning and Maintenance*, page 25.
7. Do not use any solid fuels (wood, coal, paper, cardboard, etc.) in this fireplace. Use only the gas type indicated on fireplace nameplate.

8. This appliance, when installed, must be electrically grounded in accordance with local codes or, in the absence of local codes, with the *National Electrical Code, ANSI/NFPA 70* or *Canadian Electrical Code, CSA C22.1*.
9. Do not use fireplace if any part has been exposed to or under water. Immediately call a qualified service person to arrange for replacement of the unit.
10. Do not operate fireplace if any log is broken.
11. Do not operate fireplace with glass door removed, cracked or broken.
12. Provide adequate clearances around air openings.

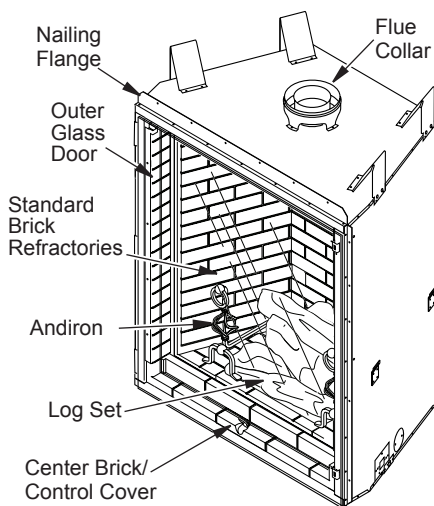
LOCAL CODES

Install and use fireplace with care. Follow all local codes. In the absence to local codes, use the current *National Fuel Gas Code ANSI Z223.1/NFPA 54** (USA) or the current *CSA-B149.1 Installation Code* (Canada).

*Available from:

American National Standards Institute, Inc.
1430 Broadway
New York, NY 10018
National Fire Protection Association, Inc.
Batterymarch Park
Quincy, MA 02269

PRODUCT IDENTIFICATION



**Figure 1 - Direct Vent Fireplace
(DVF-36NSR-C Shown)**

PRODUCT FEATURES

These are a few facts that can help you understand and enjoy your direct vent fireplace:

- The venting system may be routed to the outside of your home in several ways. It may vent through the roof (vertical) or it may vent to an outside/exterior wall (horizontal). The vent pipe installation is very important to allow for proper operation. You must follow the venting instructions very carefully for either vertical or horizontal applications.
- This fireplace may be installed in any room of your house provided all local codes and these installation instructions are followed.
- Each time you turn on your fireplace, you may notice some amount of condensation on the inside of the fireplace glass. This is normal and will disappear after 10-20 minutes of operation.
- Your direct vent gas fireplace system (fireplace and venting) is a balanced and sealed gas operating unit. It requires approximately 10-20 minutes of operating time before the flame pattern stabilizes.
- Models ending in -C have a standard glass inner door. Models ending in -CC have the standard glass inner door with a middle glass door and outer cool touch glass door.

PRE-INSTALLATION

LOCATION AND SPACE REQUIREMENTS

Determine the safest and most efficient location for your direct vent fireplace. Make sure that rafters and wall studs are not in the way of the venting system. Choose a location where the heat output is not affected by drafts, air conditioning ducts, windows or doors. Figure 2 shows some common locations. Be aware of all restrictions and precautions before deciding the exact location for your fireplace and termination cap.

When deciding the location of your fireplace, follow these rules:

- Do not connect this fireplace venting to a chimney flue serving a separate solid-fuel burning fireplace or appliance.
- Due to high temperatures, do not locate this fireplace in high traffic areas, windy or drafty areas or near furniture or draperies.
- Proper clearances must be maintained.
- If your fireplace is to be installed directly on carpeting, vinyl tile or any combustible material other than wood, it must be installed on a metal or wood panel extending the full width and depth of the fireplace (see Figure 3).
- Your fireplace is designed to be used in zero clearance installations. Wall or framing material can be placed directly against any exterior surface on back, sides or top of your fireplace, except where standoff spacers are integrally attached. If standoff spacers are attached to your fireplace, these spacers can be placed directly against wall or framing material. See framing details, page 6.
- When locating termination cap, it is important to observe the minimum clearances shown in Figure 7, page 7.
- If recessing into a wall, you can avoid extra framing by positioning your fireplace against an already existing framing member.
- Do not recess termination cap into a wall or siding.
- You may paint the termination cap with 450° F (232° C) heat-resistant paint to coordinate with the exterior finish.
- There must not be any obstruction such as

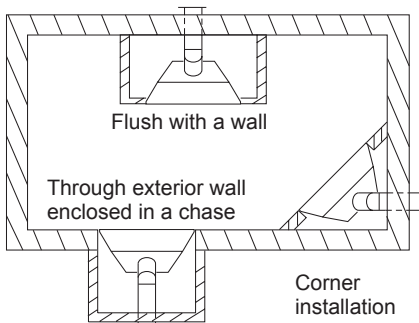


Figure 2 - Common Fireplace Locations

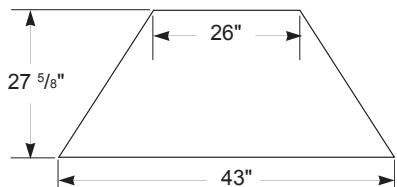


Figure 3 - Fireplace Bottom Dimensions

PRE-INSTALLATION

Continued

bushes, garden sheds, fences, decks or utility buildings within 24" from the front of the termination cap and the front of outside air vent.

- Do not locate termination cap and outside air vent where excessive snow or ice build up may occur. Be sure to clear vent termination area after snow falls to prevent accidental blockage of venting system. When using snow blowers, do not direct snow towards vent termination area.

tel piece, refer to Figure 6 for proper installation height. You can install noncombustible mantels at any height above the fireplace.

Note: Noncombustible mantels may discolor!

CLEARANCES

Minimum clearances to combustibles for the fireplace are as follows:

*Back and sides	0"
Perpendicular walls	6"
Floor	0"
Ceiling to louver opening	42"
Front	36"
Top of Standoffs	0"
Vent	(See venting instructions for specific venting clearances.)

Combustible material with a maximum thickness of 5/8" may be flush with the top front of fireplace.

* For back and sides of fireplace, do not pack with insulation or other materials. 0" clearance to combustible materials are for framing purpose only.

NOTICE: This fireplace is intended for use as supplemental heat. Use this fireplace along with your primary heating system. Do not install this fireplace as your primary heat source. If you have a central heating system, you may run system's circulating blower while using fireplace. This will help circulate the heat throughout the house.

FRAMING AND FINISHING

Figure 4 shows typical framing of this fireplace. Figure 5 shows framing for corner installation. All minimum clearances must be met.

If you are using a separate combustible man-

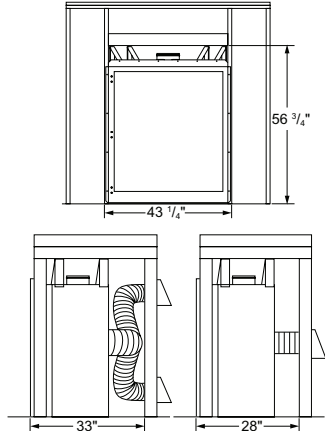


Figure 4 - Framing Clearances with Outside Air Flex Duct

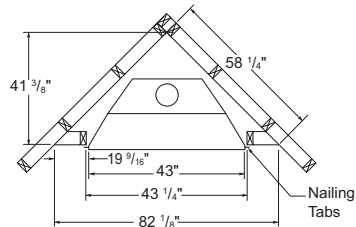


Figure 5 - Framing Clearances for Corner Installation

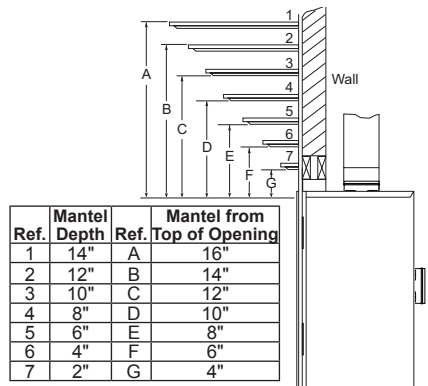
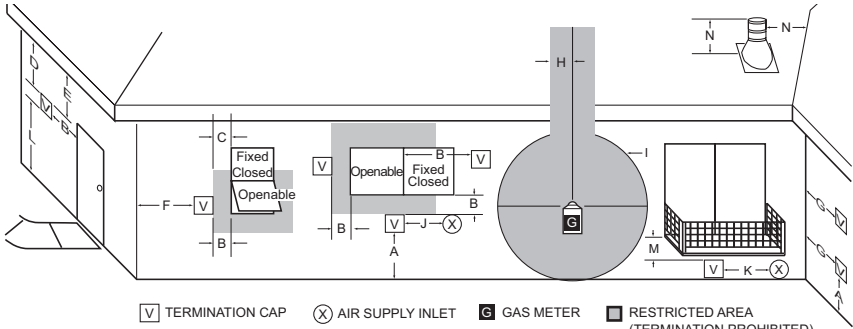


Figure 6 - Clearances for Combustible Mantels

LOCATION OF TERMINATION CAP



- V** TERMINATION CAP **X** AIR SUPPLY INLET **G** GAS METER **■** RESTRICTED AREA (TERMINATION PROHIBITED)
- A** = clearance above grade, veranda, porch, deck, or balcony [*12" (30.5 cm) minimum]
- B** = clearance to window or door that may be opened [6" (15 cm) min. for 10,000 Btu or less; 9" (23 cm) in US if between 10,000 and 50,000, 12" (30 cm) in Canada if between 10,000 and 100,000; 12" (30 cm) in US if greater than 50,000, 36" (91 cm) in Canada if greater than 100,000]
- C** = clearance to permanently closed window [minimum 12" (30.5 cm) recommended to prevent condensation on window]
- D** = vertical clearance to ventilated soffit located above the terminal within a horizontal distance of 24" (61 cm) from the center-line of the terminal [18" (45.7 cm) minimum]
- E** = clearance to unventilated soffit [12" (30.5 cm) minimum]
- F** = clearance to outside corner (see below)
- G** = clearance to inside corner (see below)
- H** = *not to be installed above a meter/regulator assembly within 36" (91.4 cm) horizontally from the center line of the regulator
- I** = clearance to service regulator vent outlet [*72" (182.9 cm) minimum]
- J** = clearance to non-mechanical air supply inlet to building or the combustion air inlet to any other fireplace [6" (15 cm) min. for 10,000 Btu or less; 9" (23 cm) in US if between 10,000 and 50,000, 12" (30 cm) in Canada if between 10,000 and 100,000; 12" (30 cm) in US if greater than 50,000, 36" (91 cm) in Canada if greater than 100,000]
- K** = clearance to a mechanical air supply inlet [*In Canada, 6 ft. (1.83m) minimum; In US 3 ft. (91 cm) above if within 10 ft. (3 m) horizontally]
- L** = † clearance above paved side-walk or a paved driveway located on public property [*84" (213.3 cm) minimum]
- M** = clearance under veranda, porch, deck [*12" (30.5 cm) minimum ‡]
- N** = clearance above a roof shall extend a minimum of 24" (61 cm) above the highest point when it passes through the roof surface and any other obstruction within a horizontal distance of 18" (45.7 cm)

† vent shall not terminate directly above a side-walk or paved driveway which is located between two single family dwellings and serves both dwellings*

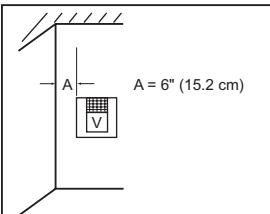
‡ only permitted if veranda, porch, deck or balcony is fully open on a minimum of 2 sides beneath the floor*

* as specified in CAN/CSA B149 (.1 or .2) Installation Codes (1991) for Canada and U.S.A.

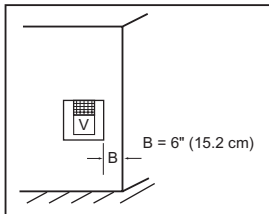
Note: Local codes or regulations may require different clearances

Termination Clearances for Buildings with Combustible and Noncombustible Exteriors

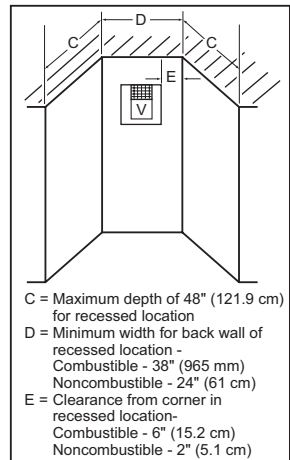
Inside Corner



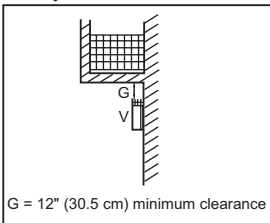
Outside Corner



Recessed Location



Balcony with No Side Wall



Balcony with Perpendicular Side Wall

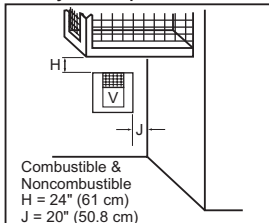


Figure 7 - Minimum Clearances for Termination Cap

REQUIREMENTS FOR THE COMMONWEALTH OF MASSACHUSETTS

For all side wall horizontally vented gas fueled equipment installed in every dwelling, building or structure used in whole or in part for residential purposes, including those owned or operated by the Commonwealth and where the side wall exhaust vent termination is less than seven (7) feet above finished grade in the area of the venting, including but not limited to decks and porches, the following requirements shall be satisfied:

INSTALLATION OF CARBON MONOXIDE DETECTORS

At the time of installation of the side wall horizontally vented gas fueled equipment, the installing plumber or gasfitter shall observe that a hard wired carbon monoxide detector with an alarm and battery backup is installed on the floor level where the gas equipment is to be installed. In addition, the installing plumber or gasfitter shall observe that a battery operated or hard wired carbon monoxide detector with an alarm is installed on each additional level of the dwelling, building or structure served by the side wall horizontal vented gas fueled equipment. It shall be the responsibility of the property owner to secure the services of qualified licensed professionals for the installation of hard wired carbon monoxide detectors.

In the event that the side wall horizontally vented gas fueled equipment is installed in a crawl space or an attic, the hard wired carbon monoxide detector with alarm and battery back-up may be installed on the next adjacent floor level.

In the event that the requirements of this subdivision can not be met at the time of completion of installation, the owner shall have a period of thirty (30) days to comply with the above requirements; provided, however, that during said thirty (30) day period, a battery operated carbon monoxide detector with an alarm shall be installed.

Approved Carbon Monoxide Detectors

Each carbon monoxide detector as required in accordance with the above provisions shall comply with NFPA 720 and be ANSI/UL 2034 listed and IAS certified.

SIGNAGE

A metal or plastic identification plate shall be permanently mounted to the exterior of the building at a minimum height of eight (8) feet above grade directly in line with the exhaust vent terminal for the horizontally vented gas fueled heating appliance or equipment. The sign shall read, in print size no less than 1/2" in size, "GAS VENT DIRECTLY BELOW. KEEP CLEAR OF ALL OBSTRUCTIONS".

INSPECTION

The state or local gas inspector of the side wall horizontally vented gas fueled equipment shall not approve the installation unless, upon inspection, the inspector observes carbon monoxide detectors and signage installed in accordance with the provisions of 248 CMR 5.08(2)(a) 1 through 4.

EXEMPTIONS: The following equipment is exempt from 248 CMR 5.08(2)(a) 1 through 4:

- The equipment listed in Chapter 10 entitled "Equipment Not Required To Be Vented" in the most current edition of NFPA 54 as adopted by the Board; and
- Product Approved side wall horizontally vented gas fueled equipment installed in a room or structure separate from the dwelling, building or structure used in whole or in part for residential purposes.

MANUFACTURER REQUIREMENTS

Gas Equipment Venting System Provided

When the manufacturer of Product Approved side wall horizontally vented gas equipment provides a venting system design or venting system components with the equipment, the instructions provided by the manufacturer for installation of the equipment and the venting system shall include:

- Detailed instructions for the installation of the venting system design or the venting system components; and
- A complete parts list for the venting system design or venting system.

Gas Equipment Venting System Not Provided

When the manufacturer of a Product Approved side wall horizontally vented gas fueled equipment does not provide the parts for venting the flue gases, but identifies "special venting systems", the following requirements shall be satisfied by the manufacturer:

- The referenced "special venting system" instructions shall be included with the appliance or equipment installation instructions; and
- The "special venting systems" shall be Product Approved by the Board, and the instructions for that system shall include a parts list and detailed installation instructions.

A copy of all installation instructions for all Product Approved side wall horizontally vented gas fueled equipment, all venting instructions, all parts lists for venting instructions, and/or all venting design instructions shall remain with the appliance or equipment at the completion of the installation.

VENTING INSTALLATION

NOTICE: Read these instructions completely before attempting installation.

These models are tested and approved for use with FMI PRODUCTS, LLC (direct vent) pipe components and terminations.

The venting system must terminate on the outside of the structure and can not be attached to a chimney or flue system serving a separate solid fuel or gas burning appliance. A direct vent appliance must have its own venting system. DO NOT common vent this appliance.

These models are approved to be vented either horizontally through an outside wall or vertically through a roof or chase enclosure using the following guidelines:

- When venting system terminates horizontally on an outside wall, you may install a standoff if the termination cap is to be installed directly on a combustible finish such as vinyl, wood, stucco, etc.
- Never run the vent downward as this may cause excessive temperatures which could cause a fire.
- Vent pipe air space clearances to combustibles are 1" on all sides except on the horizontal sections, which requires 2" clearance from the top of the pipe. Where the termination cap penetrates a combustible wall, 1" air space clearance is required.
- Have fireplace and selected vent components on hand to help determine the exact measurements when elbowing or offsetting. Always use wall firestops when penetrating walls and firestops when penetrating ceilings or attic spaces.
- For installation of fireplace at elevations of 4000 feet or greater, pay special attention to venting requirement recommendations.

⚠ WARNING: Read all instructions completely and thoroughly before attempting installation. Failure to do so could result in serious injury, property damage or loss of life.

NOTICE: Failure to follow these instructions will void the warranty.

NOTICE: Do not seal termination cap to vent pipe. Cap must be removable for vent inspection and maintenance.

INSTALLATION PRECAUTIONS

- Wear gloves and safety glasses for protection
- Use extreme caution when using ladders or when on roof tops
- Be aware of electrical wiring locations in walls and ceilings

The following actions will void the warranty on your venting system:

- Installation of any damaged venting component
- Unauthorized modification of the venting system (Do not cut or alter vent components)
- Installation of any component part not manufactured or approved by FMI PRODUCTS, LLC
- Installation other than as instructed by these instructions

⚠ WARNING: This gas fireplace and vent assembly must be vented directly to the outside. The venting system must NEVER be attached to a chimney serving a separate solid fuel burning appliance. Each direct vent gas appliance must use a separate vent system. Do not use common vent systems.

⚠ WARNING: Vent pipe air space clearances to combustibles are 1" on all sides except on the horizontal sections, which require 2" clearances from the top of the pipe. Where the termination cap penetrates a combustible wall, 1" air space clearance is required.

VENTING INSTALLATION

Continued

INSTALLATION PLANNING

There are two basic types of direct vent installation:

- Horizontal Termination
- Vertical Termination

Outside air flex installation is required for both horizontal and vertical installation (see page 13).

Horizontal Termination Installation

IMPORTANT: Horizontal square terminations require only inner portion of wall firestop. Horizontal installations using round termination require exterior portion of wall firestop.

1. Set fireplace in its desired location and determine the route your horizontal venting will take. Do not secure fireplace until all venting has been installed. Some installations require sliding fireplace in and out of position to make final venting connections. Figures 14 and 15 on page 12 show different configurations for venting with horizontal termination that will help you decide which application best suits your installation. Check to see if wall studs or roof rafters are in the path of your desired venting route. If they are, you may want to adjust location of fireplace.

2. Direct vent pipe sections and components are designed with special twist-lock connections.

Twist-Lock Procedure: Female ends of pipes have locking lugs (indentations). These lugs will slide straight into matching slots on male ends of adjacent pipes. Push pipe sections together and twist one section clockwise approximately one-quarter turn until sections are fully locked (see Figure 8).

Note: Horizontal runs of vent must be supported every three feet. Use wall straps for this purpose.

3. Assemble desired combination of pipe and elbows to fireplace flue collar. If there are long portions of venting run, pre-assembled pipe sections may be installed as subassemblies for convenience.
4. Carefully determine location where vent pipe assembly will penetrate outside wall.

Center of hole should line up with center line of horizontal vent pipe. Mark wall for an $11 \frac{1}{2}$ " x $11 \frac{1}{2}$ " square hole. Cut and frame square hole in exterior wall where vent will be terminated. If wall being penetrated is constructed of noncombustible material, such as masonry block or concrete, a $8 \frac{1}{2}$ " hole with zero clearance is acceptable (see Figure 9).

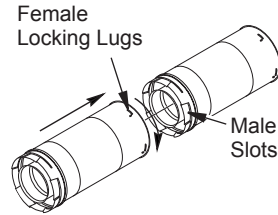


Figure 8 - Vent Pipe Connections

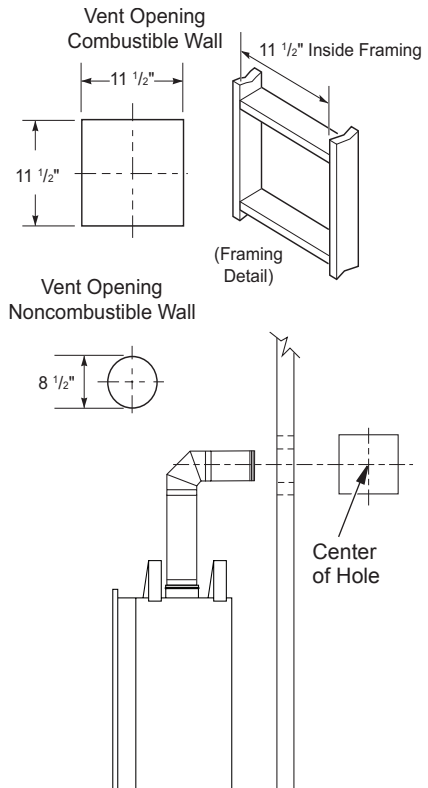


Figure 9 - Vent Opening Requirements

VENTING INSTALLATION

Continued

⚠ WARNING: Do not recess vent termination into any wall. This will cause a fire hazard.

5. **Noncombustible Exterior Wall:** Position horizontal vent cap in center of the 8 1/2" round hole and attach to exterior wall with four wood screws provided. Before attaching vent cap to exterior wall, run a bead of non-hardening mastic (pliable sealant) around outside edges to make a seal between it and outside wall.

Note: Four wood screws provided should be replaced with appropriate fasteners for stucco, brick, concrete or other types of sidings (see Figure 10).

Combustible Exterior Wall: For vinyl siding, stucco or wood exteriors, a siding standoff may be installed between vent cap and exterior wall. Siding standoff prevents excessive heat from damaging siding materials. Siding material must be cut to accommodate standoff. Bolt vent cap to standoff. Apply non-hardening mastic around outside edge of standoff. Position standoff/cap assembly in the center of 11 1/2" square hole and attach to exterior wall with provided wood screws (see Figure 11). Siding standoff must sit flush against exterior fascia material.

6. **Connecting Vent Cap with Horizontal Vent Pipe:** Slide wall firestop over vent pipe before connecting horizontal run to vent cap (see Figure 12).

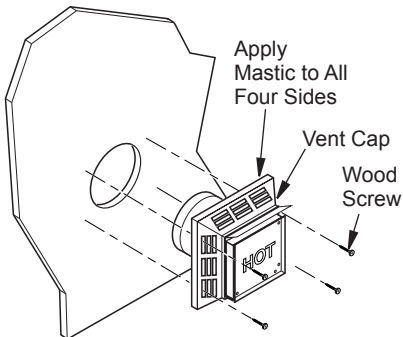


Figure 10 - Installing Horizontal Vent Cap (Noncombustible Exterior)

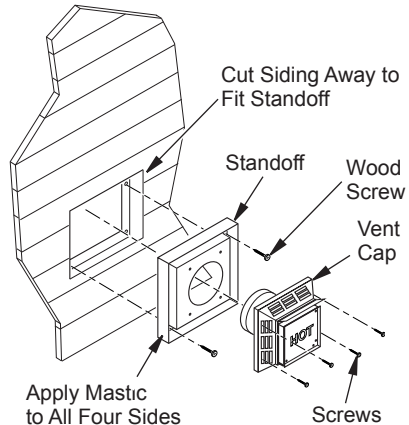


Figure 11 - Installing Siding Standoff (Combustible Exterior Wall)

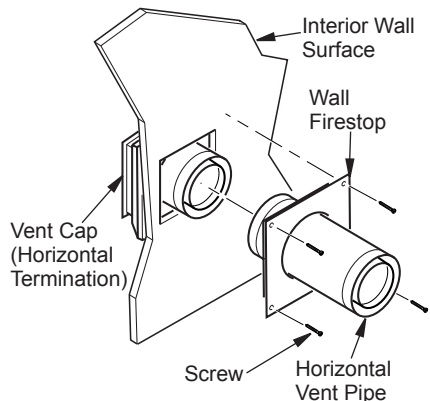


Figure 12 - Connecting Vent Cap with Horizontal Vent Pipe

Carefully move fireplace, with vent assembly attached, toward wall and insert vent pipe into horizontal termination. Pipe overlap should be a minimum of 1 1/4" (see Figure 13, page 12).

Slide wall firestop against interior wall surface and attach with screws provided. See Figure 13, page 12, for horizontal termination details.

Place fireplace into position and shim with noncombustible material if needed. Nail or screw side flanges to framing to secure unit in place. **IMPORTANT:** Make sure fireplace is level before securing. If fireplace is not level it will not work properly.

VENTING INSTALLATION

Continued

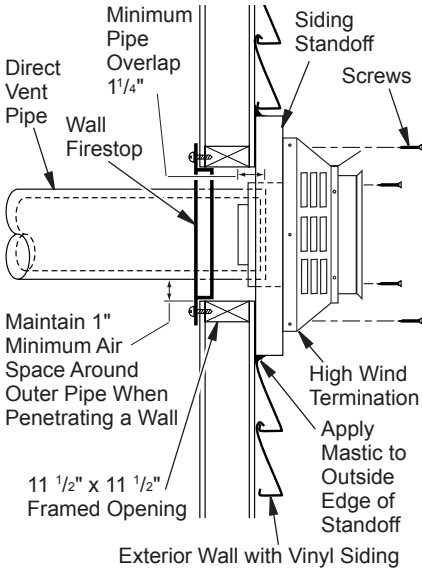


Figure 13 - Typical Horizontal Termination Cap Mounting with Additional Siding Standoff Installed

Horizontal Termination Configurations

Figures 14 and 15 show different configurations and alternatives for venting with horizontal termination. Each figure includes a chart with critical minimum and maximum dimensions which MUST be met.

NOTICE: Do not seal termination cap to vent pipe. Cap must be removable for vent inspection and maintenance.

WARNING: Never run vent downward as this may cause excessive temperatures which could cause a fire. Operation of improperly installed and maintained venting system could result in serious injury, property damage or loss of life.

GROUND FLOOR INSTALLATION

Recommended Applications:

- Installation using cabinet surrounds
- Through the wall using round or square termination.
- NOT FOR CORNER INSTALLATION

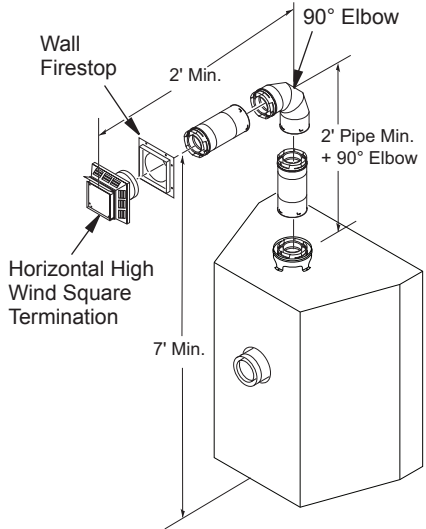
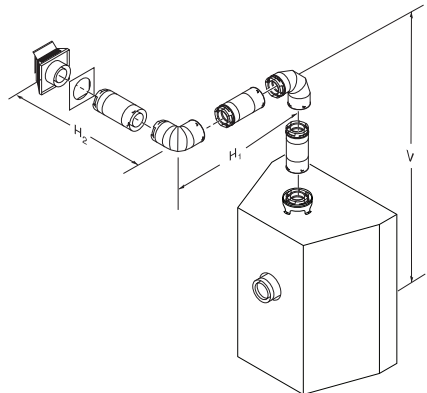


Figure 14 - Horizontal Termination Using One 90 Degree Elbow



Venting with Two 90° Elbows	
Vertical (V)	Horizontal (H ₁) + Horizontal (H ₂)
7' min.	18' max.
8' min.	20' max.
20' max.	20' max.

Figure 15 - Horizontal Termination Using Two 90 Degree Elbows

VENTING INSTALLATION

Continued

Vertical Termination Installation

Note: Vertical restrictor must be installed in all vertical installations.

1. Determine route your vertical venting will take. If ceiling joists, roof rafters or other framing will obstruct venting system, consider an offset (see Figure 16) to avoid cutting load bearing members. Note: Pay special attention to these installation instructions for required clearances (air space) to combustibles when passing through ceilings, walls, roofs, enclosures, attic rafters, etc. Do not pack air spaces with insulation. Also note maximum vertical rise of venting system and any maximum horizontal offset limitations.

2. Set fireplace in desired location. Drop a plumb line down from ceiling to position of fireplace exit flue. Mark center point where vent will penetrate ceiling. Drill a small locating hole at this point.

Drop a plumb line from inside of roof to locating hole in ceiling. Mark center point where vent will penetrate roof. Drill a small locating hole at this point.

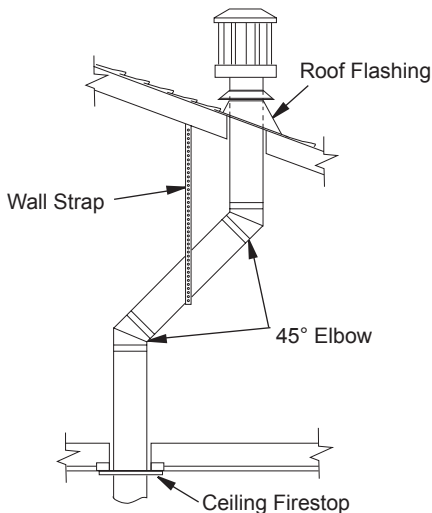


Figure 16 - Offset with Wall Strap and 45° Elbows

Flat Ceiling Installation

1. Cut a 11 1/2" square hole in ceiling using locating hole as a center point. Opening should be framed to 11 1/2" x 11 1/2" inside dimensions, as shown in Figure 8 on page 9 using framing lumber the same size as ceiling joists. If area above ceiling is an insulated ceiling or an attic, nail firestop from top side. This prevents loose insulation from falling into required clearance space. If area above ceiling is a living space, install firestop below framed hole. Firestop should be installed with no less than three nails per side (see Figure 17).

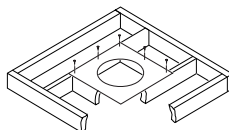
2. Assemble desired lengths of pipe and elbows necessary to reach from fireplace flue up through firestop. Be sure all pipe and elbow connections are fully twist-locked (see Figure 8, page 10).

3. Cut a hole in the roof using locating hole as a center point. (Cover any exposed open vent pipes before cutting hole in roof.) The 11 1/2" x 11 1/2" hole must be measured on the horizontal; actual length may be larger depending on pitch of roof. There must be a 1" clearance from vent pipe to combustible materials. Frame opening as shown in Figure 9, page 10.

4. Connect a section of pipe and extend up through hole.

Note: If an offset is needed to avoid obstructions, you must support vent pipe every 3 feet. Use wall straps for this purpose (see Figure 15, page 12). Whenever possible, use 45° elbows instead of 90° elbows. The 45° elbow offers less restriction to the flow of flue gases.

If area above is an attic or insulated area, install firestop above framed hole.



If area above is a living space, install firestop below framed hole.

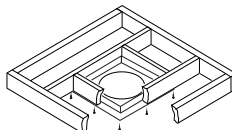


Figure 17 - Installing Firestop

VENTING INSTALLATION

Continued

- Place flashing over pipe section(s) extending through roof. Secure base of flashing to roof and framing with roofing nails. Be sure roofing material overlaps top edge of flashing as shown in Figure 16, page 13. There must be a 1" clearance from vent pipe to combustible materials.
- Continue to add pipe sections until height of vent cap meets the minimum building code requirements described in Figure 7 on page 7.

Note: You must increase vent height for steep roof pitches. Nearby trees, adjoining rooflines, steep pitched roofs and other similar factors may cause poor draft or down-drafting in high winds. Increasing vent height may solve this problem.

- Twist-lock vent cap onto last section of vent pipe.

Note: If vent pipe passes through any occupied areas above first floor, including storage spaces and closets, you must enclose pipe. You may frame and sheetrock enclosure with standard construction material. Make sure and meet the minimum allowable clearances to combustibles. Do not fill any required air spaces with insulation.

Vertical Termination Configurations

Figure 18 shows the configurations for vertical termination.

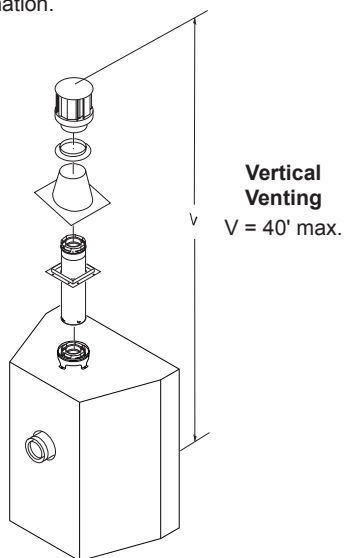


Figure 18 - Vertical Venting Configuration

OUTSIDE AIR FLEX INSTALLATION

Outside air flex installation is required for both horizontal and vertical venting installation. There are 2 outside air flex kits available for purchase (see Parts List for Venting Kits and Components, page 15).

Construct a 8 1/2" x 8 1/2" framing or opening on exterior wall (see Figure 19). Install outside air vent termination in a location that would not eventually be obstructed by bushes, snow or other obstructions. Locate outside air vent near fireplace to make flex duct installation easier.

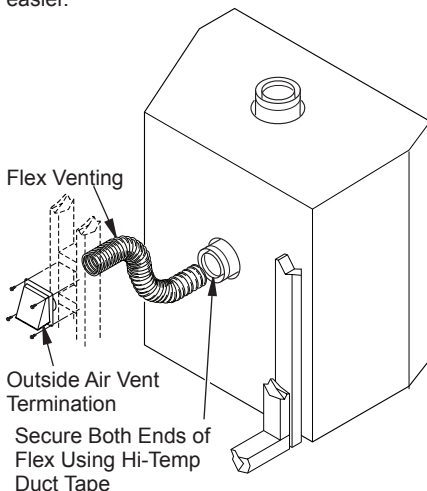


Figure 19 - Outside Air Flex Duct Installation

HIGH ALTITUDE INSTALLATION

Your FMI PRODUCTS, LLC direct vent fireplace has been tested and approved for elevations from 0-2000 feet (USA).

When installing at an elevation above 2000 feet (in the USA), you may need to decrease the input rating by changing the existing burner orifice to a smaller size. Reduce input 4% for each 1000 feet above sea level. Check with your local gas company for proper orifice size identification.

When installing this fireplace at an elevation above 4500 feet, check with local authorities.

VENTING INSTALLATION

Continued

PARTS LIST FOR VENTING KITS AND COMPONENTS

FMI PRODUCTS, LLC (5"/8") Pipe & Vent Kits

<u>Number</u>	<u>Description</u>
P58-6	6" Section Double Wall Pipe, Galvanized
P58-12	12" Section Double Wall Pipe, Galvanized
P58-24	24" Section Double Wall Pipe, Galvanized
P58-36	36" Section Double Wall Pipe, Galvanized
P58-48	48" Section Double Wall Pipe, Galvanized
PA58-712	Adjustable 7"-12" Section Double Wall Pipe, Galvanized
E58-45	45° Elbow, Galvanized
E58-90	90° Elbow, Galvanized
HTS-58	Horizontal Square Termination,

<u>Number</u>	<u>Description</u>
VT-58	Vertical Round Termination, Galvanized
SC-58	Storm Collar, Galvanized
WF-58	Wall Firestop, Galvanized
RF-58-6	Roof Flashing - 0 to 6/12 Pitch, Galvanized
RF-58-12	Roof Flashing - 6/12 to 12/12 Pitch, Galvanized
VR-58	Vertical Restrictor, Galvanized
S-58	Vinyl Siding Standoff, Galvanized
WS-58	Wall Strap
CS-58	Cathedral Ceiling Support
FP-58	Firestop Plate
SF-58	Stucco Flashing - For use with HTS-58
RF-58	Flat Roof Flashing
AK6-37	37" Outside Air Flex Vent Kit
AK6-75	75" Outside Air Flex Vent Kit

FIREPLACE INSTALLATION

CHECK GAS TYPE

Use proper gas type for the fireplace unit you are installing. If you have conflicting gas types, do not install fireplace. See retailer where you purchased the fireplace for proper fireplace according to your gas type.

INSTALLING GAS PIPING TO FIREPLACE LOCATION

⚠ WARNING: A qualified service person must connect fireplace to gas supply. Follow all local codes.

⚠ CAUTION: For propane/LP units, never connect fireplace directly to the propane/LP supply. This heater requires an external regulator (not supplied). Install the external regulator between the fireplace and propane/LP supply.

⚠ WARNING: For natural gas, never connect fireplace to private (non-utility) gas wells. This gas is commonly known as wellhead gas.

Installation Items Needed

Before installing fireplace, make sure you have the items listed below.

- external regulator (supplied by installer)
- piping (check local codes)
- sealant (resistant to propane/LP gas)
- equipment shutoff valve *
- test gauge connection *
- sediment trap
- tee joint
- pipe wrench
- approved flexible gas line with gas connector (if allowed by local codes)

* A equipment shutoff valve with 1/8" NPT tap is an acceptable alternative to test gauge connection. Purchase the equipment shutoff valve from your retailer.

FIREPLACE INSTALLATION

Continued

For propane/LP connection only, the installer must supply an external regulator. The external regulator will reduce incoming gas pressure. You must reduce incoming gas pressure to between 11" and 14" of w.c. pressure. If you do not reduce incoming gas pressure, fireplace regulator damage could occur. Install external regulator with the vent pointing down as shown in Figure 20. Pointing the vent down protects it from freezing rain or sleet.

CAUTION: Use only new, black iron or steel pipe. Internally-tinned copper tubing may be used in certain areas. Check your local codes. Use pipe of 1/2" diameter or greater to allow proper gas volume to fireplace. If pipe is too small, undue loss of volume will occur.

Installation must include an equipment shutoff valve, union and plugged 1/8" NPT tap. Locate NPT tap within reach for test gauge hook up. NPT tap must be upstream from fireplace (see Figure 21).

IMPORTANT: Install main gas valve (equipment shutoff valve) in an accessible location. The main gas valve is for turning on or shutting off the gas to the appliance.

Check your building codes for any special requirements for locating equipment shutoff valve to fireplaces.

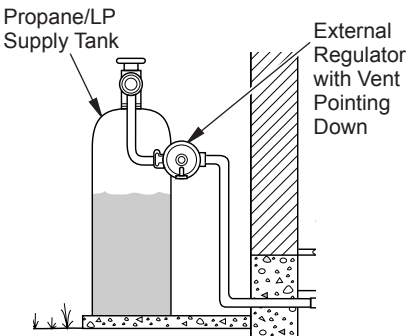


Figure 20 - External Regulator with Vent Pointing Down (Propane/LP Only)

Apply pipe joint sealant lightly to male NPT threads. This will prevent excess sealant from going into pipe. Excess sealant in pipe could result in clogged fireplace valves.

WARNING: Use pipe joint sealant that is resistant to liquid petroleum (LP) gas.

We recommend that you install a sediment trap/drip leg in supply line as shown in Figure 21. Locate sediment trap/drip leg where it is within reach for cleaning. Install in piping system between fuel supply and fireplace. Locate sediment trap/drip leg where trapped matter is not likely to freeze. A sediment trap traps moisture and contaminants. This keeps them from going into fireplace gas controls. If sediment trap/drip leg is not installed or is installed wrong, fireplace may not run properly.

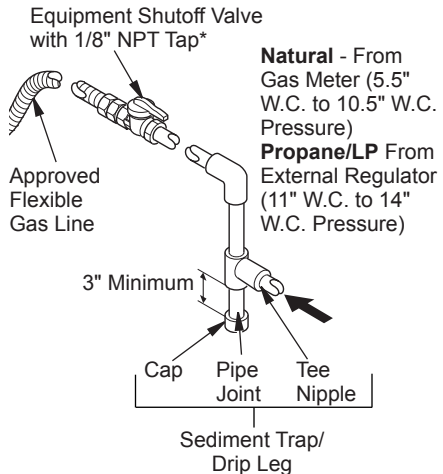


Figure 21 - Gas Connection

* The equipment shutoff valve may be supplied with the appliance or you can purchase it from your retailer.

CONNECTING FIREPLACE TO GAS SUPPLY

Installation Items Needed

- 5/16" hex socket wrench or nut-driver
- sealant (resistant to propane/LP gas, not provided)

FIREPLACE INSTALLATION

Continued

1. Route flexible gas line (provided by installer) from equipment shutoff valve to fireplace. Route flexible gas supply line through one of the access holes on side of fireplace.
2. Attach flexible gas line from gas supply to control valve (see Figure 22).
3. Check all gas connections for leaks. See [Checking Gas Connections](#).
3. Pressurize supply piping system by either opening propane/LP supply tank valve for propane/LP gas fireplace or opening main gas valve located on or near gas meter for natural gas fireplace or using compressed air.
4. Check all joints of gas supply piping system. Apply noncorrosive leak detection fluid to all joints. Bubbles forming show a leak. Correct all leaks at once.
5. Reconnect fireplace and equipment shutoff valve to gas supply. Check reconnected fittings for leaks.

CHECKING GAS CONNECTIONS

⚠ WARNING: Test all gas piping and connections, internal and external to unit, for leaks after installing or servicing. Correct all leaks at once.

⚠ WARNING: Never use an open flame to check for a leak. Apply noncorrosive leak detection fluid to all joints. Bubbles forming show a leak. Correct all leaks at once.

PRESSURE TESTING GAS SUPPLY PIPING SYSTEM

Test Pressures In Excess Of 1/2 PSIG (3.5 kPa)

1. Disconnect fireplace and its individual equipment shutoff valve from gas supply piping system. Pressures in excess of 1/2 psig (3.5 kPa) will damage fireplace gas regulator.
2. Cap off open end of gas pipe where equipment shutoff valve was connected.

Test Pressures Equal To or Less Than 1/2 PSIG (3.5 kPa)

1. Close equipment shutoff valve (see Figure 23).
2. Pressurize supply piping system by either opening propane/LP supply tank valve for propane/LP gas fireplace or opening main gas valve located on or near gas meter for natural gas fireplace or using compressed air.
3. Check all joints from propane/LP supply tank or gas meter to equipment shutoff valve (see Figure 24 or Figure 25, page 18). Apply noncorrosive leak detection fluid to all joints. Bubbles forming show a leak.
4. Correct all leaks at once.

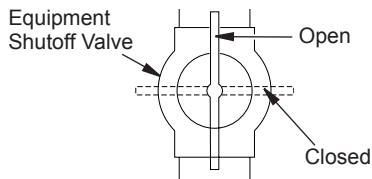
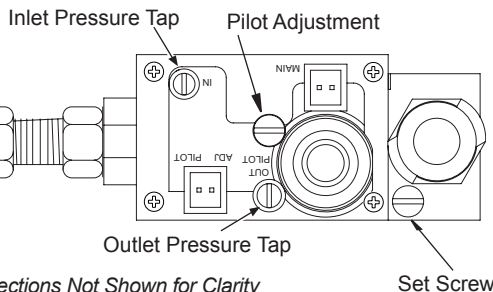
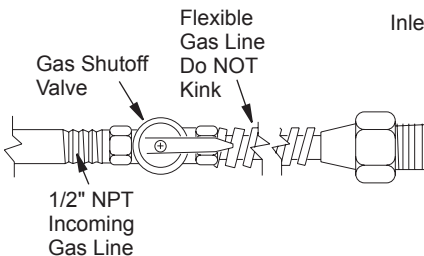


Figure 23 - Equipment Shutoff Valve



Note: Wire Connections Not Shown for Clarity

Figure 22 - Connecting Flexible Gas Line to Electronic Valve

FIREPLACE INSTALLATION

Continued

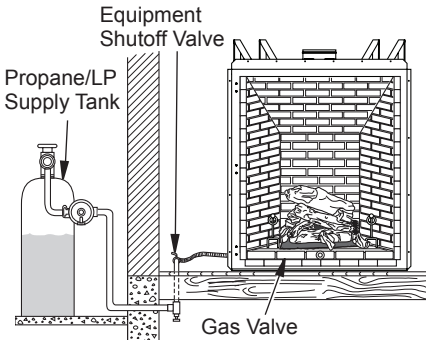


Figure 24 - Checking Gas Joints for Propane/LP Gas Fireplace

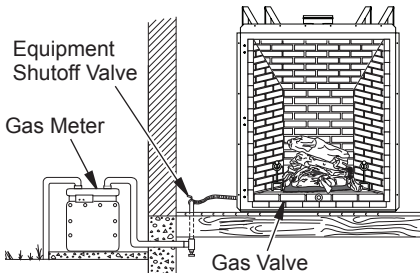


Figure 25 - Checking Gas Joints for Natural Gas Fireplace

PRESSURE TESTING FIREPLACE GAS CONNECTIONS

1. Open equipment shutoff valve (see Figure 23, page 17).
2. Open propane/LP supply tank valve for propane/LP fireplace or main gas valve located on or near gas meter for natural gas fireplace.
3. Make sure control knob of fireplace is in the OFF position.
4. Check all joints from equipment shutoff valve to gas valve (see Figure 24 or Figure 25). Apply noncorrosive leak detection fluid to all joints. Bubbles forming show a leak. Correct all leaks at once.
5. Light fireplace (see *Operation*, page 21). Check all other internal joints for leaks.
6. Turn off fireplace (see *To Turn Off Gas to Appliance*, page 23).

REMOVING/REPLACING GLASS DOORS

WARNING



HOT GLASS WILL CAUSE BURNS.
DO NOT TOUCH GLASS UNTIL COOLED.
NEVER ALLOW CHILDREN TO TOUCH GLASS.

CAUTION: Do not operate this fireplace with a broken glass door panel or without the glass door panel securely in place. For replacement part information see *Replacement Parts*, page 26.

CAUTION: Wear gloves and safety glasses while handling or removing broken glass. Do not remove if glass is hot. Keep children and pets away from glass.

WARNING: If fireplace has been running, turn off fireplace. Let cool before removing glass doors.

WARNING: More than one person is required when replacing glass.

Standard Glass Models ending in -C have only an inner door to be removed/replaced. Cool Touch Glass Models ending in -CC have an inner, middle and outer door.

Installing Middle Door (Cool Touch Glass Models ending in -CC Only)

Middle door hangs on 2 hinges from top of inner glass door (see Figure 26, page 19).

1. Remove middle door from packaging.
2. Angle middle door so top goes into fireplace first. Hang middle door on brackets at top of inner door (see Figure 26, page 19).

FIREPLACE INSTALLATION

Continued

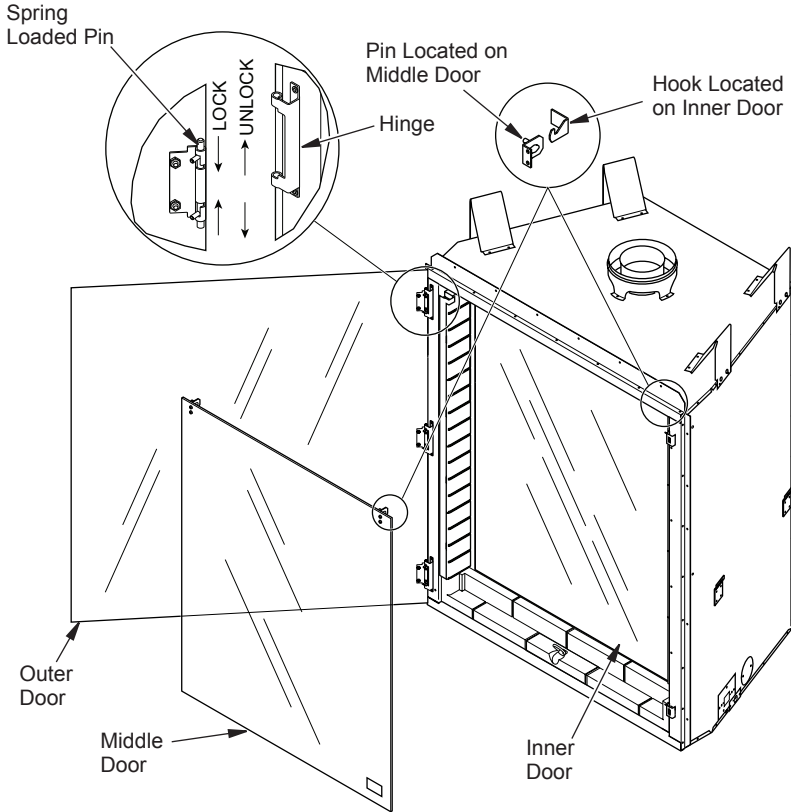


Figure 26 - Removing/Installing Middle Door

Installing Outer Door (Cool Touch Glass Models ending in -CC Only)

1. Remove outer door from packaging.
2. There are three spring loaded pins on outer door. Set pins to the locked position (see Figure 26).
3. Position outer door so pins line up with mating hinges on fireplace. Holding door in place, release locks on spring loaded pins (see Figure 26).

Removing and Installing Cool Touch Glass (Models ending in -CC Only)

Cool touch glass is factory installed.

1. Open outer door. Secure door in open position to avoid accidental breakage.
2. Remove middle door by lifting from hinges (see Figure 26). Set aside to avoid scratches or damage.

3. Follow these instructions in reverse to reinstall.

Removing and Installing Inner Door (All Models)

1. Remove screen and rod (see Figure 27, page 20).
2. Remove side bricks from top to bottom (see Figure 27, page 20).
3. Remove bottom bricks, starting with middle section (see Figure 27, page 20).
4. While holding inner door, release 6 latches, 3 top and 3 bottom (see Figure 28, page 20).
5. Slowly tilt open glass at a 30° angle and lift up to release glass from bottom retainer (see Figure 28, page 20).
6. Follow these instructions in reverse to reinstall.

FIREPLACE INSTALLATION

Continued

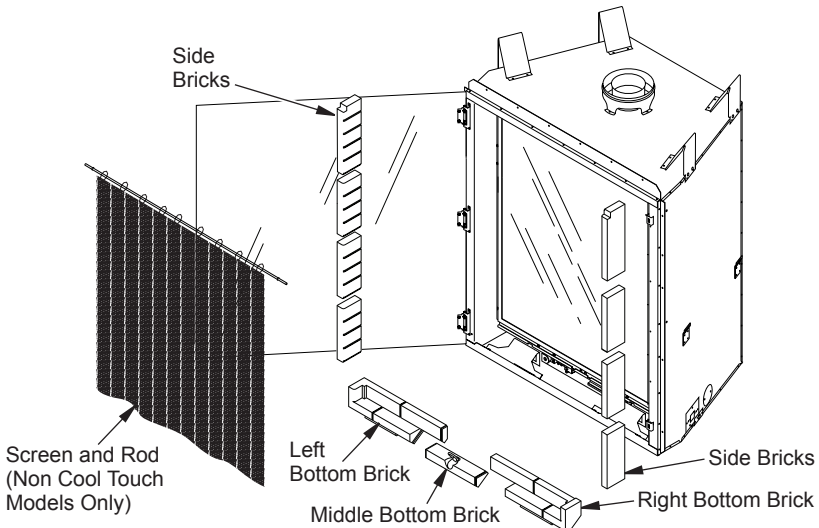


Figure 27 - Removing/Installing Brick, Side Trim and Screen

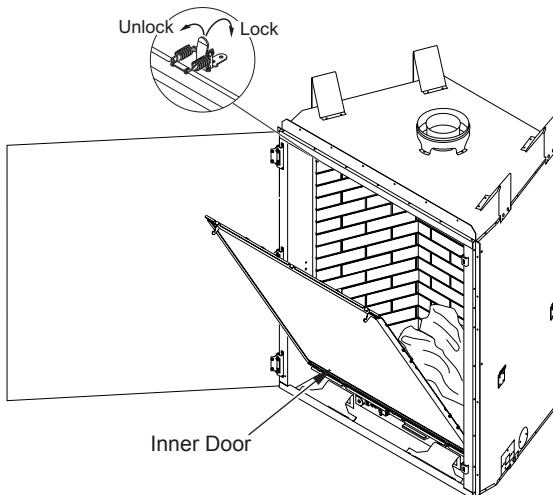


Figure 28 - Removing/Installing Inner Door

LAVA ROCK, EMBER FLAKES AND SCRAP LOG INSTALLATION

Lava rock, ember flakes and scrap log pieces are included with your fireplace. Install these items while glass doors are open and/or removed.

1. Follow instructions from *Removing and Installing Inner Door*, page 19, to move glass out of the way of this installation.
2. Place lava rock around base of burner. Make sure burner ports are not covered (see Figure 29, page 21).

FIREPLACE INSTALLATION

Continued

- Place ember flakes around front and sides of burner and on burner ports (see Figure 30). This will create the glowing ember appearance as the flame touches the ember flakes. Do not block burner ports or pilot ports by overlapping ember flakes in one area. It is not necessary to use all ember material provided.
- Place scrap log pieces randomly as shown in Figure 31 on lava rock and around (but not on) burner ports.



Figure 29 - Installing Lava Rock

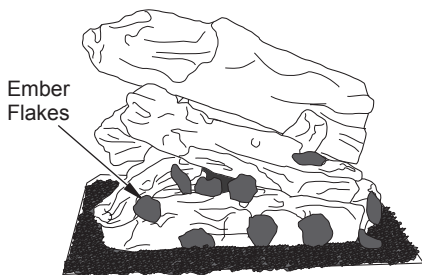
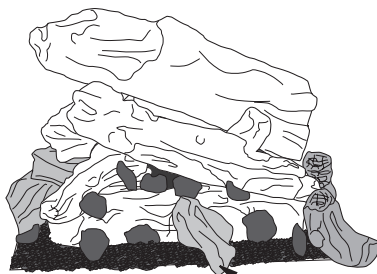


Figure 30 - Installing Ember Flakes



Scrap Log Pieces

Figure 31 - Installing Scrap Log Pieces

REPLACING BATTERIES IN HAND-HELD REMOTE CONTROL AND AC BATTERY BACKUP

Replacing Batteries in AC Battery Backup

- Remove bottom access door.
- Remove battery pack from metal housing.
- Remove existing batteries. Install 4 AA batteries into battery pack following positive and negative directions.
- Insert battery pack back into metal housing.
- Replace bottom access door.

Installing Batteries in Remote Control Unit

- Remove battery cover on back of remote control unit.
- Remove battery.
- Install 1 A23/12V battery following positive and negative directions.
- Replace battery cover onto remote control unit.

OPERATION

**FOR YOUR SAFETY
READ BEFORE LIGHTING**

WARNING: If you do not follow these instructions exactly, a fire or explosion may result causing property damage, personal injury or loss of life.

- A. This appliance is equipped with an ignition device which automatically lights the pilot. Do not light pilot by hand.

- B. **BEFORE LIGHTING** smell all around the appliance area for gas. Be sure to smell next to the floor because some gas is heavier than air and will settle on the floor.

WHAT TO DO IF YOU SMELL GAS

- Do not try to light any appliance.
- Do not touch any electric switch; do not use any phone in your building.
- Immediately call your gas supplier from a neighbor's phone. Follow the gas supplier's instructions.


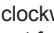
OPERATION

Continued

- C. Do not use this appliance if any part has been under water. Immediately call a qualified service technician to inspect the appliance and to replace any part of the control system and any gas control which has been under water.

LIGHTING INSTRUCTIONS

NOTICE: During initial operation of new fireplace, burning logs will give off a paper-burning smell. Orange flame will also be present. Open damper or window to vent smell. This will only last a few hours.

1. STOP! Read the safety information, column 1.
2. Turn off all electric power to fireplace.
3. Turn safety shutoff switch to the OFF position.
4. Remove center brick/control cover.
5. Turn equipment shutoff valve clockwise  to the OFF position (see Figure 34, page 23). Do not force.
6. Wait five (5) minutes to clear out any gas. Then smell for gas, including near the floor. If you smell gas, STOP! Follow "B" in the safety information on page 22. If you don't smell gas, go to the next step.
7. Turn equipment shutoff valve counter-clockwise  to the ON position. Do not force.
8. Replace center brick/control cover.
9. Turn on all electric power to appliance.
10. Turn safety shutoff switch to the ON position.
11. Visually locate pilot. Ignitor should begin to spark and main burner should ignite once flame appears at pilot.

- If lighting appliance for the first time each season, it may take several attempts before supply gas can reach pilot and main burners.
- If appliance will not stay lit after several attempts, follow instructions under To Turn Off Gas To Appliance and call your service technician or gas supplier.

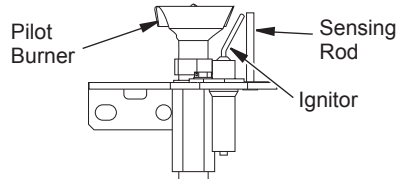
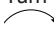


Figure 33 - Pilot

TO TURN OFF GAS TO APPLIANCE

1. Turn off safety shutoff switch.
2. Turn off all electric power to appliance if service is to be performed.
3. Remove center brick/control cover.
4. Turn equipment shutoff valve clockwise  to OFF. Do not force.
5. Replace center brick/control cover.

REMOTE OPERATION

1. Turn equipment shutoff valve to ON position. You can now turn the burner on and off with hand-held remote control unit.
IMPORTANT: Be sure to press ON/OFF buttons on hand-held remote control unit for up to 3 seconds to assure proper operation.
2. Press ON/OFF button to turn burner on and off.

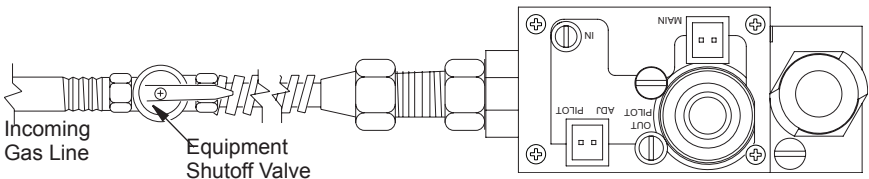
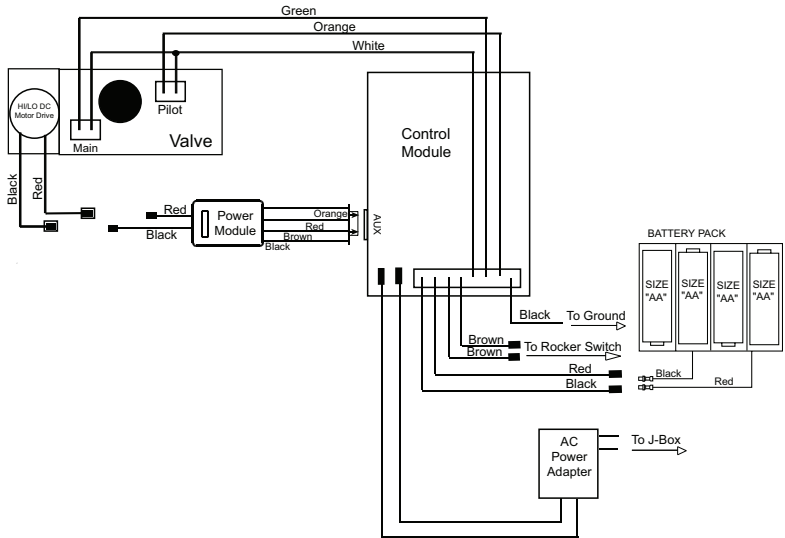


Figure 32 - Turning Equipment Shutoff Valve to the OFF Position

WIRING DIAGRAM



GAS CONTROL MODULE SYSTEM

The module has 2 special features built into the system.

CONTINUOUS PILOT FEATURE

This allows the change from a spark to pilot system to a standing pilot system

1. There is a switch located on the right side of the module that reads CONTINUOUS PILOT ON/OFF. This switch selects the pilot's mode of operation (Figure 33).
2. When the continuous pilot switch is in the OFF position and the appliance rocker switch is turned ON, the pilot will spark and light. When the appliance rocker switch is turned OFF, the pilot will shut OFF when the main burner shuts OFF.
3. When the continuous pilot switch is in the ON position and the appliance rocker switch is turned ON, the pilot will spark and light. When the appliance rocker switch is turned OFF, the pilot will stay ON when the main burner shuts OFF.
4. The continuous pilot mode can also be activated by the Remote Control.

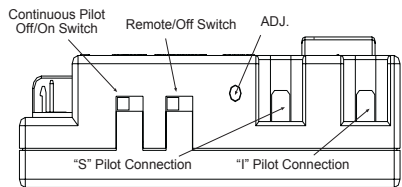


Figure 33 - Gas Module Right Side

REMOTE CONTROL FEATURE

The module has a built in remote control receiver that allows the user to program the remote transmitter at any time during or after the installation of the burner.

1. There is a switch located on the right side of the module that reads REMOTE/OFF (Figure 34, page 24).
2. When the remote/off switch is in the OFF position, the burner will operate from the rocker switch or wall switch connected to the two BROWN wires on the module.

GAS CONTROL MODULE SYSTEM

Continued

3. When the remote/off is in the REMOTE position the burner will operate from the Remote Control transmitter.

NOTE: The module must be programmed to the Remote Control transmitter.

- To program the module (make sure the system has power), locate the learn button (Figure 34) on the module. Press and release the learn button. There will be a beep sound from the module. Then press any button on the remote transmitter. Once the module's internal receiver accepts the transmitter code, there will be a series of confirming beeps.
- The remote system is ready for use.

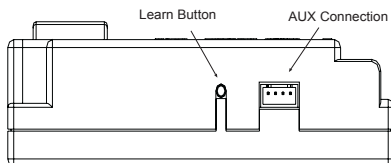


Figure 34 - Gas Module Left Side

BATTERY BACK-UP

This fireplace is equipped with a battery back-up. If the power was to go out on the fireplace, the battery back-up allows the fireplace to remain operational. Make sure to periodically check the condition of the four AA batteries used for the battery back-up.

INSPECTING BURNERS

Check pilot flame pattern and burner flame patterns often.

PILOT ASSEMBLY

The pilot assembly is factory preset for the proper flame. Alterations may have occurred during shipping and handling. The pilot is located on right hand side of burner.

The flame must envelope 1/4" of top of the ignitor/sensor and grounding stem.

If your pilot assembly does not meet these requirements:

- Turn the adjustment screw marked PILOT clockwise to decrease or counterclockwise to increase the flame to proper size (see Figure 35). Do not remove the adjustment screw.
- see [Troubleshooting](#), page 27

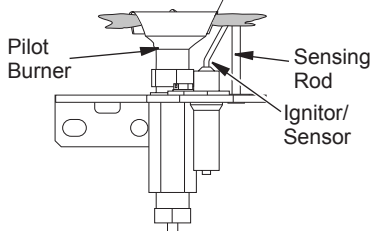


Figure 35 - Correct Pilot Flame Pattern

BURNER FLAME PATTERN

Burner flames will be steady, not lifting or floating. Flame patterns will be different from unit to unit and will vary depending on installation type and weather conditions.

If the vent configuration is installed incorrectly, flames will lift or "ghost". This can be dangerous. Inspect flames after installation to ensure proper installation and performance.

Figure 36 shows a typical flame pattern.

If burner flame pattern differs from that described:

- turn fireplace off (see [To Turn Off Gas to Appliance](#), page 23)
- see [Troubleshooting](#), page 27

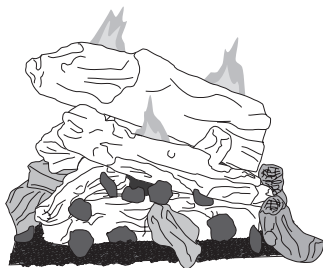


Figure 36 - Typical Flame Pattern

CLEANING AND MAINTENANCE

⚠ WARNING: Turn off fireplace and let cool before cleaning.

⚠ CAUTION: You must keep control areas, burners and circulating air passageways of fireplace clean. Inspect these areas of fireplace before each use. Have fireplace inspected yearly by a qualified service person. Fireplace may need more frequent cleaning due to excessive lint from carpeting, bedding material, pet hair, etc.

⚠ WARNING: Only parts supplied by the manufacturer should be used when replacing broken or damaged glass door panels (see *Replacement Parts*, page 26). Glass door panel are complete units. No substitute materials may be used.

⚠ CAUTION: Wear gloves and safety glasses while handling or removing broken glass. Do not remove if glass is hot. Keep children and pets away from glass.

GLASS DOORS

⚠ WARNING: Handle glass door panels with care. Do not strike, slam or otherwise abuse glass. Do not operate fireplace with the glass door unlatched, removed, cracked or broken.

⚠ WARNING: Do not use abrasive cleaners as this may damage glass. Use a nonabrasive household glass cleaner to clean glass. Do not clean glass when hot.

Glass must be cleaned periodically. During start-up it is normal for condensation to form on the inside of the glass causing lint, dust and other airborne particles to cling to the glass surface. During initial start-up a slight film may form on the glass due to paint curing. The glass should be cleaned several times with a non-ammonia, nonabrasive household cleaner and warm water after the first two weeks of operation. Thereafter, clean the glass two or three times during each heating season, depending on the usage and circumstances present. Refer to *Removing/Replacing Glass Doors*, page 18 of this manual when removing glass door for cleaning.

If glass has been broken, carefully remove glass door (see *Removing/Replacing Glass Doors*, page 18). Vacuum all glass pieces with a shop vac.

⚠ CAUTION: Do not vacuum if pieces are hot.

Use only glass door replacement intended for this fireplace (see *Replacement Parts*, page 26 for detail on ordering). No substitutions may be made. See *Removing/Replacing Glass Doors*, page 18 for instructions for replacing glass doors.

⚠ WARNING: Do not operate fireplace with glass door unlatched, removed, cracked or broken.

CLEANING AND MAINTENANCE

Continued

PILOT AND BURNERS

- Remove material before cleaning burners and replace when cleaning is complete.
- Burner and controls should be cleaned with compressed air to remove dust, dirt or lint.
- Use a vacuum cleaner or small, soft bristled brush to remove excess dust, dirt or lint.

LOGS

- Use a vacuum cleaner to remove any carbon buildup on logs.
- Replace material periodically as needed. See *Replacement Parts*, page 26.

VENTING SYSTEM

Conduct annual inspection of the venting system following these guidelines:

1. Check areas of venting system that are exposed to the weather for corrosion (rust spots or streaks and, in extreme cases, holes). Have these items replaced immediately by a qualified service person.
2. Remove the vent cap and shine a flashlight into the vent. Remove any foreign material.
3. Check for evidence of excessive condensation. Continuous condensation can cause corrosion of caps, pipes and fittings and can be caused by having excessive lateral runs, too many elbows or exterior portions of the system being exposed to cold weather.
4. Inspect joints to verify that no pipe section or fitting has been disturbed and loosened. Check mechanical supports such as wall straps for rigidity.

SPECIFICATIONS

**DVF-36NSR-C, DVF-36NHR-C,
DVF-36NSI-C, DVF-36NHI-C,
DVF-36NSR-CC, DVF-36NHR-CC,
DVF-36NSI-CC, DVF-36NHI-CC**

- Rating: 66,000 Btu/hr
- Gas Type: Natural Gas Only
- Ignition: Electronic
- Manifold Pressure: 3.5" w.c.
- Minimum Inlet Supply Pressure: 7" w.c.

**DVF-36PSR-C, DVF-36PHR-C,
DVF-36PSI-C, DVF-36PHI-C,
DVF-36PSR-CC, DVF-36PHR-CC,
DVF-36PSI-CC, DVF-36PHI-CC**

- Rating: 62,000 Btu/hr
- Gas Type: Propane/LP Gas Only
- Ignition: Electronic
- Manifold Pressure: 10" w.c.
- Minimum Inlet Supply Pressure: 11" w.c.

REPLACEMENT PARTS

Note: Use only original replacement parts. This will protect your warranty coverage for parts replaced under warranty.

Contact authorized dealers of this product. If they can't supply original replacement part(s), call FMI PRODUCTS, LLC at 1-866-328-4537.

When calling, have ready:

- your name
- your address
- model and serial numbers of your heater
- how heater was malfunctioning
- purchase date

Usually, we will ask you to return the part to the factory.

TECHNICAL SERVICE

You may have further questions about installation, operation, or troubleshooting. If so, contact FMI PRODUCTS, LLC at 1-866-328-4537. When calling please have your model and serial numbers of your heater ready.

You can also visit FMI PRODUCTS, LLC's web site at www.fmiproducts.com.

SERVICE HINTS

When Gas Pressure Is Too Low

- pilot will not stay lit
- burners will have delayed ignition
- fireplace will not produce specified heat
- propane/LP gas supply might be low (propane/LP units only)

You may feel your gas pressure is too low. If so, contact your local gas supplier.

TROUBLESHOOTING

⚠ WARNING: Turn off fireplace and let cool before servicing. Only a qualified service person should service and repair fireplace.

⚠ CAUTION: Never use a wire, needle or similar object to clean pilot. This can damage pilot unit.

Note: All troubleshooting items are listed in order of operation.

OBSERVED PROBLEM	POSSIBLE CAUSE	REMEDY
Pilot will not light	<ol style="list-style-type: none">1. No gas supply or shutoff valve is OFF2. Air in gas line3. Construction debris clogging pilot orifice4. Low gas pressure5. Kinked pilot line6. Control valve is not opening7. No power to unit or ignition module	<ol style="list-style-type: none">1. Check to see if you have gas supply and that equipment shutoff valve is opened2. Repeat lighting procedure several times to purge all air out of lines. If after repeated attempts appliance does not light, call for qualified service and repair3. Remove debris and dirt, inspect and clean any other possible obstructions4. Contact your gas supplier to check pressure5. Have a qualified technician replace pilot line6. Replace control valve (Refer to <u>Replacement Parts</u>, page 26)7. Check that main power is on and that all wire connections are made correctly to ignition model (see <u>Wiring Diagram</u>, page 23).

TROUBLESHOOTING

Continued

OBSERVED PROBLEM	POSSIBLE CAUSE	REMEDY
Pilot will not stay lit	<ol style="list-style-type: none">1. Loose wiring on ignitor wire to ignition module and/ or poor ground to ignition module2. Main burner does not come on when manual switch or remote control is turned on.	<ol style="list-style-type: none">1. Confirm the "S" wire and the "I" wire are properly connected to the module in the proper "S" and "I" terminals. Confirm that the spark to the pilot burner is properly grounded to the gas control valve and to the module. Check the 110 volt power source or the 6 volt battery back-up connections and condition of batteries. Check the position of the CONTINUOUS PILOT switch on the module.2. Confirm the pilot is sparking and lights. Check the two plastic connectors that plug in the face of the gas control valve. Confirm the gas control valve is properly grounded to the module.
No gas to burner, although safety shutoff switch and valve are set to the ON position	<ol style="list-style-type: none">1. Safety shutoff switch wires defective or too long	<ol style="list-style-type: none">1. Check electrical connections
Frequent pilot outage	<ol style="list-style-type: none">1. Pilot flame may be too low, causing safety pilot to "drop out"2. Improper venting or excessive blockage	<ol style="list-style-type: none">1. Clean and adjust pilot flame for maximum flame impingement on thermopile2. Have vent system inspected, including termination cap. Remove any restriction or obstruction
Fireplace produces a clicking/ ticking noise just after burner is lit or shut off	<ol style="list-style-type: none">1. Metal expanding while heating or contracting while cooling	<ol style="list-style-type: none">1. This is normal with most fireplaces. If noise is excessive, contact qualified service person
Slight smoke or odor during initial operation	<ol style="list-style-type: none">1. Residues from manufacturing processes and logs curing	<ol style="list-style-type: none">1. Problem will stop after a few hours of operation

TROUBLESHOOTING

Continued



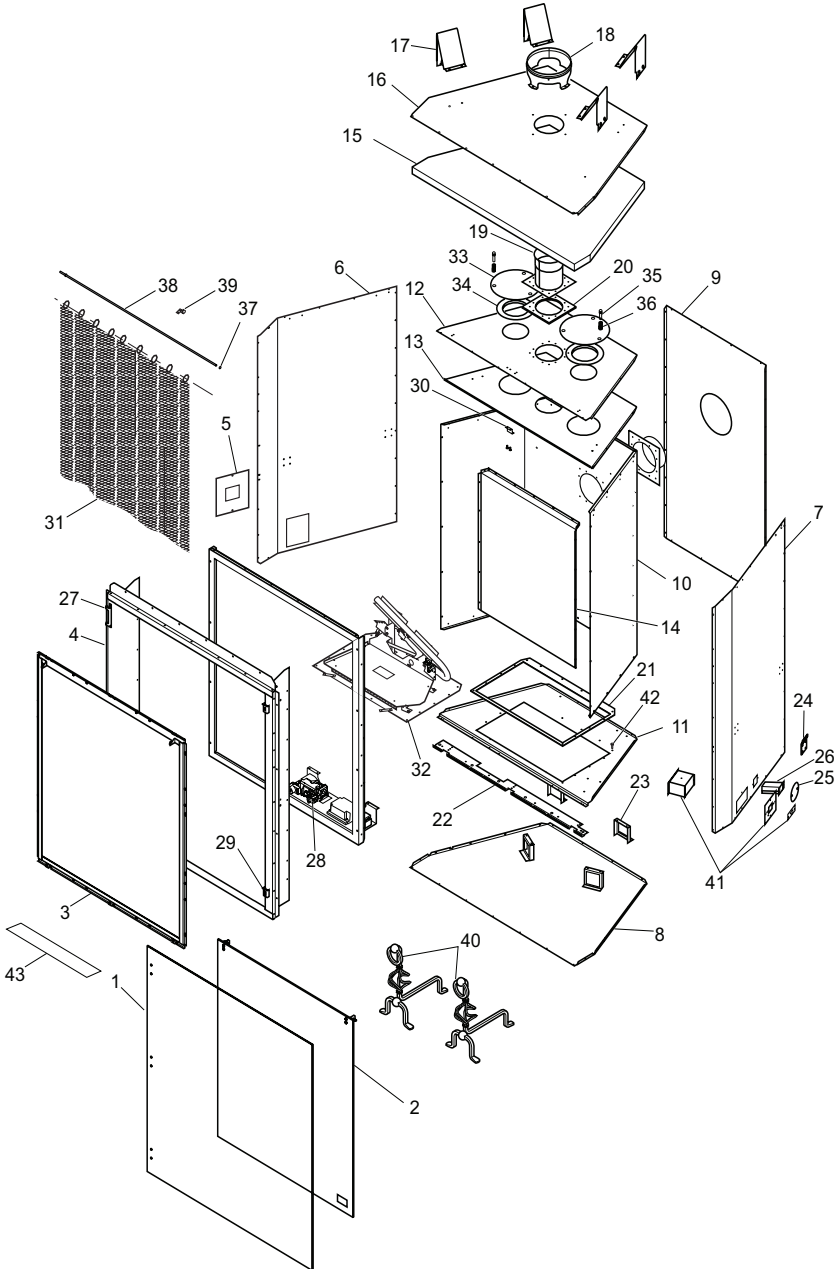
WARNING: If you smell gas

- Shut off gas supply.
- Do not try to light any appliance.
- Do not touch any electrical switch; do not use any phone in your building.
- Immediately call your gas supplier from a neighbor's phone. Follow the gas supplier's instructions.
- If you cannot reach your gas supplier, call the fire department.

OBSERVED PROBLEM	POSSIBLE CAUSE	REMEDY
Gas odor even when gas control valve is off	<ol style="list-style-type: none">1. Gas leak. See Warning statement at top of page2. Control valve defective	<ol style="list-style-type: none">1. Locate and correct all leaks (see <i>Checking Gas Connections</i>, page 17)2. Replace control valve
Gas odor during combustion	<ol style="list-style-type: none">1. Foreign matter between control valve and burner2. Gas leak. See Warning statement at top of page	<ol style="list-style-type: none">1. Take apart gas tubing and remove foreign matter2. Locate and correct all leaks (see <i>Checking Gas Connections</i>, page 17)
Glass soots	<ol style="list-style-type: none">1. Debris around burner air mixer2. Improper vent configuration	<ol style="list-style-type: none">1. Inspect opening at base of burner to see that it is NOT packed with any type of material2. Check vent configuration specification (see <i>Venting Installation</i>, page 9)
Dark residue on logs or inside of fireplace	<ol style="list-style-type: none">1. Air holes at burner inlet blocked2. Burner flame holes blocked3. Improper venting or excessive blockage4. Excessive amounts of embers and pan material	<ol style="list-style-type: none">1. Clean out air holes at burner inlets. Periodically repeat as needed2. Remove blockage3. Have vent system inspected, including termination cap. Remove any restrictions or obstruction4. Clear excess embers until a minimum gap of 1/2" remains under grate

PARTS

MODELS DVF-36NSR-C, DVF-36PSR-C, DVF-36NHR-C, DVF-36PHR-C,
DVF-36NSI-C, DVF-36PSI-C, DVF-36NHI-C, DVF-36PHI-C, DVF-36NSR-CC,
DVF-36PSR-CC, DVF-36NHR-CC, DVF-36PHR-CC, DVF-36NSI-CC,
DVF-36PSI-CC, DVF-36NHI-CC AND DVF-36PHI-CC



PARTS

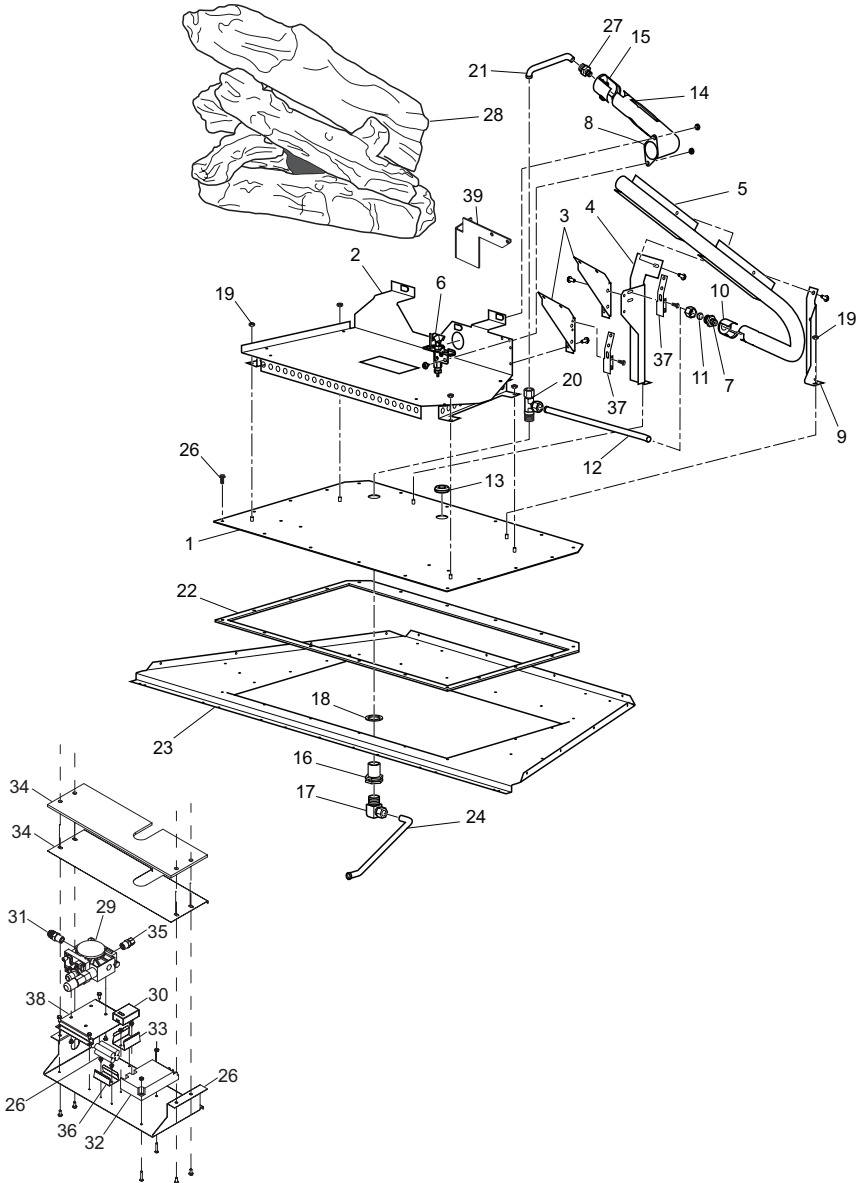
This list contains replaceable parts used in your fireplace. When ordering parts, follow the instructions listed under Replacement Parts on page 26 of this manual.

KEY NO.	PART NO.	DESCRIPTION									QTY.
			DVF-36NS(R/I)-C	DVF-36PS(R/I)-C	DVF-36NH(R/I)-C	DVF-36PH(R/I)-C	DVF-36NS(R/I)-CC	DVF-36PS(R/I)-CC	DVF-36NH(R/I)-CC	DVF-36PH(R/I)-CC	
1	120150-01	Outer Glass Assembly									1
2	120155-01	Middle Glass Assembly									1
3	118003-01	Glass Door Assembly	*	*	*	*	*	*	*	*	1
4	**	Face Weldment	*	*	*	*	*	*	*	*	1
5	121127-01	Access Cover Plate	*	*	*	*	*	*	*	*	1
6	**	Left Side Surround	*	*	*	*	*	*	*	*	1
7	**	Right Side Surround	*	*	*	*	*	*	*	*	1
8	**	Fireplace Bottom	*	*	*	*	*	*	*	*	1
9	**	Rear Fireplace Surround	*	*	*	*	*	*	*	*	1
10	**	Firebox Surround	*	*	*	*	*	*	*	*	1
11	**	Firebox Bottom	*	*	*	*	*	*	*	*	1
12	**	Firebox Top Assembly	*	*	*	*	*	*	*	*	1
13	120244-01	Air Plenum	*	*	*	*	*	*	*	*	1
14	117479-01	Air Exchange	*	*	*	*	*	*	*	*	1
15	**	Top Insulation	*	*	*	*	*	*	*	*	1
16	120261-01	Fireplace Top	*	*	*	*	*	*	*	*	1
17	23490SA	Fireplace Top Spacer	*	*	*	*	*	*	*	*	4
18	120243-01	8" Outer Pipe	*	*	*	*	*	*	*	*	1
19	111554-05	5" Inner Connector	*	*	*	*	*	*	*	*	1
20	106702-01	5" Gasket	*	*	*	*	*	*	*	*	1
21	120431-01	Burner Base Gasket	*	*	*	*	*	*	*	*	1
22	117997-01	Glass Door Retainer	*	*	*	*	*	*	*	*	1
23	120142-01	Firebox Leg	*	*	*	*	*	*	*	*	4
24	117891-01	Fireplace Handle	*	*	*	*	*	*	*	*	4
25	21171	Gas Conduit Cover	*	*	*	*	*	*	*	*	1
26	24460	Gas Conduit Assembly	*	*	*	*	*	*	*	*	1
27	120152-02	Frame Leaf Hinge	*	*	*	*	*	*	*	*	3
28	125112-01	Ignition Valve Assembly	*	*	*	*	*	*	*	*	1
	125112-02	Ignition Valve Assembly	*	*	*	*	*	*	*	*	1
29	120154-01	Door Latch Bracket					*	*	*	*	2
30	120687-01	Plenum Bracket	*	*	*	*	*	*	*	*	1
31	120461-01	Screen	*	*	*	*	*	*	*	*	2
32	**	Log Burner Assembly, (See page 32)	*	*	*	*	*	*	*	*	1
33	120895-01	Relief Plate	*	*	*	*	*	*	*	*	2
34	120902-02	Gasket	*	*	*	*	*	*	*	*	2
35	120899-01	Thumb Screw	*	*	*	*	*	*	*	*	6
36	120898-01	Spring									6
37	11418	Push Nut	*	*	*	*	*	*	*	*	2
38	120462-01	Screen Rod	*	*	*	*	*	*	*	*	1
39	121126-01	Screen Rod Bracket	*	*	*	*	*	*	*	*	1
40	121063-01	Aniron	*	*	*	*	*	*	*	*	2
41	110037-01	Electrical Duct Assembly	*	*	*	*	*	*	*	*	1
42	11192	Hex Spacer Screw	*	*	*	*	*	*	*	*	4
43	123785-01	Draft Shield	*	*	*	*	*	*	*	*	1

**Not a field replaceable part.

PARTS

MODELS DVF-36NSR-C, DVF-36PSR-C, DVF-36NHR-C, DVF-36PHR-C,
DVF-36NSI-C, DVF-36PSI-C, DVF-36NHI-C, DVF-36PHI-C, DVF-36NSR-CC,
DVF-36PSR-CC, DVF-36NHR-CC, DVF-36PHR-CC, DVF-36NSI-CC,
DVF-36PSI-CC, DVF-36NHI-CC AND DVF-36PHI-CC



PARTS

BURNER ASSEMBLY MODELS

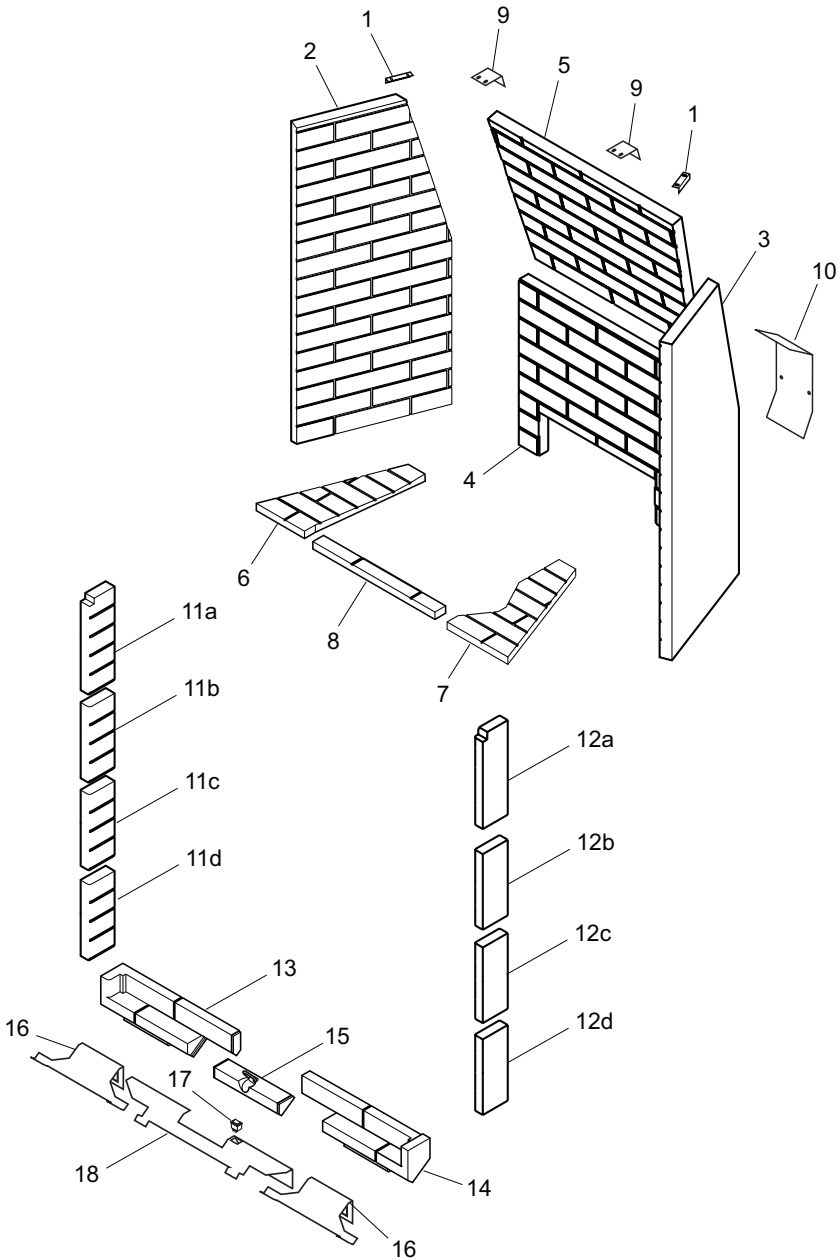
This list contains replaceable parts used in your fireplace. When ordering parts, follow the instructions listed under Replacement Parts on page 26 of this manual.

KEY NO.	PART NO.	DESCRIPTION	-01 (NG)	-02 (LP)	QTY.
1	**	Bottom Pan Weldment	•	•	1
2	120402-02	Burner Plate Weldment	•	•	1
3	120637-01	Log Bracket	•		2
4	120405-01	Right Bracket	•	•	1
5	120408-01	Burner Tube	•	•	1
6	122122-01	Pilot Assembly (Natural Gas)	•		1
	122122-02	Pilot Assembly (Propane/LP Gas)		•	1
7	114365-09	Brass Orifice #29, NG	•		1
	114365-01	Brass Orifice #50, LP		•	1
8	112370-01	Venturi Gasket	•	•	1
9	120406-01	Left Bracket	•	•	1
10	112829-01	Air Shutter	•	•	1
11	111824-01	Compression Nut/Sleeve 3/8"	•	•	2
12	111817-05	Flextube, 3/8" x 7"	•	•	1
13	114027-01	Grommet	•	•	1
14	112372-07	Venturi, 1 1/4" x 6.0" x 2.27"	•	•	1
15	116559-01	Air Shutter	•	•	1
16	11214	Bulkhead Fitting	•	•	1
17	14399	Brass Elbow	•	•	1
18	116573-01	Flat Washer	•	•	1
19	11209	Hex Nut	•		10-12
20	112823-01	Brass T-Fitting	•	•	1
21	111817-06	Flextube 3/8" x 11"	•	•	1
22	**	Burner Base Gasket	•	•	1
23	**	Firebox Bottom	•	•	1
24	111817-08	Flextube 3/8" x 18"	•	•	1
25	125068-01	Battery Backup	•	•	1
26	125061-01	Valve/Module Bracket	•	•	1
27	114365-24	Brass Orifice #32, NG	•		1
	114365-16	Brass Orifice #51, LP		•	1
28	126117-01	Log Assembly	•	•	1
29	125063-01	Valve, Motorized H/L Four Ported NG	•		1
	125063-02	Valve, Assembly w/set Screw #51 (LP)		•	1
30	125067-01	Power Module	•	•	1
31	14396	Connector, 3/8" Tube x 3/8" MPT	•	•	1
32	125064-01	Control Module	•	•	1
33	125072-01	Valve Bracket	•	•	1
34	125098-01	Plate, Heatshield	•	•	1
35	116786-01	Brass Fitting 1/2" Flare x 3/8" MPT	•	•	1
36	125073-01	Battery Backup Bracket	•	•	1
37	121458-01	Rear Log Bracket	•	•	2
38	125062-01	Valve Bracket	•	•	1
39	125109-01	Pilot Bracket	•	•	1
PARTS AVAILABLE NOT SHOWN					
	26839	Rockwool	•	•	1
	112799-01	Ember Flake Kit	•	•	1
	VTA-LS5-2	Log Scrap Kit	•	•	1
	125069-01	Remote Control	•	•	1
	14253	30" Flex Line	•	•	1
	125065-01	Wire Harness	•	•	1
	125066-01	AC Adapter (Power Cord)	•	•	1
	GA6060	Lava Rock	•	•	1

**Not a field replaceable part.

PARTS

MODELS DVF-36NSR-C, DVF-36PSR-C, DVF-36NHR-C, DVF-36PHR-C,
DVF-36NSI-C, DVF-36PSI-C, DVF-36NHI-C, DVF-36PHI-C, DVF-36NSR-CC,
DVF-36PSR-CC, DVF-36NHR-CC, DVF-36PHR-CC, DVF-36NSI-CC,
DVF-36PSI-CC, DVF-36NHI-CC AND DVF-36PHI-CC



PARTS

This list contains replaceable parts used in your fireplace. When ordering parts, follow the instructions listed under Replacement Parts on page 26 of this manual.

KEY NO.	PART NO.	DESCRIPTION	DVF-36NSR-C	DVF-36NSI-C	DVF-36NHR-C	DVF-36NHI-C	QTY.
			DVF-36PSR-C	DVF-36PSI-C	DVF-36PHR-C	DVF-36PHI-C	
1	102520-01	Refractory Retainer	•		•	•	2
2	125139-01	Left Refractory Stacked Ivory		•			1
	125139-02	Left Refractory Stacked Red	•				1
	125146-01	Left Refractory Herringbone Ivory				•	1
	125146-02	Left Refractory Herringbone Red			•		1
3	125138-01	Right Refractory Stacked Ivory		•			1
	125138-02	Right Refractory Stacked Red	•				1
	125145-01	Right Refractory Herringbone Ivory				•	1
	125145-02	Right Refractory Herringbone Red		•			1
4	125144-01	Rear Refractory Stacked Ivory		•			1
	125144-02	Rear Refractory Stacked Red	•				1
	125148-01	Rear Refractory Herringbone Ivory				•	1
	125148-02	Rear Refractory Herringbone Red			•		1
5	125143-01	Top Refractory Stacked Ivory		•			1
	125143-02	Top Refractory Stacked Red	•				1
	125147-01	Top Refractory Herringbone Ivory				•	1
	125147-02	Top Refractory Herringbone Red			•		1
6	125140-01	Hearth Refractory, Left Ivory		•		•	1
	125140-02	Hearth Refractory, Left Red	•		•		1
7	125141-01	Hearth Refractory, Right Ivory		•		•	1
	125141-02	Hearth Refractory, Right Red	•		•		1
8	125142-01	Hearth Refractory, Front Ivory		•		•	1
	125142-02	Hearth Refractory, Front Red	•		•		1
9	121128-01	Top Refractory Bracket	•	•	•	•	2
10	121182-01	Rear Refractory Bracket	•	•	•	•	1
11a	125152-01	Left Side Brick 4-L Ivory		•		•	1
	125152-02	Left Side Brick 4-L Red	•				1
11b	125151-01	Left Side Brick 3-L Ivory		•		•	1
	125151-02	Left Side Brick 3-L Red	•		•		1
11c	125150-01	Left Side Brick 2-L Ivory		•		•	1
	125150-02	Left Side Brick 2-L Red	•		•		1
11d	125149-01	Left Side Brick 1-L Ivory		•		•	1
	125149-02	Left Side Brick 1-L Red	•		•		1
12a	125156-01	Right Side Brick 4-R Ivory		•		•	1
	125156-02	Right Side Brick 4-R Red	•		•		1
12b	125155-01	Right Side Brick 3-R Ivory		•		•	1
	125155-02	Right Side Brick 3-R Red	•		•		1
12c	125154-01	Right Side Brick 2-R Ivory		•		•	1
	125154-02	Right Side Brick 2-R Red	•		•		1
12d	125153-01	Right Side Brick 1-R Ivory		•		•	1
	125153-02	Right Side Brick 1-R Red	•		•		1
13	125135-01	Bottom Left Refractory Ivory		•		•	1
	125135-02	Bottom Left Refractory Red	•		•		1
14	125137-01	Bottom Right Refractory Ivory		•		•	1
	125137-02	Bottom Right Refractory Red	•		•		1
15	125110-01	Bottom Center Refractory Ivory		•		•	1
	125110-02	Bottom Center Refractory Red	•		•		1
16	120143-01	Bottom Refractory Bracket	•	•	•	•	2
17	14607	Safety Shutoff Switch	•	•	•	•	1
18	121458-01	Switch Bracket	•	•	•	•	1

WARRANTY

KEEP THIS WARRANTY

Model (located on product or identification tag) _____

Serial No. (located on product or identification tag) _____

Date Purchased _____

Keep receipt for warranty verification.

FMI PRODUCTS, LLC LIMITED WARRANTIES

New Products

Standard Warranty: FMI PRODUCTS, LLC warrants this new product and any parts thereof to be free from defects in material and workmanship for a period of four (4) years from the date of first purchase from an authorized dealer provided the product has been installed, maintained and operated in accordance with FMI PRODUCTS, LLC's warnings and instructions.

For products purchased for commercial, industrial or rental usage, this warranty is limited to 90 days from the date of first purchase.

Factory Reconditioned Products

Limited Warranty: FMI PRODUCTS, LLC warrants factory reconditioned products and any parts thereof to be free from defects in material and workmanship for 30 days from the date of first purchase from an authorized dealer provided the product has been installed, maintained and operated in accordance with FMI PRODUCTS, LLC's warnings and instructions.

Terms Common to All Warranties

The following terms apply to all of the above warranties:

Always specify model number and serial number when contacting the manufacturer. To make a claim under this warranty the bill of sale or other proof of purchase must be presented.

This warranty is extended only to the original retail purchaser when purchased from an authorized dealer, and only when installed by a qualified installer in accordance with all local codes and instructions furnished with this product.

This warranty covers the cost of part(s) required to restore this product to proper operating condition and an allowance for labor when provided by a FMI PRODUCTS, LLC Authorized Service Center or a provider approved by FMI PRODUCTS, LLC. Warranty parts must be obtained through authorized dealers of this product and/or FMI PRODUCTS, LLC who will provide original factory replacement parts. Failure to use original factory replacement parts voids this warranty.

Travel, handling, transportation, diagnostic, material, labor and incidental costs associated with warranty repairs, unless expressly covered by this warranty, are not reimbursable under this warranty and are the responsibility of the owner.

Excluded from this warranty are products or parts that fail or become damaged due to misuse, accidents, improper installation, lack of proper maintenance, tampering, or alteration(s).

This is FMI PRODUCTS, LLC's exclusive warranty, and to the full extent allowed by law; this express warranty excludes any and all other warranties, express or implied, written or verbal and limits the duration of any and all implied warranties, including warranties of merchantability and fitness for a particular purpose to four (4) years on new products and 30 days on factory reconditioned products from the date of first purchase. FMI PRODUCTS, LLC makes no other warranties regarding this product.

FMI PRODUCTS, LLC's liability is limited to the purchase price of the product, and FMI PRODUCTS, LLC shall not be liable for any other damages whatsoever under any circumstances including indirect, incidental, or consequential damages.

Some states do not allow limitations on how long an implied warranty lasts or the exclusion or limitation of incidental or consequential damages, so the above limitation or exclusion may not apply to you.

This warranty gives you specific legal rights, and you may also have other rights which vary from state to state.

For information about this warranty contact:


FMI PRODUCTS, LLC
2701 S. Harbor Blvd.
Santa Ana, CA 92704
1-866-328-4537
www.fmiproducts.com

125077-01
Rev. C
01/12