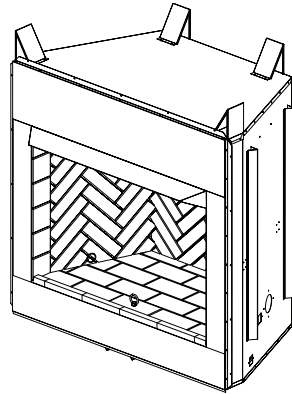




**UNVENTED (VENT-FREE)
UNIVERSAL FIREBOX
OWNER'S OPERATION AND
INSTALLATION MANUAL**



**INDOOR VENT FREE (V)UM(36,42,50)(H,S)(I,R)A SERIES
INDOOR/OUTDOOR VENT FREE (V)QM(36,42,50)(H,S)(I,R)A SERIES
MASONRY FIREBOX WITH INSULATION**

⚠ WARNING: If the information in this manual is not followed exactly, a fire or explosion may result causing property damage, personal injury or loss of life.

- Do not store or use gasoline or other flammable vapors and liquids in the vicinity of this or any other appliance.
- **WHAT TO DO IF YOU SMELL GAS**
 - Do not try to light any appliance.
 - Do not touch any electrical switch; do not use any phone in your building.
 - Immediately call your gas supplier from a neighbor's phone. Follow the gas supplier's instructions.
 - If you cannot reach your gas supplier, call the fire department.
- Installation and service must be performed by a qualified installer, service agency or the gas supplier.

INSTALLER: Leave this manual with the appliance.
CONSUMER: Retain this manual for future reference.

⚠ WARNING: Improper installation, adjustment, alteration, service or maintenance can cause injury or property damage. Refer to this manual for correct installation and operational procedures. For assistance or additional information consult a qualified installer, service agency or the gas supplier.

⚠ WARNING: Carefully review the instructions supplied with the decorative type unvented room heater for the minimum fireplace size requirement.

DO NOT INSTALL THE APPLIANCE IN THIS FIREBOX, UNLESS THIS FIREBOX MEETS THE MINIMUM DIMENSIONS REQUIRED FOR THE INSTALLATION.

⚠ WARNING: FOR USE ONLY WITH A LISTED, GAS-FIRED UNVENTED DECORATIVE ROOM HEATER NOT TO EXCEED 40,000 BTU/H.

DO NOT BUILD A WOOD FIRE.

TABLE OF CONTENTS

Safety	2	Installation	10
Local Codes.....	4	Firebrick Wall Installation.....	14
Product Features.....	4	Gas Line Installation.....	16
Locating Firebox.....	4	Technical Service.....	17
Product Specifications.....	5	Replacement Parts.....	17
Air For Combustion and Ventilation.....	8	Parts	18
		Warranty.....	Back Cover

SAFETY

This appliance may be installed in an aftermarket,* permanently located, manufactured (mobile) home, where not prohibited by local codes.

* Aftermarket: Completion of sale, not for purpose of resale, from the manufacturer

This firebox has been tested under Z21.91b-2004 for use with approved ANSI Z21.11.2 decorative type unvented room heater.

IMPORTANT: Read this owner's manual carefully and completely before trying to assemble, operate or service this fireplace. Improper use of this fireplace can cause serious injury or death from burns, fire, explosion, electrical shock and carbon monoxide poisoning.

⚠ DANGER: Carbon monoxide poisoning may lead to death!

SAFETY

Continued

⚠ WARNING: Any change to this firebox or its controls can be dangerous.

⚠ WARNING: Do not allow fans to blow directly into the firebox. Avoid any drafts that alter burner flame patterns. Ceiling fans can create drafts that alter burner flame patterns. Altered burner patterns can cause sooting.

⚠ WARNING: Do not use a blower insert, heat exchanger insert or other accessory not approved for use with this firebox.

Due to high temperatures, the appliance should be located out of traffic and away from furniture and draperies.

Do not place clothing or other flammable material on or near the appliance. Never place any objects in the firebox or on logs.

Firebox front and screen becomes very hot when running firebox. Keep children and adults away from hot surfaces to avoid burns or clothing ignition. Firebox will remain hot for a time after shutdown. Allow surfaces to cool before touching.

Carefully supervise young children when they are in the room with firebox.

Keep the fireplace area clear and free from combustible materials, gasoline, and other flammable vapors and liquids.

You must operate this fireplace with the provided fireplace screen and hood in place. Make sure these parts are in place and screens are closed before running installed gas log heater. Replace hood with FMI PRODUCTS, LLC model 109511-01 50", 109511-02 42", or 109511-03 36" only. This hood has been designed to keep the operation of your fireplace safe and efficient.

1. Do not use this firebox as a wood burning fireplace. Use only decorative unvented room heaters (log sets).
2. Do not add extra logs or ornaments such as pine cones, vermiculite or rock wool. Using these added items can cause sooting.
3. Use only the provided hood. See Parts, page 30.
4. Vent-free gas log heaters installed in these fireboxes require fresh air ventilation to run properly. See Air for Combustion and Ventilation, page 8.
5. Do not run vent-free heaters installed in these fireboxes
 - where flammable liquids or vapors are used or stored
 - under dusty conditions
6. Do not use this firebox to cook food or burn paper or other objects.
7. Turn unit off and let cool before servicing. Only a qualified service person should service and repair firebox.
8. Operating vent-free heaters installed in these fireboxes above elevations of 4,500 feet could cause pilot outage.
9. Do not use the firebox if it has been under water.
10. Before using furniture polish, wax, carpet cleaner or similar products, turn heater off. If heated, the vapors from these products may create a white powder residue within burner box or on adjacent walls and furniture.
11. Provide adequate clearances around air openings.

LOCAL CODES

Install and use firebox with care. Follow all local codes. In the absence of local codes, use the latest edition of *The National Fuel Gas Code ANSI Z223.1/NFPA 54**. Firebox must be electrically grounded in accordance with the *National Electrical Code, ANSI/NFPA70* (latest edition).

*Available from:

American National Standards Institute, Inc.
1430 Broadway
New York, NY 10018

National Fire Protection Association, Inc.
Batterymarch Park
Quincy, MA 02269

State of Massachusetts: The installation must be made by a licensed plumber or gas fitter in the Commonwealth of Massachusetts.

Sellers of unvented propane or natural gas-fired supplemental room heaters shall provide to each purchaser a copy of 527 CMR 30 upon sale of the unit.

Vent-free gas products are prohibited for bedroom and bathroom installation in the Commonwealth of Massachusetts.

PRODUCT FEATURES

OPERATION

This firebox is designed for use with approved ANSI Z21.11.2 decorative type unvented room heaters. (Physical size limitations apply. Refer to minimum firebox requirements supplied with log heater.) It requires no outside venting or chimney making installation easy and inexpensive.

LOCATING FIREBOX

PLANNING

Plan where you will install the firebox. This will save time and money later when you install the firebox. Before installation, consider the following:

1. Where firebox will be located. Allow for wall and ceiling clearances (see *Installation Clearances*, page 11).
2. Everything needed to complete installation.
3. These models CANNOT be installed in a bedroom unless maximum Btu rating of installed vent-free log set is less than 10,000 Btu/hr.
4. Proper air for combustion and ventilation (page 8).

PRODUCT SPECIFICATIONS

36" MODELS

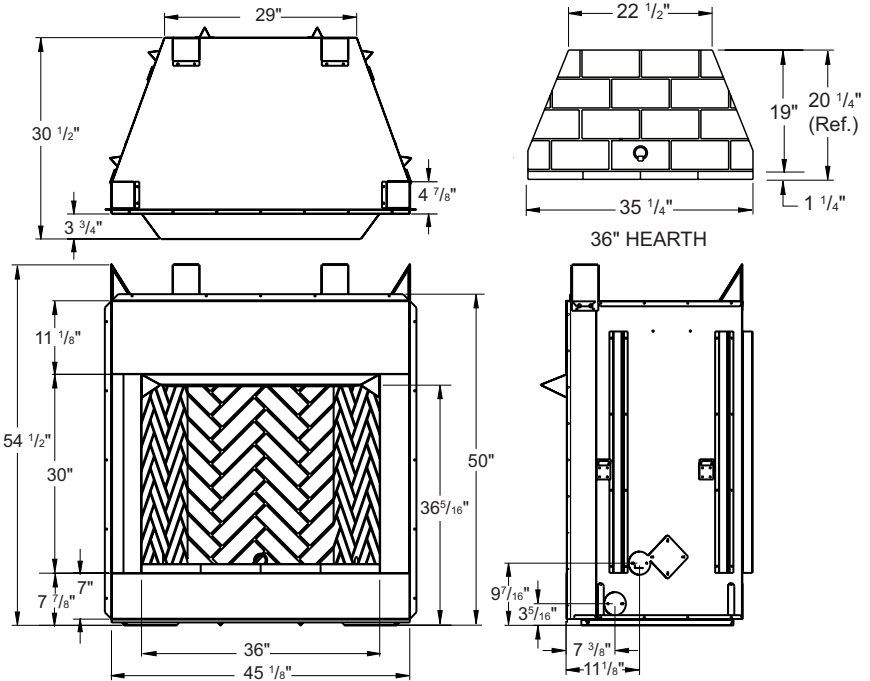
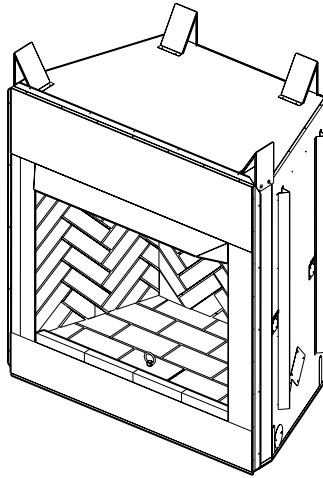


Figure 1 - 36" Models (V)UM36(H,S)(I,R)A and (V)QM36 (H,S)(I,R)A Series

PRODUCT SPECIFICATIONS

Continued

42" MODELS

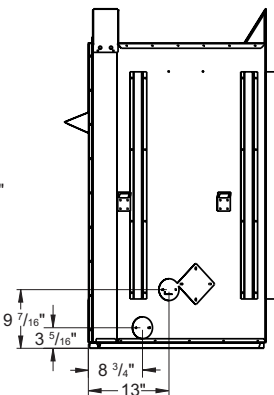
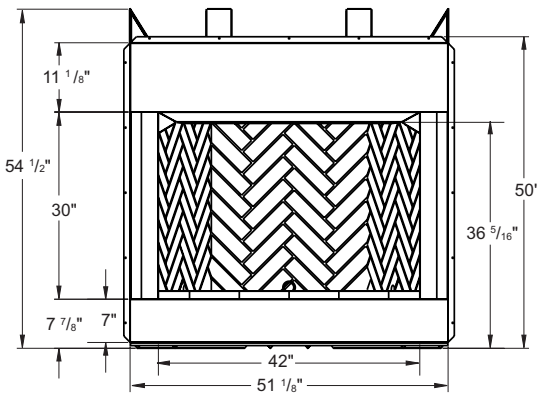
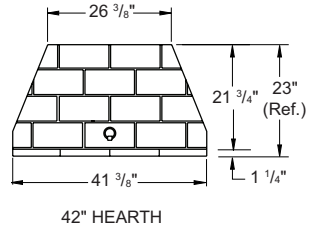
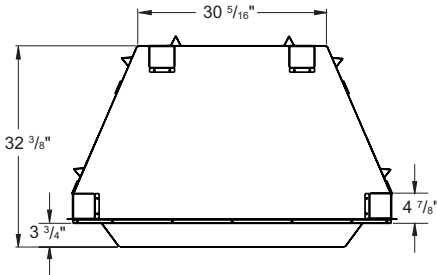
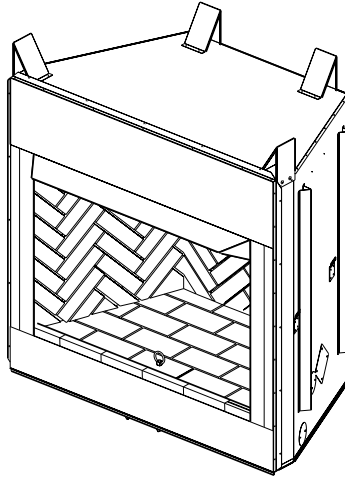


Figure 2 - 42" Models (V)UM42 (H,S)(I,R)A and (V)QM42 (H,S)(I,R)A Series

PRODUCT SPECIFICATIONS

Continued

50" MODELS

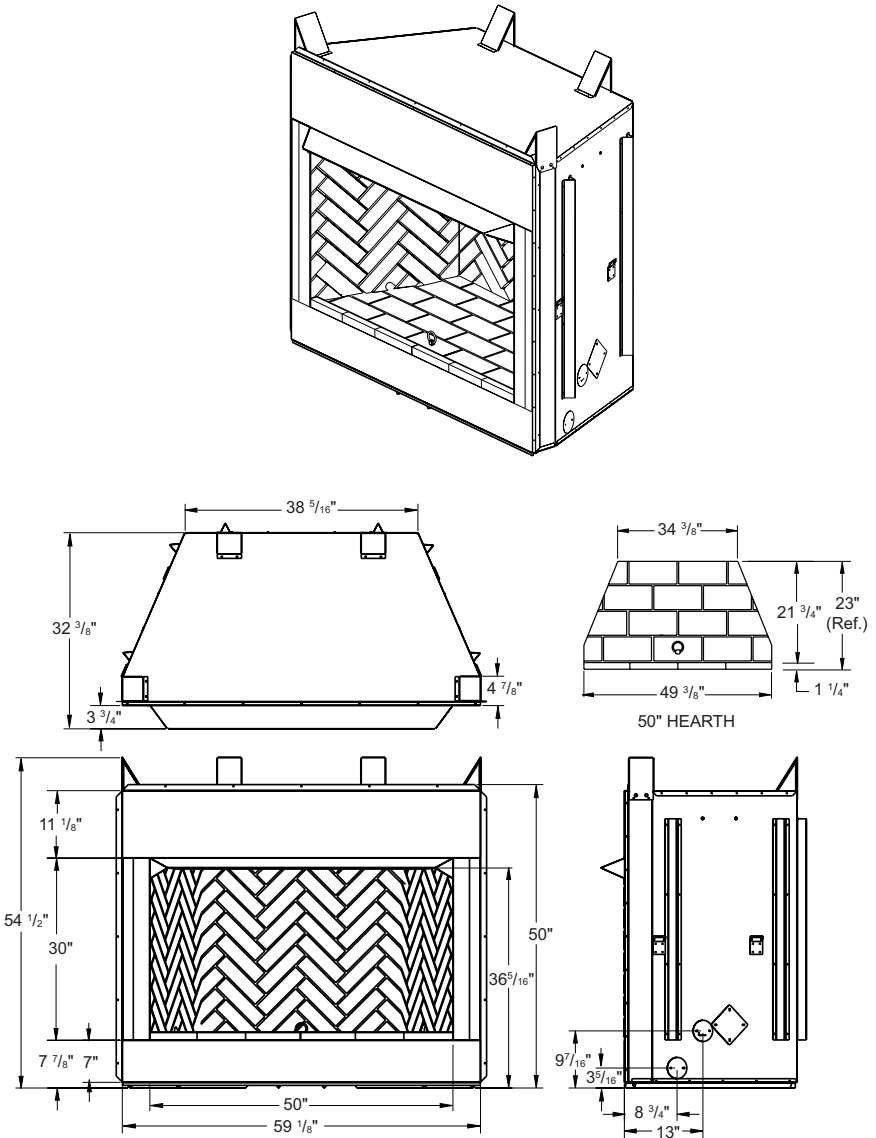


Figure 3 - 50" Models (V)UM50 (H,S)(I,R)A AND (V)QM50 (H,S)(I,R)A Series

AIR FOR COMBUSTION AND VENTILATION

⚠ WARNING: This heater shall not be installed in a room or space unless the required volume of indoor combustion air is provided by the method described in the *National Fuel Gas Code, ANSI Z223.1/NFPA 54*, the *International Fuel Gas Code*, or applicable local codes. Read the following instructions to insure proper fresh air for this and other fuel-burning appliances in your home.

Today's homes are built more energy efficient than ever. New materials, increased insulation and new construction methods help reduce heat loss in homes. Home owners weather strip and caulk around windows and doors to keep the cold air out and the warm air in. During heating months, home owners want their homes as airtight as possible.

While it is good to make your home energy efficient, your home needs to breathe. Fresh air must enter your home. All fuel-burning appliances need fresh air for proper combustion and ventilation.

Exhaust fans, fireplaces, clothes dryers and fuel burning appliances draw air from the house to operate. You must provide adequate fresh air for these appliances. This will insure proper venting of vented fuel-burning appliances.

PROVIDING ADEQUATE VENTILATION

The following are excerpts from *National Fuel Gas Code, ANSI Z223.1/NFPA 54, Air for Combustion and Ventilation*.

All spaces in homes fall into one of the three following ventilation classifications:

1. Unusually Tight Construction
2. Unconfined Space
3. Confined Space

The information on pages 8 through 10 will help you classify your space and provide adequate ventilation.

Unusually Tight Construction

The air that leaks around doors and windows may provide enough fresh air for combustion and ventilation. However, in buildings of unusually tight construction, you must provide additional fresh air.

Unusually tight construction is defined as construction where:

- a. walls and ceilings exposed to the outside atmosphere have a continuous water vapor retarder with a rating of one perm (6×10^{-11} kg per pa-sec- m^2) or less with openings gasketed or sealed and
- b. weather stripping has been added on openable windows and doors and
- c. caulking or sealants are applied to areas such as joints around window and door frames, between sole plates and floors, between wall-ceiling joints, between wall panels, at penetrations for plumbing, electrical and gas lines and at other openings.

If your home meets all of the three criteria above, you must provide additional fresh air. See [Ventilation Air From Outdoors](#), page 10.

If your home does not meet all of the three criteria above, proceed to [Determining Fresh-Air Flow For Firebox Location](#).

Confined and Unconfined Space

The *National Fuel Gas Code, ANSI Z223.1/NFPA 54* defines a confined space as a space whose volume is less than 50 cubic feet per 1,000 Btu per hour (4.8 m^3 per kw) of the aggregate input rating of all appliances installed in that space and an unconfined space as a space whose volume is not less than 50 cubic feet per 1,000 Btu per hour (4.8 m^3 per kw) of the aggregate input rating of all appliances installed in that space. Rooms communicating directly with the space in which the appliances are installed*, through openings not furnished with doors, are considered a part of the unconfined space.

* Adjoining rooms are communicating only if there are doorless passageways or ventilation grills between them.

DETERMINING FRESH-AIR FLOW FOR FIREBOX LOCATION

Determining if You Have a Confined or Unconfined Space

Use this work sheet to determine if you have a confined or unconfined space.

Space: Includes the room in which you will install heater plus any adjoining rooms with doorless passageways or ventilation grills between the rooms.

AIR FOR COMBUSTION AND VENTILATION

Continued

- Determine the volume of the space (length x width x height).
 $\text{Length} \times \text{Width} \times \text{Height} = \underline{\hspace{2cm}}$ cu. ft.
 (volume of space)

Example: Space size 22 ft. (length) x 18 ft. (width) x 8 ft. (ceiling height) = 3,168 cu. ft. (volume of space)

If additional ventilation to adjoining room is supplied with grills or openings, add the volume of these rooms to the total volume of the space.

- Multiply the space volume by 20 to determine the maximum Btu/Hr the space can support.
 $\underline{\hspace{2cm}}$ (volume of space) x 20 = (Maximum Btu/Hr the space can support)

Example: 3,168 cu. ft. (volume of space) x 20 = 63,360 (maximum Btu/Hr space can support)

- Add the Btu/Hr of all fuel burning appliances in the space.

Vent-free fireplace	<u> </u>	Btu/Hr
Gas water heater*	<u> </u>	Btu/Hr
Gas furnace	<u> </u>	Btu/Hr
Vented gas heater	<u> </u>	Btu/Hr
Gas fireplace logs	<u> </u>	Btu/Hr
Other gas appliances* +	<u> </u>	Btu/Hr
Total	= <u> </u>	Btu/Hr

* Do not include direct-vent gas appliances. Direct-vent draws combustion air from the outdoors and vents to the outdoors.

Example:

Gas water heater	<u> 40,000 </u>	Btu/Hr
Vent-free fireplace	+ <u> 39,000 </u>	Btu/Hr
Total	= <u> 79,000 </u>	Btu/Hr

- Compare the maximum Btu/Hr the space can support with the actual amount of Btu/Hr used.

 Btu/Hr (maximum the space can support)

 Btu/Hr (actual amount of Btu/Hr used)

Example: 63,360 Btu/Hr (maximum the space can support)

79,000 Btu/Hr (actual amount of Btu/Hr used)

The space in the example is a confined space because the actual Btu/Hr used is more than the maximum Btu/Hr the space can support. You must provide additional fresh air. Your options are as follows:

- Rework worksheet, adding the space of an adjoining room. If the extra space provides an unconfined space, remove door to adjoining room or add ventilation grills between rooms. See Ventilation Air From Inside Building.
- Vent room directly to the outdoors. See Ventilation Air From Outdoors, page 10.
- Install a lower Btu/Hr fireplace, if lower Btu/Hr size makes room unconfined.

If the actual Btu/Hr used is less than the maximum Btu/Hr the space can support, the space is an unconfined space. You will need no additional fresh air ventilation.

⚠ WARNING: If the area in which the heater may be operated does not meet the required volume for indoor combustion air, combustion and ventilation air shall be provided by one of the methods described in the *National Fuel Gas Code, ANSI Z223.1/NFPA 54, the International Fuel Gas Code, or applicable local codes.*

VENTILATION AIR

Ventilation Air From Inside Building

This fresh air would come from an adjoining unconfined space. When ventilating to an adjoining unconfined space, you must provide two permanent openings: one within 12" of the ceiling and one within 12" of the floor on the wall connecting the two spaces (see options 1 and 2, Figure 4). You can also remove door into adjoining room (see option 3, Figure 4). Follow the *National Fuel Gas Code, ANSI Z223.1/NFPA 54, Air for Combustion and Ventilation* for required size of ventilation grills or ducts.

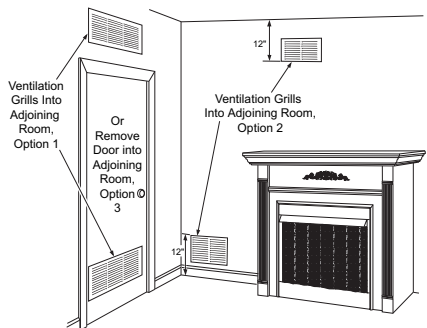


Figure 4 - Ventilation Air from Inside Building

AIR FOR COMBUSTION AND VENTILATION

Continued

Ventilation Air From Outdoors

Provide extra fresh air by using ventilation grills or ducts. You must provide two permanent openings: one within 12" of the ceiling and one within 12" of the floor. Connect these items directly to the outdoors or spaces open to the outdoors. These spaces include attics and crawl spaces. Follow the *National Fuel Gas Code, ANSI Z223.1/NFPA 54, Air for Combustion and Ventilation* for required size of ventilation grills or ducts.

IMPORTANT: Do not provide openings for inlet or outlet air into attic if attic has a thermostat-controlled power vent. Heated air entering the attic will activate the power vent.

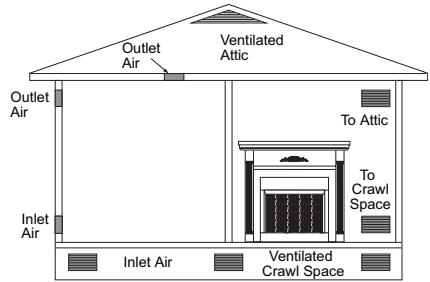


Figure 5 - Ventilation Air from Outdoors

INSTALLATION

WARNING: A qualified service person must install firebox. Follow all local codes.

WARNING: Never install firebox

- in a bedroom or bathroom*
- in a recreational vehicle
- where curtains, furniture, clothing, or other flammable objects are less than 36" from front or 42" from top of firebox; for side clearances see Figure 4, page 11

- in high traffic areas
 - in windy or drafty areas
- * Unless installed log set is rated at 10,000 Btu/Hr or less.

CAUTION: Log heaters installed in this firebox create warm air currents. These currents move heat to wall surfaces next to firebox. Installing firebox next to vinyl or cloth coverings or operating firebox where impurities (such as, but not limited to, tobacco smoke, aromatic candles, cleaning fluids, oil or kerosene lamps, etc.) in the air exist, may discolor walls or cause odors.

NOTICE: The firebox identification label (including model number, serial number, clearances, etc.) is located on a chain under the bottom refractory.

IMPORTANT: Vent-free gas log heaters add moisture to the air. Although this is beneficial, installing firebox in rooms without enough ventilation air may cause mildew to form from too much moisture. See, page 8.

IMPORTANT: Make sure the firebox is level. If firebox is not level, log set will not work properly.

Note: Your firebox is designed to be used in zero clearance installations. Wall or framing material can be placed against any exterior surface on the rear, sides, top or bottom of your firebox, except where standoff spacers are integrally attached. If standoff spacers are attached to your firebox, these spacers can be placed directly against wall or framing materials. Use the dimensions shown for rough opening to create the easiest installation.

Use dimensions shown for rough openings to create the easiest installation (see [Built-In Firebox Installation](#), page 12).

INSTALLATION

Continued

INSTALLATION CLEARANCES

⚠ WARNING: Maintain the minimum clearances. If you can, provide greater clearances from floor, ceiling, and adjoining wall.

Carefully follow the instructions below. This will ensure safe installation.

Minimum Wall and Ceiling Clearances (see Figure 6)

A. Clearances from the side of the fireplace cabinet to any combustible material and wall should follow diagram in Figure 6.

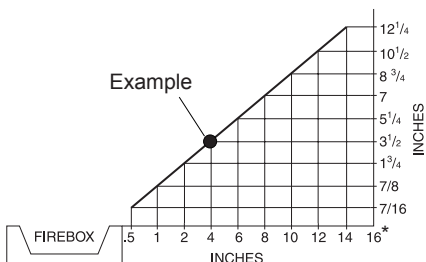
Example: The face of a mantel, bookshelf, etc. is made of combustible material and protrudes 3 1/2" from the wall. This combustible material must be 4" from the side of the fireplace cabinet (see Figure 4).

B. Clearances from the top of the firebox opening to the ceiling should not be less than 42".

C. When the firebox is installed directly on carpeting, tile or other combustible material, other than wood flooring, the firebox should be installed on a metal or wood panel extending the full width and depth of the enclosure.

D. Clearances from the bottom of firebox to the floor is 0".

These fireboxes can be installed as free-standing units against a wall with approved cabinet mantels that may be available from your retailer or supplier, or as a built-in unit. The clearances are the same for either installation method.



*Minimum 16" from Side Wall

Figure 6 - Minimum Clearance for Combustible to Wall

Mantel Clearances for Built-In Installation

If placing custom mantel above built-in firebox, you must meet the minimum allowable clearance between mantel shelf and top of firebox opening shown in Figure 7. These are the minimum allowable mantel clearances for a safe installation. Use larger clearances wherever possible to minimize the heating of objects and materials placed on the mantel.

⚠ CAUTION: Do not allow the vent-free gas log heater to touch or extend beyond the fireplace screen.

NOTICE: Surface temperatures of adjacent walls and mantels become hot during operation. Walls and mantels above the firebox may become hot to the touch. If installed properly, these temperatures meet the requirement of the national product standard. Follow all minimum clearances shown in this manual.

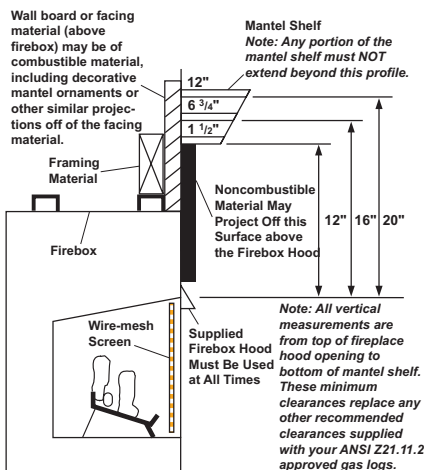


Figure 7 - Minimum Mantel Clearances for Built-In Installation

INSTALLATION

Continued

NOTICE: If your installation does not meet the minimum clearances shown, you must do one of the following:

- raise the mantel to an acceptable height
- remove the mantel

BUILT-IN FIREBOX INSTALLATION

Built-in installation of this firebox involves installing firebox into a framed-in enclosure. This makes the front of firebox flush with wall. If installing a mantel above the firebox, you must follow the clearances shown in Figure 7, page 11. Follow these instructions to install the firebox in this manner.

1. Frame in rough opening. The firebox framing should be constructed of 2 x 4 lumber or heavier. Use dimensions and rough opening layout in Figure 8. Adjust framing so that firebox flushes with finished wall surface. If installing in a corner, use dimensions in Figure 9, for rough opening.
2. Install gas piping to firebox location. See *Installing Gas Line* on page 14 and *Connecting to Gas Supply* in log set owner's manual.

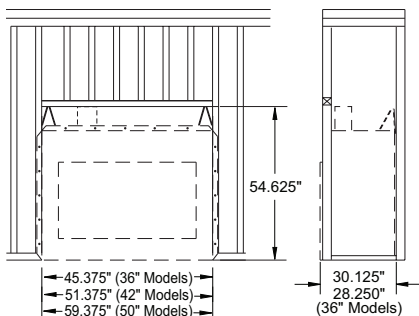


Figure 8 - Framing Dimensions

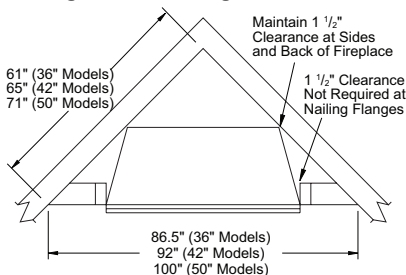


Figure 9 - Corner Installation

3. Carefully set firebox in front of rough opening with back of firebox inside wall opening.
4. Carefully insert firebox into rough opening.
5. Attach firebox to wall studs using nails or wood screws through holes in nailing flange (see Figure 10).
6. Install and properly test gas log heater. Follow installation instructions included with the vent-free gas log heater that is being installed.

IMPORTANT: When finishing your firebox, combustible materials such as wall board, gypsum board, sheet rock, drywall, plywood, etc. may be butted up next to the sides and top of the firebox. Combustible materials should never overlap the firebox front facing.

WARNING: Do not allow any combustible materials to overlap the firebox front facing.

IMPORTANT: Noncombustible materials such as brick, tile, etc. may overlap the front facing, but should never cover any necessary openings.

WARNING: Do not allow non-combustible materials to cover any necessary openings.

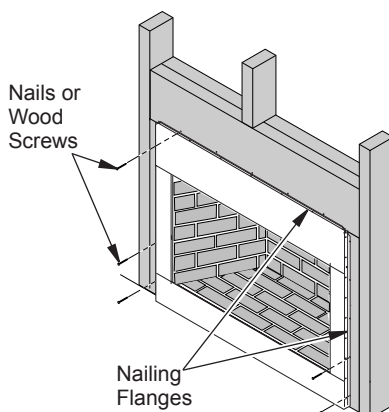


Figure 10 - Attaching Firebox to Wall Studs

INSTALLATION

Continued

⚠ WARNING: Use only non-combustible mortar or adhesives when overlapping the front facing with noncombustible facing material.

INSTALLING FIREBOX USING OPTIONAL CUSTOM BUILT MANTELS

⚠ WARNING: A qualified service person must install firebox. Follow all local codes.

This firebox may be installed using a cabinet mantel against a wall in your home. The firebox and cabinet mantel can be installed directly on the floor. Mantels may be available from your retailer or custom built for your home.

1. Assemble cabinet mantel as instructed.
2. Install gas piping to firebox location. See *Installing Gas Line, page 14*. You may have to cut an access hole in the floor or wall to run gas line to firebox. Make sure to locate access hole so cabinet mantel will cover it when installed (see Figure 11).
3. Place firebox on floor in desired location. Make sure mantel will be flush against wall when installed.
4. Carefully slide cabinet mantel over firebox. Be careful not to scratch firebox, cabinet mantel, flooring, etc., when installing (see Figure 12).
5. Install and properly test gas log heater. Follow installation instructions included with the vent-free gas log heater that is being installed.

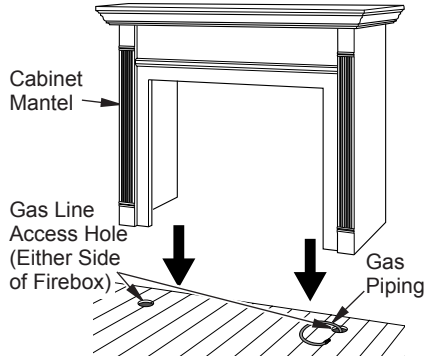


Figure 11 - Installing Cabinet Mantel (Mantel May Vary From Illustration)

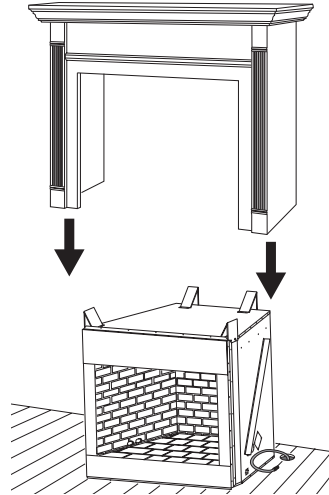


Figure 12 - Inserting Firebox Into Cabinet Mantel (Mantel May Vary From Illustration)

FIREBRICK WALL INSTALLATION

IMPORTANT: Installation of brick should be done after the fireplace is placed in a permanent location.

1. The fireplace is shipped with the hearth preinstalled. It is held in place for shipping with 3 shipping brackets (Figure 13). Remove these brackets before installing any of the other firebrick walls.

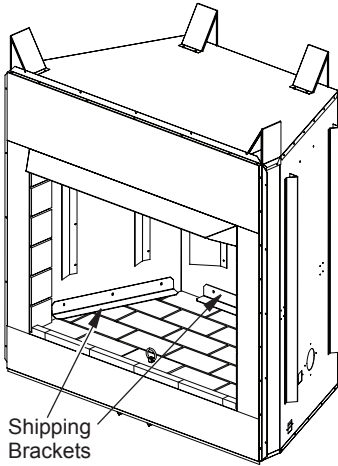


Figure 13 - Removing Shipping Brackets

2. Install the left and right firebrick walls. There is a bracket with 2 tabs on the bottom of each firebrick wall. Angle the wall into the fireplace opening and into the slots on the side of the hearth (Figure 14), then tilt the top of the panel toward the firebox surround.

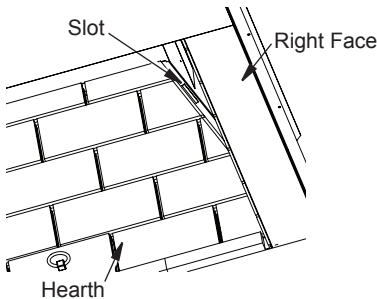


Figure 14 - Slots for Firebrick Walls

3. Secure the firebrick wall using 2 of the retainers provided. The bracket will slip underneath the metal lip on the top of the wall and screw into the inner dome of the fireplace (Figure 15).
4. Install the rear firebrick wall last. Place the wall face side down on the hearth with the bottom of the wall toward the rear of the fireplace and the top toward the front of the fireplace. Tilt the wall up toward the back of the firebox. Secure with remaining retaining brackets provided (Figure 15).

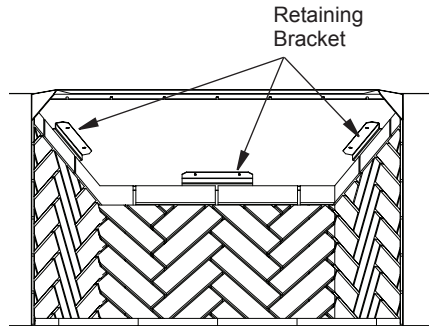


Figure 15 - Installing Side Walls

5. It is recommended that the joints between all firebrick walls be grouted for a more finished look, see page 15 for grouting instructions.

For more information and to watch a how to video go to www.fmiproducts.com and select Technical Support.

FIREBRICK WALL INSTALLATION

Continued

GROUTING INSTRUCTIONS

Material provided:

Bag of cement

Bag of sand

Material required:

Piping bag

Joints striker

Heavy duty mixing bucket

Sponge or Wet Cloth

1. Moisten brick surface with damp sponge or spray bottle just prior to application. When bricks are wet, any excess grout mixture on bricks will easily wipe off.
2. In a heavy duty mixing bucket, add equal parts cement and sand. Add enough water and mix together well using a power drill with mixing wand attachment to a yogurt like consistency. Not adding enough water can lead to grout falling out after burning.
3. The overall length of piping bag should be about 16". If the bag is longer than 16", cut it down to size by removing end with larger opening. This will make the bag easier to handle.
4. Put grout mixture into piping bag making sure the smaller opening is downward and over a moist towel to avoid spilling. Place a wet towel over the bucket making sure it is directly on the surface of grout mixture. This will keep the mixture moist and it will not dry out before use.
5. Grout all joints where two firebrick walls come together.
6. Using a trowel, remove excess grout mixture by moving trowel in the direction of the joint. Grout mixture in the joint should now be flush with brick surface. If not enough grout is applied into each space, grout may fall out after burning.
7. Using a joint striker, smooth out grout line.

Allow 72 hours before operating fireplace.

INSTALLING FIREPLACE HOOD AND SCREENS

1. Attach hood to firebox using screws provided (see Figure 16).
1. Slide round end of screen rod into rings at top of screen. Attach one push-on nut to end of rod before attaching last ring of screen.
2. Insert the round end screen rod into hole on the left and right side of smoke shelf (Figure 17).
3. Mount flat end of screen rod with #10 x 5/8" to center of smoke shelf.
4. Install other screen rod in same manner.

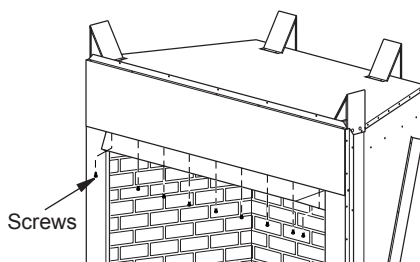


Figure 16 - Screw and Hood Placement

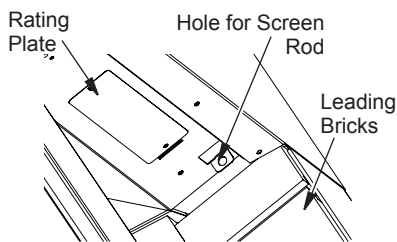


Figure 17 - Installing Fireplace Screen

GAS LINE INSTALLATION

⚠ WARNING: A qualified service person must connect heater to gas supply. Follow all local codes.

IMPORTANT: See *Connecting to Gas Supply* in your log set owner's manual for details on gas hookup.

Note: Before you proceed, make sure your gas supply is turned off.

Use only a 1/2" black iron pipe and appropriate fittings.

1. Remove knockout indentation on refractory or firebrick wall located above refractory hearth floor. Knockout indentation must be firmly tapped with any solid object such as a 1/2" dowel until it is released. Remove fragmented portions of refractory (see Figure 18).
2. Remove gas line cover plate located on either side of fireplace and pull out insulation from gas line conduit sleeve. Save insulation for reuse. Replace screws.
3. Run a 1/2" black iron gas line into fireplace through the rear at gas line conduit sleeve (if using a raised platform, add height). Provide sufficient gas line into fireplace chamber for fitting connection (see Figure 19).

Note: Secure incoming gas line to wood framing to provide rigidity for threaded end.

4. Repack insulation around gas line and into sleeve opening. Seal any gaps between gas line and refractory knockout hole with refractory cement or commercial furnace cement. Install the gas appliance or cap-off gas line if desired.

A gas line or gas log lighter may be installed for the purpose of installing a vent-free decorative gas appliance incorporating an automatic shutoff device and complying with the *Standard for Decorative Gas Appliances for Installation in Vented Fireplaces, ANSI Z21.60* or *American Gas Association draft requirements for Gas Fired Log Lighters for Wood Burning Fireplaces, Draft NO. 4* dated August, 1993.

When installing an unvented (vent-free) gas log set, only unvented gas log sets which have been found to comply with the standard for unvented room heaters, ANSI Z21.11.2 are to be installed in this fireplace.

⚠ CAUTION: All gas piping and connections must be tested for leaks after the installation is completed. After ensuring that the gas valve is on, apply soap and water solution to all connections and joints. Bubbles forming show a leak. Correct all leaks at once. DO NOT USE AN OPEN FLAME FOR LEAK TESTING AND DO NOT OPERATE ANY APPLIANCE IF A LEAK IS DETECTED. LEAK TESTING SHOULD BE DONE BY A QUALIFIED SERVICE PERSON.

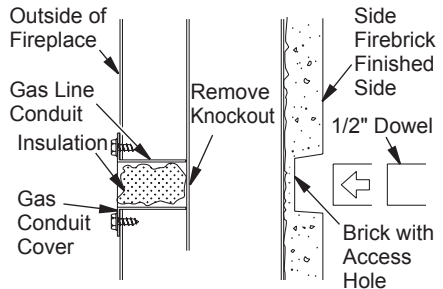


Figure 18 - Gas Line Access

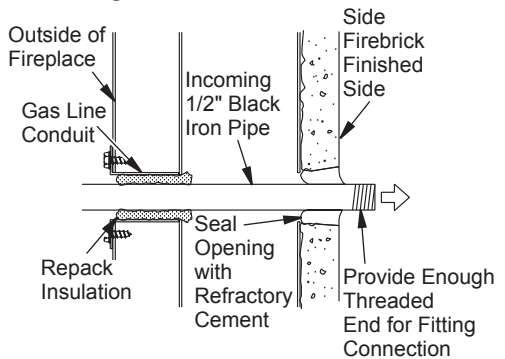


Figure 19 - Gas Line Installation

TECHNICAL SERVICE

You may have further questions about installation, operation, or troubleshooting. If so, contact FMI PRODUCTS, LLC at 1-866-328-4537.

When calling please have your model and serial numbers of your fireplace ready.

You can also visit our web site at www.fmiproducts.com.

REPLACEMENT PARTS

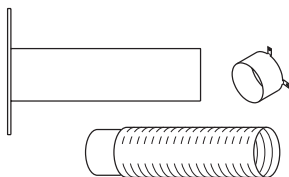
If this product is missing a part or has a broken component, please do not return it to the store. Call FMI PRODUCTS, LLC at 1-866-328-4537 to answer questions and replace parts under warranty.

Note: Use only original replacement parts. This will protect your warranty coverage for parts replaced under warranty.

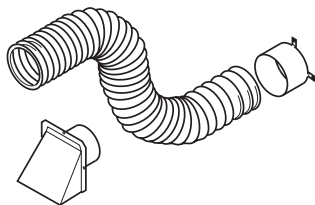
When calling or writing, please have your model and serial numbers of your fireplace ready.

Model and serial number information are in the fireplace's rating plate located on the fireplace smoke shelf.

ACCESSORIES



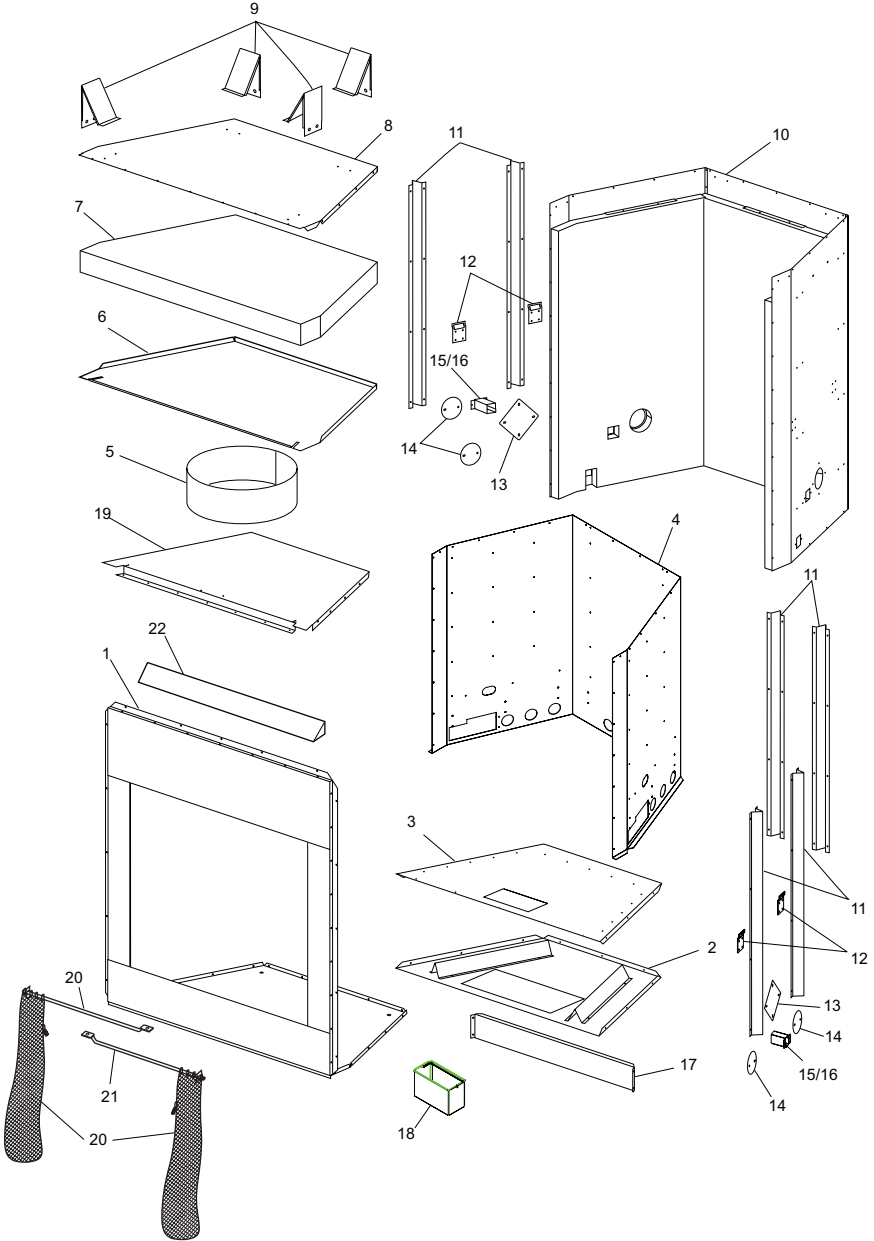
OPTIONAL OUTSIDE AIR KIT FOR FLOOR INSTALLATION - AK4F



OPTIONAL OUTSIDE AIR KIT FOR SIDEWALL INSTALLATION - AK4

PARTS

MODELS (V)UM(36,42,50)(H,S)(I,R)A SERIES AND
(V)QM(36,42,50)(H,S)(I,R)A SERIES



PARTS

This list contains replaceable parts used in your firebox. When ordering parts, follow the instructions listed under Replacement Parts on page 17 of this manual.

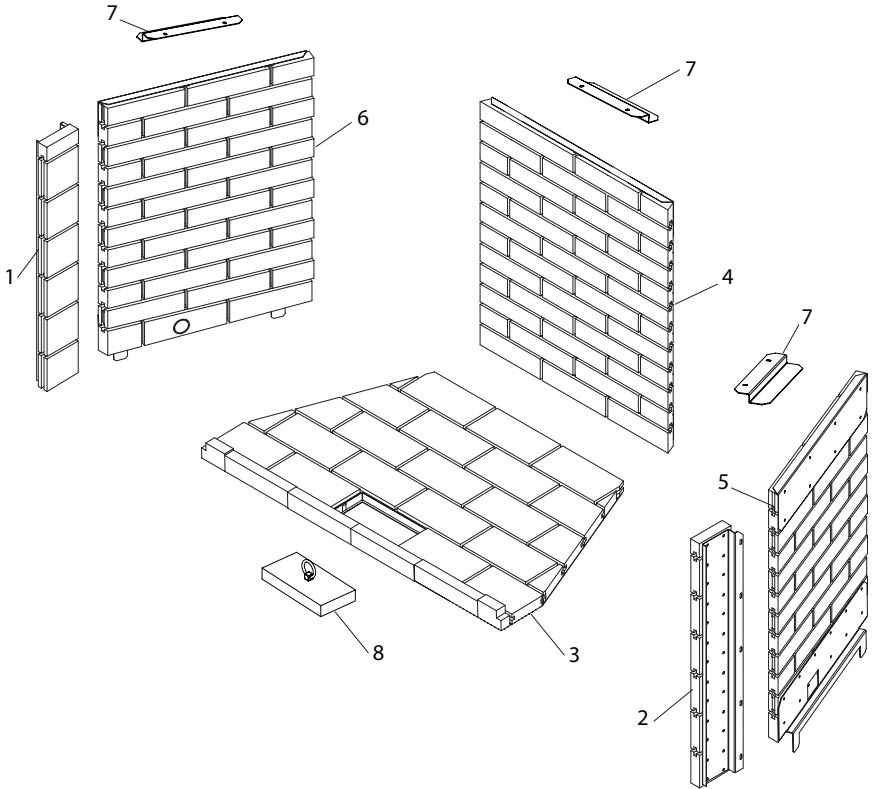
KEY NO.	PART NO.	DESCRIPTION	VYUM36	VYUM42	VYUM50	VYQM36	VYQM42	VYQM50	QTY.
1	**	Face Assembly	•	•	•	•	•	•	1
2	**	Firebox Bottom Assembly	•	•	•	•	•	•	1
3	**	Firebox Bottom	•	•	•	•	•	•	1
4	**	Firebox Surround	•	•	•	•	•	•	1
5	**	Insulation Pan Support	•	•	•	•	•	•	1
6	**	Insulation Pan	•	•	•	•	•	•	1
7	**	Top Insulation	•	•	•	•	•	•	1
8	110454-03	Fireplace Top 36"	•			•			1
	110454-02	Fireplace Top 42"		•			•		1
	110454-01	Fireplace Top 50"			•			•	1
9	23490SA	Standoff	•	•	•	•	•	•	4
10	**	Fireplace Surround Assembly	•	•	•	•	•	•	1
11	109720-02	Clearance Spacer	•	•	•	•	•	•	6
12	117891-01	Fireplace Handle Bracket	•	•	•	•	•	•	4
13	20042	Outside Air Cover Plate	•	•	•	•	•	•	2
14	21171	Gas Conduit Cover	•	•	•	•	•	•	4
15	109752-01	Conduit One	•	•	•	•	•	•	2
16	109752-02	Conduit Two	•	•	•	•	•	•	2
17	**	Heat Shield Support	•	•	•	•	•	•	1
18	123298-02	Ash Box Assembly	•	•	•	•	•	•	1
19	**	Firebox Top	•	•	•	•	•	•	1
20	109457-03	Screen 36"	•						2
	109457-02	Screen 42"		•					2
	109457-01	Screen 50"			•				2
	117556-03	Screen 36" Stainless				•			2
	117556-02	Screen 42" Stainless					•		2
	117556-01	Screen 50" Stainless						•	2
21	20806	Screen Rod 36"	•						2
	110146-03	Screen Rod 42"		•					2
	110146-02	Screen Rod 50"			•				2
	117568-03	Screen Rod 36" Stainless				•			2
	117568-02	Screen Rod 42" Stainless					•		2
	117568-01	Screen Rod 50" Stainless						•	2
22	109511-01	Hood 50"			•				1
	109511-02	Hood 42"		•					1
	109511-03	Hood 36"		•					1
	109511-04	Hood Stainless 36"					•		1
	109511-05	Hood Stainless 42"					•		1
	109511-06	Hood Stainless 50"					•		1
PARTS AVAILABLE NOT SHOWN									
	109714-02	Side Firebrick Wall Spacers	•	•	•	•	•	•	4
	114913-01	Rear Firebrick Wall Spacers	•	•	•	•	•	•	2

** Not a field replaceable part.

PARTS

MODELS MODELS (V)UM(36,42,50)(H,S)(I,R)A SERIES AND (V)QM(36,42,50)(H,S)(I,R)A SERIES

Picture may vary from actual



PARTS

This list contains replaceable parts used in your firebox. When ordering parts, follow the instructions listed under Replacement Parts on page 17 of this manual.

KEY NO.	PART NO.	DESCRIPTION							QTY.
			(V)UM, CM36SRA	(V)UM, CM36HRA	(V)UM, CM42SRA	(V)UM, CM42HRA	(V)UM, CM50SRA	(V)UM, CM50HRA	
1	125116-01	Left Leading Brick 36" Red	•	•					1
	125118-01	Left Leading Brick 42"/50" Red			•	•	•	•	1
2	125116-02	Right Leading Brick 36" Red	•	•					1
	125118-02	Right Leading Brick 42"/50" Red			•	•	•	•	1
3	125036-01	Hearth 36" Red	•	•					1
	125037-01	Hearth 42" Red			•	•			1
	125038-01	Hearth 50" Red					•	•	1
4	124210-01	Rear Stacked 36" Red	•						1
	124222-01	Rear Herringbone 36" Red		•					1
	125413-01	Rear Stacked 42" Red			•				1
	125425-01	Rear Herringbone 42" Red				•			1
	125437-01	Rear Stacked 50" Red					•		1
	125449-01	Rear Herringbone 50" Red						•	1
	125451-01	Right Herringbone 50" Red						•	1
5	124212-01	Right Stacked 36" Red	•						1
	124224-01	Right Herringbone 36" Red		•					1
	125415-01	Right Stacked 42" Red			•				1
	125427-01	Right Herringbone 42" Red				•			1
	125439-01	Right Stacked 50" Red					•		1
6	124214-01	Left Stacked 36" Red	•						1
	124226-01	Left Herringbone 36" Red		•					1
	125417-01	Left Stacked 42" Red			•				1
	125429-01	Left Herringbone 42" Red				•			1
	125441-01	Left Stacked 50" Red					•		1
	125453-01	Left Herringbone 50" Red						•	1
7	125556-01	Panel Retainers	•	•	•	•	•	•	3
8	120848-01	Ash Brick Red	•	•	•	•	•	•	1

PARTS

This list contains replaceable parts used in your firebox. When ordering parts, follow the instructions listed under Replacement Parts on page 17 of this manual.

KEY NO.	PART NO.	DESCRIPTION							QTY.
			(V)UM, CM36S/A	(V)UM, CM36H/A	(V)UM, CM42S/A	(V)UM, CM42H/A	(V)UM, CM50S/A	(V)UM, CM50H/A	
1	125116-03	Left Leading Brick 36" Ivory	•	•					1
	125118-03	Left Leading Brick 42"/50" Ivory			•	•	•	•	1
2	125116-04	Right Leading Brick 36" Ivory	•	•					1
	125118-04	Right Leading Brick 42"/50" Ivory			•	•	•	•	1
3	125036-02	Hearth 36" Ivory	•	•					1
	125037-02	Hearth 42" Ivory			•	•			1
	125038-02	Hearth 50" Ivory					•	•	1
4	124210-02	Rear Stacked 36" Ivory	•						1
	124222-02	Rear Herringbone 36" Ivory		•					1
	125413-02	Rear Stacked 42" Ivory			•				1
	125425-02	Rear Herringbone 42" Ivory				•			1
	125437-02	Rear Stacked 50" Ivory					•		1
	125449-02	Rear Herringbone 50" Ivory						•	1
	125451-02	Right Herringbone 50" Ivory						•	1
5	124212-02	Right Stacked 36" Ivory	•						1
	124224-02	Right Herringbone 36" Ivory		•					1
	125415-02	Right Stacked 42" Ivory			•				1
	125427-02	Right Herringbone 42" Ivory				•			1
	125439-02	Right Stacked 50" Ivory					•		1
	125451-02	Right Herringbone 50" Ivory						•	1
6	124214-02	Left Stacked 36" Ivory	•						1
	124226-02	Left Herringbone 36" Ivory		•					1
	125417-02	Left Stacked 42" Ivory			•				1
	125429-02	Left Herringbone 42" Ivory				•			1
	125441-02	Left Stacked 50" Ivory					•		1
	125453-02	Left Herringbone 50" Ivory						•	1
	125556-01	Panel Retainers	•	•	•	•	•	•	3
8	120848-01	Ash Brick Ivory	•	•	•	•	•	•	1

WARRANTY

KEEP THIS WARRANTY

Model (located on product or identification tag) _____

Serial No. (located on product or identification tag) _____

Date Purchased _____

Keep receipt for warranty verification.

FMI PRODUCTS, LLC LIMITED WARRANTIES

New Products

Standard Warranty: FMI PRODUCTS, LLC warrants this new product and any parts thereof to be free from defects in material and workmanship for a period of four (4) years from the date of first purchase from an authorized dealer provided the product has been installed, maintained and operated in accordance with FMI PRODUCTS, LLC's warnings and instructions.

For products purchased for commercial, industrial or rental usage, this warranty is limited to 90 days from the date of first purchase.

Factory Reconditioned Products

Limited Warranty: FMI PRODUCTS, LLC warrants factory reconditioned products and any parts thereof to be free from defects in material and workmanship for 30 days from the date of first purchase from an authorized dealer provided the product has been installed, maintained and operated in accordance with FMI PRODUCTS, LLC's warnings and instructions.

Terms Common to All Warranties

The following terms apply to all of the above warranties:

Always specify model number and serial number when contacting the manufacturer. To make a claim under this warranty the bill of sale or other proof of purchase must be presented.

This warranty is extended only to the original retail purchaser when purchased from an authorized dealer, and only when installed by a qualified installer in accordance with all local codes and instructions furnished with this product.

This warranty covers the cost of part(s) required to restore this product to proper operating condition and an allowance for labor when provided by a FMI PRODUCTS, LLC Authorized Service Center or a provider approved by FMI PRODUCTS, LLC. Warranty parts must be obtained through authorized dealers of this product and/or FMI PRODUCTS, LLC who will provide original factory replacement parts. Failure to use original factory replacement parts voids this warranty.

Travel, handling, transportation, diagnostic, material, labor and incidental costs associated with warranty repairs, unless expressly covered by this warranty, are not reimbursable under this warranty and are the responsibility of the owner.

Excluded from this warranty are products or parts that fail or become damaged due to misuse, accidents, improper installation, lack of proper maintenance, tampering, or alteration(s).

This is FMI PRODUCTS, LLC's exclusive warranty, and to the full extent allowed by law; this express warranty excludes any and all other warranties, express or implied, written or verbal and limits the duration of any and all implied warranties, including warranties of merchantability and fitness for a particular purpose to four (4) years on new products and 30 days on factory reconditioned products from the date of first purchase. FMI PRODUCTS, LLC makes no other warranties regarding this product.

FMI PRODUCTS, LLC's liability is limited to the purchase price of the product, and FMI PRODUCTS, LLC shall not be liable for any other damages whatsoever under any circumstances including indirect, incidental, or consequential damages.

Some states do not allow limitations on how long an implied warranty lasts or the exclusion or limitation of incidental or consequential damages, so the above limitation or exclusion may not apply to you.

This warranty gives you specific legal rights, and you may also have other rights which vary from state to state.

For information about this warranty contact:


FMI PRODUCTS, LLC
2701 S. Harbor Blvd.
Santa Ana, CA 92704
1-866-328-4537
www.fmiproducts.com

124382-01
Rev.B
03/11