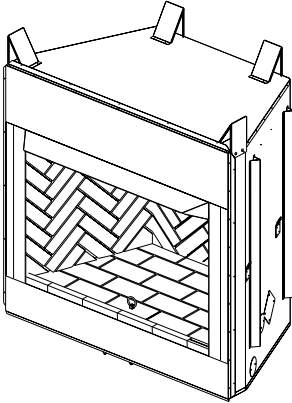




**FMI PRODUCTS, LLC**

**UNVENTED (VENT-FREE) UNIVERSAL FIREBOX  
OWNER'S OPERATION AND INSTALLATION MANUAL**



**MODELS (V)UM36(SR,SI,HR,HI), VCM-36U, (V)UM42(SR,SI,HR,HI),  
VCM-42U, (V)UM50(SR,SI,HR,HI), VCM-50U**

**⚠ WARNING:** If the information in this manual is not followed exactly, a fire or explosion may result causing property damage, personal injury or loss of life.

- Do not store or use gasoline or other flammable vapors and liquids in the vicinity of this or any other appliance.
- **WHAT TO DO IF YOU SMELL GAS**
  - Do not try to light any appliance.
  - Do not touch any electrical switch; do not use any phone in your building.
  - Immediately call your gas supplier from a neighbor's phone. Follow the gas supplier's instructions.
  - If you cannot reach your gas supplier, call the fire department.
- Installation and service must be performed by a qualified installer, service agency or the gas supplier.

**INSTALLER:** Leave this manual with the appliance.  
**CONSUMER:** Retain this manual for future reference.

**⚠ WARNING: Improper installation, adjustment, alteration, service or maintenance can cause injury or property damage. Refer to this manual for correct installation and operational procedures. For assistance or additional information consult a qualified installer, service agency or the gas supplier.**

**⚠ WARNING: Carefully review the instructions supplied with the decorative type unvented room heater for the minimum fireplace size requirement.**

**DO NOT INSTALL THE APPLIANCE IN THIS FIREBOX, UNLESS THIS FIREBOX MEETS THE MINIMUM DIMENSIONS REQUIRED FOR THE INSTALLATION.**

**⚠ WARNING: FOR USE ONLY WITH A LISTED, GAS-FIRED UNVENTED DECORATIVE ROOM HEATER NOT TO EXCEED 40,000 BTU/H.**

**DO NOT BUILD A WOOD FIRE.**

## TABLE OF CONTENTS

Safety .....	2	Installation .....	10
Local Codes.....	4	Technical Service.....	23
Product Features.....	4	Replacement Parts.....	23
Locating Firebox.....	4	Parts .....	24
Product Specifications.....	5	Warranty.....	Back Cover
Air For Combustion and Ventilation.....	8		

## SAFETY

**This appliance may be installed in an aftermarket,\* permanently located, manufactured (mobile) home, where not prohibited by local codes.**

\* Aftermarket: Completion of sale, not for purpose of resale, from the manufacturer

**This firebox has been tested under Z21.91b-2004 for use with approved ANSI Z21.11.2 decorative type unvented room heater.**

**IMPORTANT: Read this owner's manual carefully and completely before trying to assemble, operate or service this fireplace. Improper use of this fireplace can cause serious injury or death from burns, fire, explosion, electrical shock and carbon monoxide poisoning.**

**⚠ DANGER: Carbon monoxide poisoning may lead to death!**

# SAFETY

*Continued*

**⚠ WARNING:** Any change to this firebox or its controls can be dangerous.

**⚠ WARNING:** Do not allow fans to blow directly into the firebox. Avoid any drafts that alter burner flame patterns. Ceiling fans can create drafts that alter burner flame patterns. Altered burner patterns can cause sooting.

**⚠ WARNING:** Do not use a blower insert, heat exchanger insert or other accessory not approved for use with this firebox.

**Due to high temperatures, the appliance should be located out of traffic and away from furniture and draperies.**

**Do not place clothing or other flammable material on or near the appliance. Never place any objects in the firebox or on logs.**

**Firebox front and screen becomes very hot when running firebox. Keep children and adults away from hot surfaces to avoid burns or clothing ignition. Firebox will remain hot for a time after shutdown. Allow surfaces to cool before touching.**

**Carefully supervise young children when they are in the room with firebox.**

**Keep the fireplace area clear and free from combustible materials, gasoline, and other flammable vapors and liquids.**

**You must operate this fireplace with the provided fireplace screen and hood in place. Make sure these parts are in place and screens are closed before running installed gas log heater. Replace hood with FMI PRODUCTS, LLC model 109511-01 50", 109511-02 42", or 109511-03 36" only. This hood has been designed to keep the operation of your fireplace safe and efficient.**

1. Do not use this firebox as a wood burning fireplace. Use only decorative unvented room heaters (log sets).
2. Do not add extra logs or ornaments such as pine cones, vermiculite or rock wool. Using these added items can cause sooting.
3. Use only the provided hood. See Parts, page 30.
4. Vent-free gas log heaters installed in these fireboxes require fresh air ventilation to run properly. See Air for Combustion and Ventilation, page 8.
5. Do not run vent-free heaters installed in these fireboxes
  - where flammable liquids or vapors are used or stored
  - under dusty conditions
6. Do not use this firebox to cook food or burn paper or other objects.
7. Turn unit off and let cool before servicing. Only a qualified service person should service and repair firebox.
8. Operating vent-free heaters installed in these fireboxes above elevations of 4,500 feet could cause pilot outage.
9. Do not use the firebox if it has been under water.
10. Before using furniture polish, wax, carpet cleaner or similar products, turn heater off. If heated, the vapors from these products may create a white powder residue within burner box or on adjacent walls and furniture.
11. Provide adequate clearances around air openings.

## LOCAL CODES

Install and use firebox with care. Follow all local codes. In the absence of local codes, use the latest edition of *The National Fuel Gas Code ANSI Z223.1/NFPA 54\**. Firebox must be electrically grounded in accordance with the *National Electrical Code, ANSI/NFPA70* (latest edition).

\*Available from:

American National Standards Institute, Inc.  
1430 Broadway  
New York, NY 10018

National Fire Protection Association, Inc.  
Batterymarch Park  
Quincy, MA 02269

**State of Massachusetts:** The installation must be made by a licensed plumber or gas fitter in the Commonwealth of Massachusetts.

Sellers of unvented propane or natural gas-fired supplemental room heaters shall provide to each purchaser a copy of 527 CMR 30 upon sale of the unit.

Vent-free gas products are prohibited for bedroom and bathroom installation in the Commonwealth of Massachusetts.

## PRODUCT FEATURES

### OPERATION

This firebox is designed for use with approved ANSI Z21.11.2 decorative type unvented room heaters. (Physical size limitations apply. Refer to minimum firebox requirements supplied with log heater.) It requires no outside venting or chimney making installation easy and inexpensive.

## LOCATING FIREBOX

### PLANNING

Plan where you will install the firebox. This will save time and money later when you install the firebox. Before installation, consider the following:

1. Where firebox will be located. Allow for wall and ceiling clearances (see *Installation Clearances*, page 11).
2. Everything needed to complete installation.
3. These models CANNOT be installed in a bedroom unless maximum Btu rating of installed vent-free log set is less than 10,000 Btu/hr.
4. Proper air for combustion and ventilation (page 8).

# PRODUCT SPECIFICATIONS

## 36" MODELS (V)UM36 SERIES AND VCM-36U

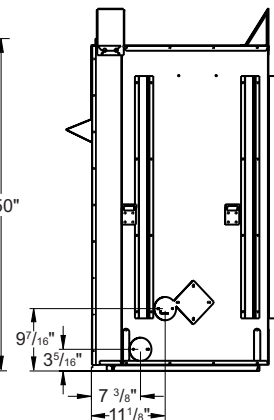
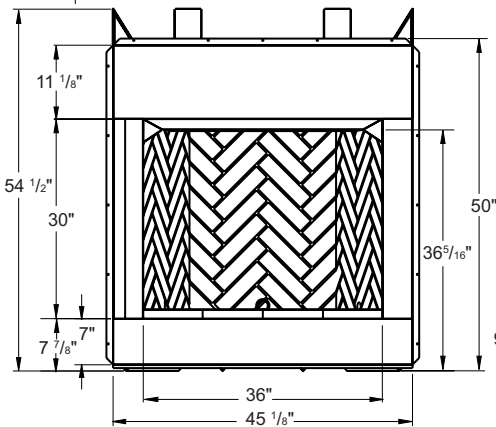
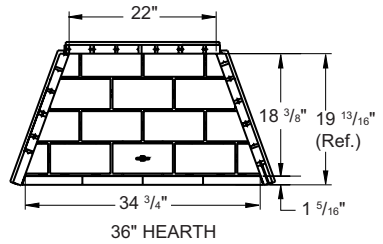
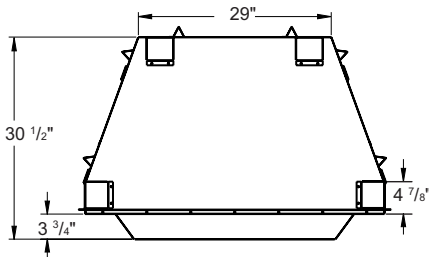
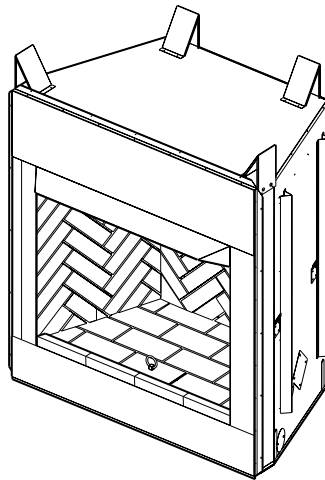


Figure 1 - 36" Models (V)UM36 Series and VCM-36U

# PRODUCT SPECIFICATIONS

Continued

## 42" MODELS (V)UM42 SERIES AND VCM-42U

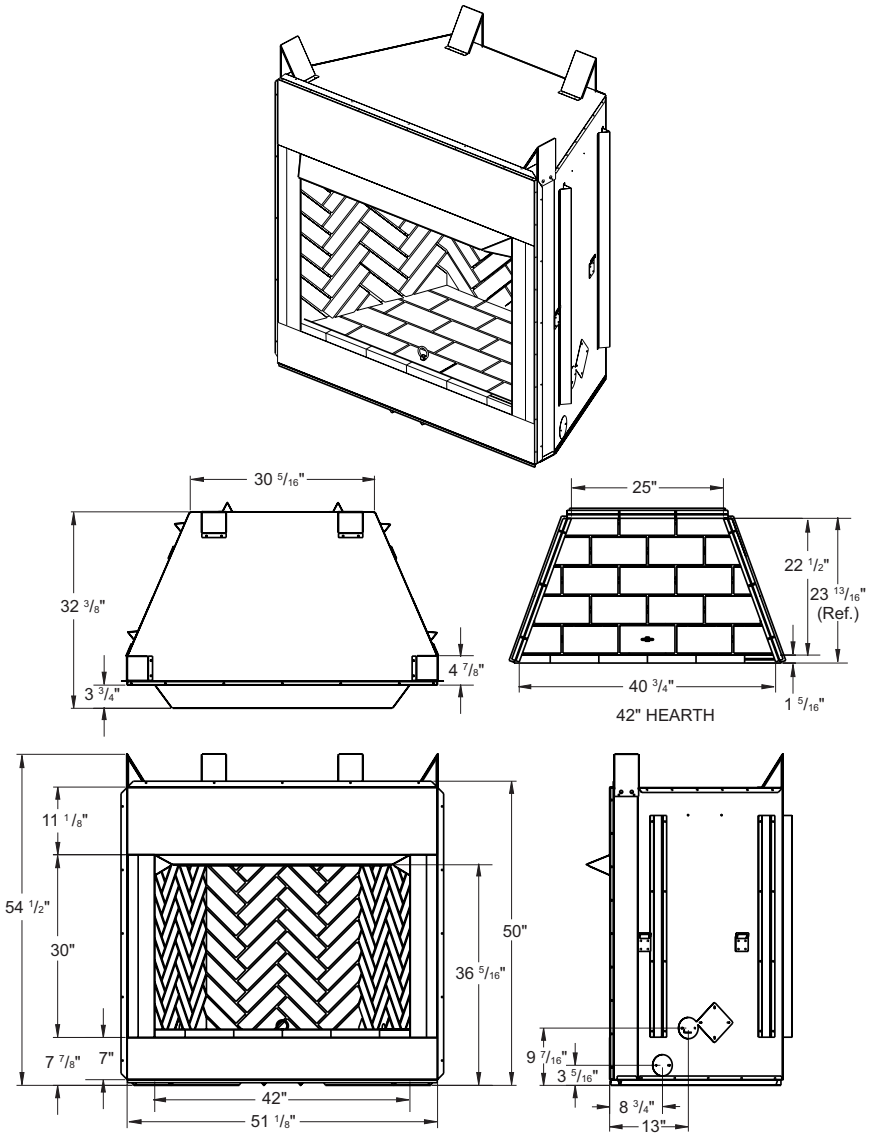
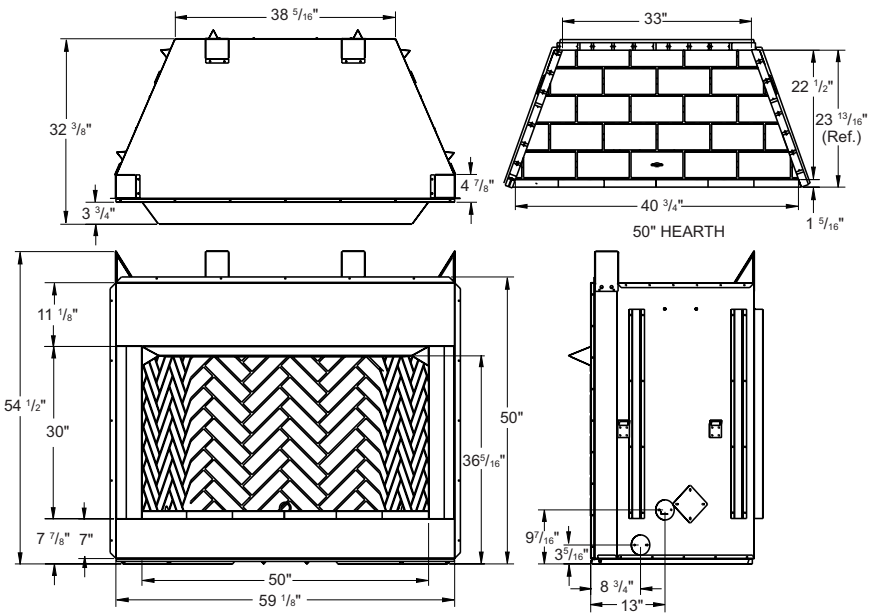
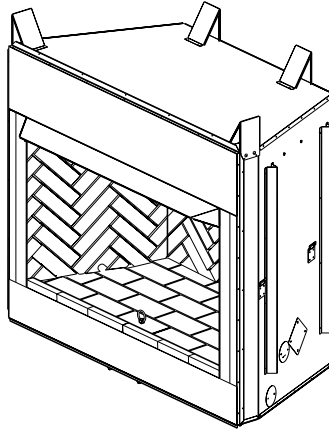


Figure 2 - 42" Models (V)UM42 Series and VCM-42U

# PRODUCT SPECIFICATIONS

*Continued*

## 50" MODELS (V)UM50 SERIES AND VCM-50U



**Figure 3 - 50" Models (V)UM50 Series and VCM-50U**

# AIR FOR COMBUSTION AND VENTILATION

**⚠ WARNING:** This heater shall not be installed in a room or space unless the required volume of indoor combustion air is provided by the method described in the *National Fuel Gas Code, ANSI Z223.1/NFPA 54*, the *International Fuel Gas Code*, or applicable local codes. Read the following instructions to insure proper fresh air for this and other fuel-burning appliances in your home.

Today's homes are built more energy efficient than ever. New materials, increased insulation and new construction methods help reduce heat loss in homes. Home owners weather strip and caulk around windows and doors to keep the cold air out and the warm air in. During heating months, home owners want their homes as airtight as possible.

While it is good to make your home energy efficient, your home needs to breathe. Fresh air must enter your home. All fuel-burning appliances need fresh air for proper combustion and ventilation.

Exhaust fans, fireplaces, clothes dryers and fuel burning appliances draw air from the house to operate. You must provide adequate fresh air for these appliances. This will insure proper venting of vented fuel-burning appliances.

## PROVIDING ADEQUATE VENTILATION

The following are excerpts from *National Fuel Gas Code, ANSI Z223.1/NFPA 54, Air for Combustion and Ventilation*.

All spaces in homes fall into one of the three following ventilation classifications:

1. Unusually Tight Construction
2. Unconfined Space
3. Confined Space

The information on pages 8 through 10 will help you classify your space and provide adequate ventilation.

### Unusually Tight Construction

The air that leaks around doors and windows may provide enough fresh air for combustion and ventilation. However, in buildings of unusually tight construction, you must provide additional fresh air.

Unusually tight construction is defined as construction where:

- a. walls and ceilings exposed to the outside atmosphere have a continuous water vapor retarder with a rating of one perm ( $6 \times 10^{-11}$  kg per pa-sec- $m^2$ ) or less with openings gasketed or sealed and
- b. weather stripping has been added on openable windows and doors and
- c. caulking or sealants are applied to areas such as joints around window and door frames, between sole plates and floors, between wall-ceiling joints, between wall panels, at penetrations for plumbing, electrical and gas lines and at other openings.

If your home meets all of the three criteria above, you must provide additional fresh air. See [Ventilation Air From Outdoors](#), page 10.

If your home does not meet all of the three criteria above, proceed to [Determining Fresh-Air Flow For Firebox Location](#).

### Confined and Unconfined Space

The *National Fuel Gas Code, ANSI Z223.1/NFPA 54* defines a confined space as a space whose volume is less than 50 cubic feet per 1,000 Btu per hour (4.8  $m^3$  per kw) of the aggregate input rating of all appliances installed in that space and an unconfined space as a space whose volume is not less than 50 cubic feet per 1,000 Btu per hour (4.8  $m^3$  per kw) of the aggregate input rating of all appliances installed in that space. Rooms communicating directly with the space in which the appliances are installed\*, through openings not furnished with doors, are considered a part of the unconfined space.

\* Adjoining rooms are communicating only if there are doorless passageways or ventilation grills between them.

## DETERMINING FRESH-AIR FLOW FOR FIREBOX LOCATION

### Determining if You Have a Confined or Unconfined Space

Use this work sheet to determine if you have a confined or unconfined space.

**Space:** Includes the room in which you will install heater plus any adjoining rooms with doorless passageways or ventilation grills between the rooms.



# AIR FOR COMBUSTION AND VENTILATION

Continued

- Determine the volume of the space (length x width x height).  
 $\text{Length} \times \text{Width} \times \text{Height} = \underline{\hspace{2cm}}$  cu. ft.  
 (volume of space)

*Example:* Space size 22 ft. (length) x 18 ft. (width) x 8 ft. (ceiling height) = 3,168 cu. ft. (volume of space)

If additional ventilation to adjoining room is supplied with grills or openings, add the volume of these rooms to the total volume of the space.

- Multiply the space volume by 20 to determine the maximum Btu/Hr the space can support.  
 $\underline{\hspace{2cm}}$  (volume of space) x 20 = (Maximum Btu/Hr the space can support)

*Example:* 3,168 cu. ft. (volume of space) x 20 = 63,360 (maximum Btu/Hr space can support)

- Add the Btu/Hr of all fuel burning appliances in the space.

Vent-free fireplace	<u>          </u>	Btu/Hr
Gas water heater*	<u>          </u>	Btu/Hr
Gas furnace	<u>          </u>	Btu/Hr
Vented gas heater	<u>          </u>	Btu/Hr
Gas fireplace logs	<u>          </u>	Btu/Hr
Other gas appliances* +	<u>          </u>	Btu/Hr
Total	= <u>          </u>	Btu/Hr

\* Do not include direct-vent gas appliances. Direct-vent draws combustion air from the outdoors and vents to the outdoors.

*Example:*

Gas water heater	<u>  40,000  </u>	Btu/Hr
Vent-free fireplace	+ <u>  39,000  </u>	Btu/Hr
Total	= <u>  79,000  </u>	Btu/Hr

- Compare the maximum Btu/Hr the space can support with the actual amount of Btu/Hr used.

           Btu/Hr (maximum the space can support)

           Btu/Hr (actual amount of Btu/Hr used)

*Example:* 63,360 Btu/Hr (maximum the space can support)

79,000 Btu/Hr (actual amount of Btu/Hr used)

The space in the example is a confined space because the actual Btu/Hr used is more than the maximum Btu/Hr the space can support. You must provide additional fresh air. Your options are as follows:

- Rework worksheet, adding the space of an adjoining room. If the extra space provides an unconfined space, remove door to adjoining room or add ventilation grills between rooms. See *Ventilation Air From Inside Building*.
- Vent room directly to the outdoors. See *Ventilation Air From Outdoors*, page 10.
- Install a lower Btu/Hr fireplace, if lower Btu/Hr size makes room unconfined.

If the actual Btu/Hr used is less than the maximum Btu/Hr the space can support, the space is an unconfined space. You will need no additional fresh air ventilation.

**⚠ WARNING:** If the area in which the heater may be operated does not meet the required volume for indoor combustion air, combustion and ventilation air shall be provided by one of the methods described in the *National Fuel Gas Code, ANSI Z223.1/NFPA 54*, the *International Fuel Gas Code*, or applicable local codes.

## VENTILATION AIR

### Ventilation Air From Inside Building

This fresh air would come from an adjoining unconfined space. When ventilating to an adjoining unconfined space, you must provide two permanent openings: one within 12" of the ceiling and one within 12" of the floor on the wall connecting the two spaces (see options 1 and 2, Figure 4). You can also remove door into adjoining room (see option 3, Figure 4). Follow the *National Fuel Gas Code, ANSI Z223.1/NFPA 54, Air for Combustion and Ventilation* for required size of ventilation grills or ducts.

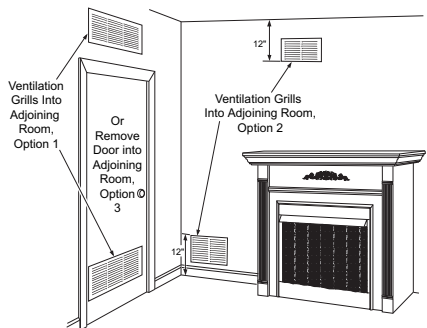


Figure 4 - Ventilation Air from Inside Building

# AIR FOR COMBUSTION AND VENTILATION

Continued

## Ventilation Air From Outdoors

Provide extra fresh air by using ventilation grills or ducts. You must provide two permanent openings: one within 12" of the ceiling and one within 12" of the floor. Connect these items directly to the outdoors or spaces open to the outdoors. These spaces include attics and crawl spaces. Follow the *National Fuel Gas Code, ANSI Z223.1/NFPA 54, Air for Combustion and Ventilation* for required size of ventilation grills or ducts.

**IMPORTANT:** Do not provide openings for inlet or outlet air into attic if attic has a thermostat-controlled power vent. Heated air entering the attic will activate the power vent.

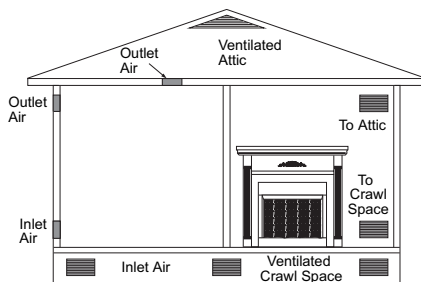


Figure 5 - Ventilation Air from Outdoors

## INSTALLATION

**WARNING:** A qualified service person must install firebox. Follow all local codes.

**WARNING:** Never install firebox

- in a bedroom or bathroom\*
- in a recreational vehicle
- where curtains, furniture, clothing, or other flammable objects are less than 36" from front or 42" from top of firebox; for side clearances see Figure 4, page 11
- in high traffic areas
- in windy or drafty areas

\* Unless installed log set is rated at 10,000 Btu/Hr or less.

**CAUTION:** Log heaters installed in this firebox create warm air currents. These currents move heat to wall surfaces next to firebox. Installing firebox next to vinyl or cloth coverings or operating firebox where impurities (such as, but not limited to, tobacco smoke, aromatic candles, cleaning fluids, oil or kerosene lamps, etc.) in the air exist, may discolor walls or cause odors.

**NOTICE:** The firebox identification label (including model number, serial number, clearances, etc.) is located on a chain under the bottom refractory.

**IMPORTANT:** Vent-free gas log heaters add moisture to the air. Although this is beneficial, installing firebox in rooms without enough ventilation air may cause mildew to form from too much moisture. See, page 8.

**IMPORTANT:** Make sure the firebox is level. If firebox is not level, log set will not work properly.

*Note: Your firebox is designed to be used in zero clearance installations. Wall or framing material can be placed against any exterior surface on the rear, sides, top or bottom of your firebox, except where standoff spacers are integrally attached. If standoff spacers are attached to your firebox, these spacers can be placed directly against wall or framing materials. Use the dimensions shown for rough opening to create the easiest installation.*

Use dimensions shown for rough openings to create the easiest installation (see [Built-In Firebox Installation](#), page 12).

# INSTALLATION

Continued

## INSTALLATION CLEARANCES

**⚠ WARNING: Maintain the minimum clearances. If you can, provide greater clearances from floor, ceiling, and adjoining wall.**

Carefully follow the instructions below. This will ensure safe installation.

### Minimum Wall and Ceiling Clearances (see Figure 6)

A. Clearances from the side of the fireplace cabinet to any combustible material and wall should follow diagram in Figure 6.

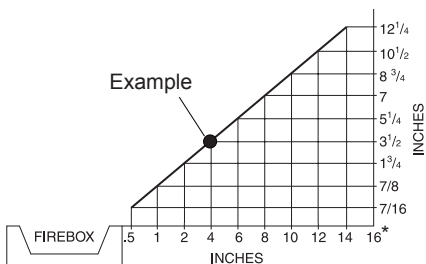
*Example:* The face of a mantel, bookshelf, etc. is made of combustible material and protrudes 3 1/2" from the wall. This combustible material must be 4" from the side of the fireplace cabinet (see Figure 4).

B. Clearances from the top of the firebox opening to the ceiling should not be less than 42".

C. When the firebox is installed directly on carpeting, tile or other combustible material, other than wood flooring, the firebox should be installed on a metal or wood panel extending the full width and depth of the enclosure.

D. Clearances from the bottom of firebox to the floor is 0".

These fireboxes can be installed as free-standing units against a wall with approved cabinet mantels that may be available from your retailer or supplier, or as a built-in unit. The clearances are the same for either installation method.



\*Minimum 16" from Side Wall

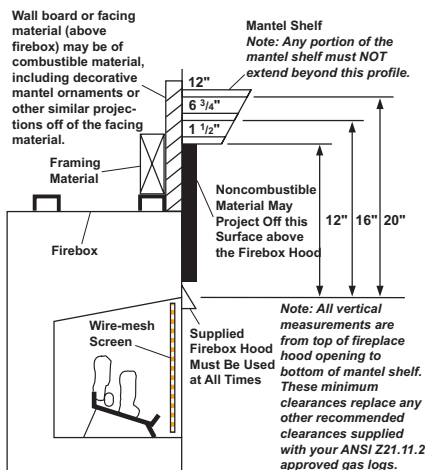
**Figure 6 - Minimum Clearance for Combustible to Wall**

## Mantel Clearances for Built-In Installation

If placing custom mantel above built-in firebox, you must meet the minimum allowable clearance between mantel shelf and top of firebox opening shown in Figure 7. These are the minimum allowable mantel clearances for a safe installation. Use larger clearances wherever possible to minimize the heating of objects and materials placed on the mantel.

**⚠ CAUTION: Do not allow the vent-free gas log heater to touch or extend beyond the fireplace screen.**

**NOTICE: Surface temperatures of adjacent walls and mantels become hot during operation. Walls and mantels above the firebox may become hot to the touch. If installed properly, these temperatures meet the requirement of the national product standard. Follow all minimum clearances shown in this manual.**



**Figure 7 - Minimum Mantel Clearances for Built-In Installation**

# INSTALLATION

*Continued*

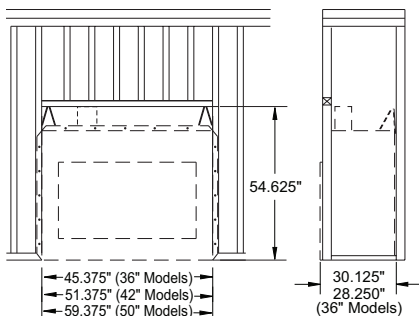
**NOTICE: If your installation does not meet the minimum clearances shown, you must do one of the following:**

- raise the mantel to an acceptable height
- remove the mantel

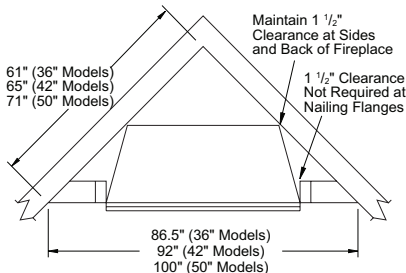
## BUILT-IN FIREBOX INSTALLATION

Built-in installation of this firebox involves installing firebox into a framed-in enclosure. This makes the front of firebox flush with wall. If installing a mantel above the firebox, you must follow the clearances shown in Figure 7, page 11. Follow these instructions to install the firebox in this manner.

1. Frame in rough opening. The firebox framing should be constructed of 2 x 4 lumber or heavier. Use dimensions and rough opening layout in Figure 8. Adjust framing so that firebox flushes with finished wall surface. If installing in a corner, use dimensions in Figure 9, for rough opening.
2. Install gas piping to firebox location. See *Installing Gas Line* on page 14 and *Connecting to Gas Supply* in log set owner's manual.



**Figure 8 - Framing Dimensions**



**Figure 9 - Corner Installation**

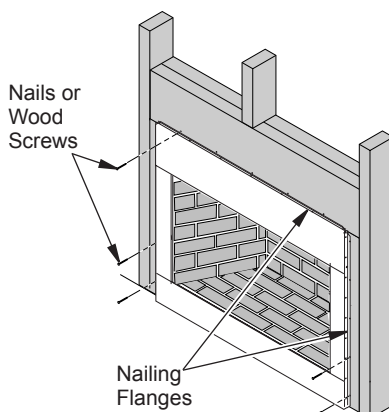
3. Carefully set firebox in front of rough opening with back of firebox inside wall opening.
4. Carefully insert firebox into rough opening.
5. Attach firebox to wall studs using nails or wood screws through holes in nailing flange (see Figure 10).
6. Install and properly test gas log heater. Follow installation instructions included with the vent-free gas log heater that is being installed.

**IMPORTANT:** When finishing your firebox, combustible materials such as wall board, gypsum board, sheet rock, drywall, plywood, etc. may be butted up next to the sides and top of the firebox. Combustible materials should never overlap the firebox front facing.

**WARNING: Do not allow any combustible materials to overlap the firebox front facing.**

**IMPORTANT:** Noncombustible materials such as brick, tile, etc. may overlap the front facing, but should never cover any necessary openings.

**WARNING: Do not allow non-combustible materials to cover any necessary openings.**



**Figure 10 - Attaching Firebox to Wall Studs**

## INSTALLATION

*Continued*

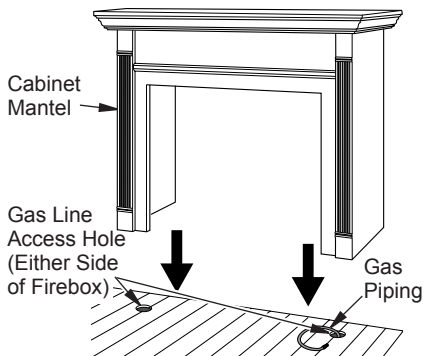
**⚠ WARNING:** Use only non-combustible mortar or adhesives when overlapping the front facing with noncombustible facing material.

### INSTALLING FIREBOX USING OPTIONAL MANTELS AVAILABLE FROM RETAILER OR CUSTOM BUILT

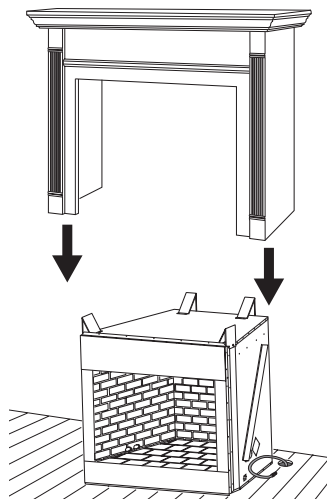
**⚠ WARNING:** A qualified service person must install firebox. Follow all local codes.

This firebox may be installed using a cabinet mantel against a wall in your home. The firebox and cabinet mantel can be installed directly on the floor. Mantels may be available from your retailer or custom built for your home.

1. Assemble cabinet mantel as instructed.
2. Install gas piping to firebox location. See *Installing Gas Line, page 14*. You may have to cut an access hole in the floor or wall to run gas line to firebox. Make sure to locate access hole so cabinet mantel will cover it when installed (see Figure 11).
3. Place firebox on floor in desired location. Make sure mantel will be flush against wall when installed.
4. Carefully slide cabinet mantel over firebox. Be careful not to scratch firebox, cabinet mantel, flooring, etc., when installing (see Figure 12).
5. Install and properly test gas log heater. Follow installation instructions included with the vent-free gas log heater that is being installed.



**Figure 11 - Installing Cabinet Mantel (Mantel May Vary From Illustration)**



**Figure 12 - Inserting Firebox Into Cabinet Mantel (Mantel May Vary From Illustration)**

# INSTALLATION

Continued

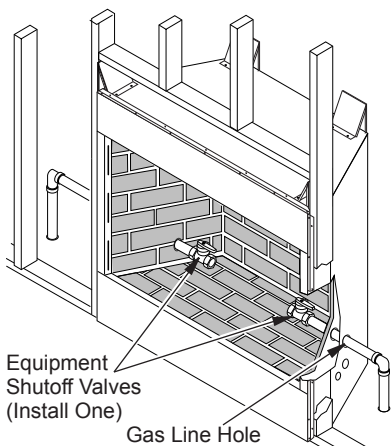
## INSTALLING GAS LINE

**WARNING:** A qualified service person must connect heater to gas supply. Follow all local codes.

**IMPORTANT:** See *Connecting to Gas Supply* in your log set owner's manual for details on gas hookup.

You may run the gas line from either side of the firebox (see Figure 13). Decide which side you want to run the gas line from.

*Note: This is one option for installing shutoff valve. Check local codes for equipment shutoff valve location requirements.*



**Figure 13 - Installing Gas Line and Equipment Shutoff Valve (Model May Vary From Illustration)**

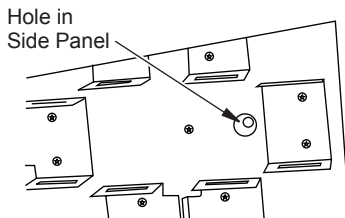
## BRICK PANEL INSTALLATION

**IMPORTANT:** Installation of brick should be done after the fireplace is placed in a permanent location.

The brick housings are already installed on the panels. When installing brick housing panels into fireplace, wear gloves as edges may be sharp.

1. Beginning with left side panel, place panel, bottom edge first, at an angle into fireplace. Secure to bottom of fireplace with screws provided.

2. Install right side as left side in step 1 using screws provided.
3. Install back panel and secure back to sides and bottom of firebox with screws provided.
4. Using self-tapping screws and a drill, place screws into large holes in back and side panels (see *Parts*, page 32), through wire mesh and into firebox wrapper to secure.



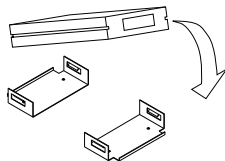
**Figure 14 - Hole in Side Panel to Attach to Firebox Wrapper**

## BRICK INSTALLATION

Each brick housing is stamped with a number (full size bricks are not stamped). These numbers will help identify the brick when installing. It is important to install these bricks exactly as instructed. Press brick firmly into brick housing until it snaps. Groove line on side of brick will come in contact with flange on the brick housing. This secures brick into housing (see Figure 15). Smaller bricks may require a small portion of furnace cement applied to back of brick to secure it until grouting has been completed.

Bricks are packaged in separate boxes. The brick matrixes on pages 15 through 27 show how bricks are packaged and placed for each size fireplace and the number of bricks per box. There are 2 extra full bricks included in Hearth Brick package.

Install bricks one section at a time starting with hearth panel followed by the rear panel, left panel and right panel. It is important to install the bricks in sequence. Please note, full size bricks are NOT stamped.

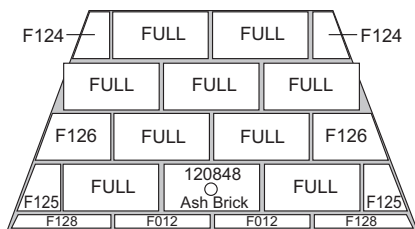


**Figure 15 - Installing Bricks into Brick Housings**

# INSTALLATION

Continued

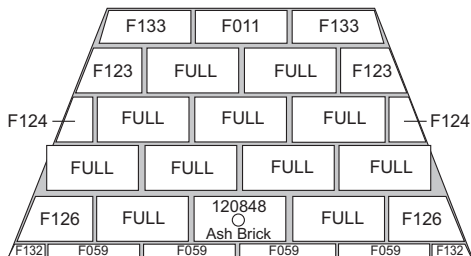
## HEARTH BRICK MATRIX



36" Hearth

<u>RED</u>	<u>IVORY</u>	<u>QTY</u>
FULL	FULL	11*
(112140-01)	(112140-05)	
ASH BRICK	ASH BRICK	1
(120848-01)	(120848-03)	
F012R	F012W	2
F124R	F124W	2
F125R	F125W	2
F126R	F126W	2
F128R	F128W	2

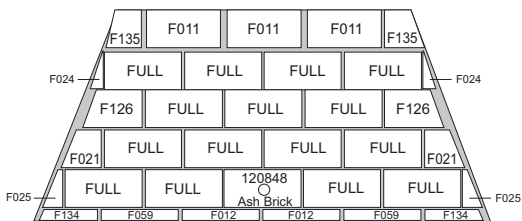
\* Includes 2 extra bricks.



42" Hearth

<u>RED</u>	<u>IVORY</u>	<u>QTY</u>
FULL	FULL	13*
(112140-01)	(112140-05)	
ASH BRICK	ASH BRICK	1
(120848-01)	(120848-03)	
F011R	F011W	1
F059R	F059W	4
F123R	F123W	2
F124R	F124W	2
F126R	F126W	2
F132R	F132W	2
F133R	F133W	2

\* Includes 2 extra bricks.



50" Hearth

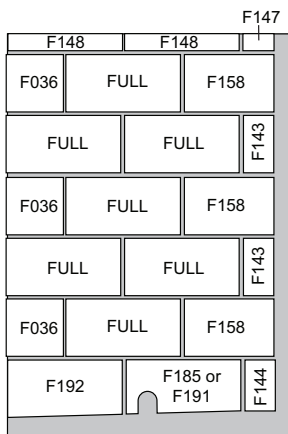
<u>RED</u>	<u>IVORY</u>	<u>QTY</u>
FULL	FULL	17*
(112140-01)	(112140-05)	
ASH BRICK	ASH BRICK	1
(120848-01)	(120848-03)	
F011R	F011W	3
F011R	F012W	2
F021R	F021W	2
F024R	F024W	2
F025R	F025W	2
F059R	F059W	2
F126R	F126W	2
F134R	F134W	2
F135R	F135W	2

\* Includes 2 extra bricks.

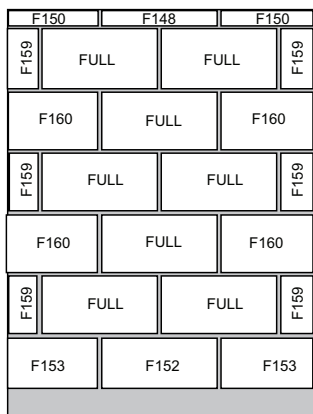
# INSTALLATION

Continued

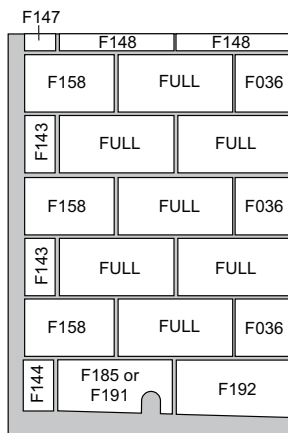
## 36" FULL STACKED BRICK MATRIX



LEFT REFRACTORY		
<u>RED</u>	<u>IVORY</u>	<u>QTY</u>
FULL	FULL	7
(112140-01)	(112140-05)	
F036R	F036W	3
F143R	F143W	2
F144R	F144W	1
F147R	F147W	1
F148R	F148W	2
F158R	F158W	3
F185R	F185W	1
F191R	F191W	1
F192R	F192W	1



REAR REFRACTORY		
<u>RED</u>	<u>IVORY</u>	<u>QTY</u>
FULL	FULL	8
(112140-01)	(112140-05)	
F148R	F148W	1
F150R	F150W	2
F152R	F152W	1
F153R	F153W	2
F159R	F159W	6
F160R	F160W	4



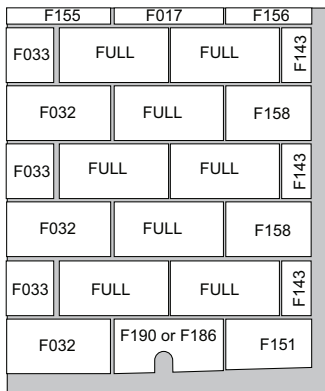
RIGHT REFRACTORY		
<u>RED</u>	<u>IVORY</u>	<u>QTY</u>
FULL	FULL	7
(112140-01)	(112140-05)	
F036R	F036W	3
F143R	F143W	2
F144R	F144W	1
F147R	F147W	1
F148R	F148W	2
F158R	F158W	3
F185R	F185W	1
F191R	F195W	1
F192R	F192W	1



# INSTALLATION

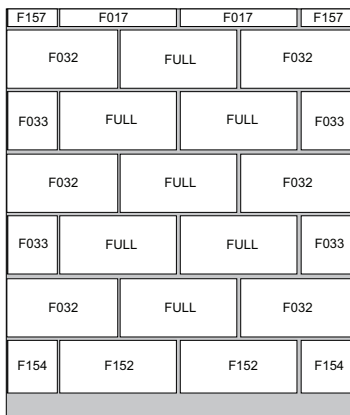
Continued

## 42" FULL STACKED BRICK MATRIX



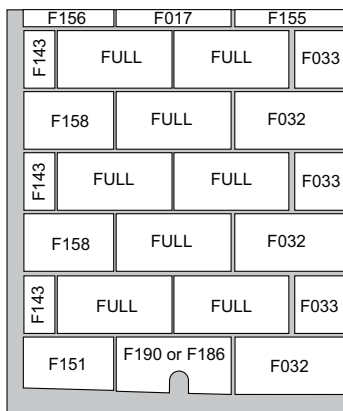
### LEFT REFRACTORY

<u>RED</u>	<u>IVORY</u>	<u>QTY</u>
FULL	FULL	8
(112140-01)	(112140-05)	
F017R	F017W	1
F032R	F032W	3
F033R	F033W	3
F143R	F143W	3
F151R	F151W	1
F155R	F155W	1
F156R	F156W	1
F158R	F158W	2
F186R	F186W	1
F190R	F190W	1



### REAR REFRACTORY

<u>RED</u>	<u>IVORY</u>	<u>QTY</u>
FULL	FULL	7
(112140-01)	(112140-05)	
F017R	F017W	2
F032R	F032W	6
F033R	F033W	4
F152R	F152W	2
F154R	F154W	2
F157R	F157W	2



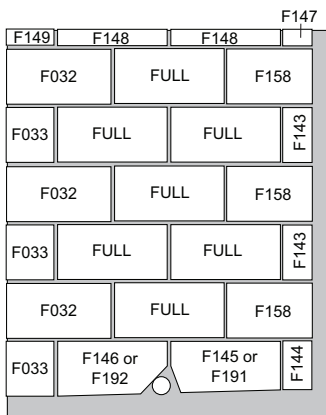
### RIGHT REFRACTORY

<u>RED</u>	<u>IVORY</u>	<u>QTY</u>
FULL	FULL	8
(112140-01)	(112140-05)	
F017R	F017W	1
F032R	F032W	3
F033R	F033W	3
F143R	F143W	3
F151R	F151W	1
F155R	F155W	1
F156R	F156W	1
F158R	F158W	2
F186R	F186W	1
F190R	F190W	1

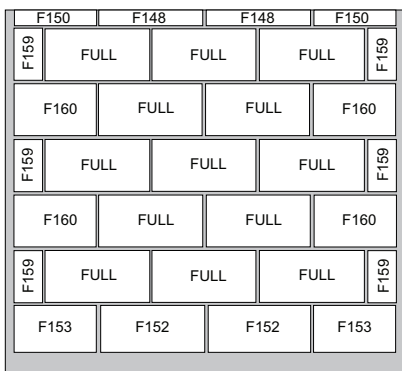
# INSTALLATION

Continued

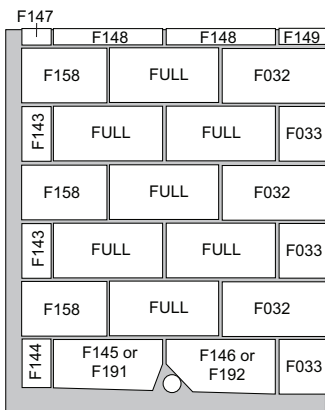
## 50" FULL STACKED BRICK MATRIX



LEFT REFRACTORY		
RED	IVORY	QTY
FULL (112140-01)	FULL (112140-05)	7
F032R	F032W	3
F033R	F033W	3
F143R	F143W	2
F144R	F144W	1
F145R	F145W	1
F146R	F146W	1
F147R	F147W	1
F148R	F148W	2
F149R	F149W	1
F158R	F158W	3
F191R	F191W	1
F192R	F191W	1



REAR REFRACTORY		
RED	IVORY	QTY
FULL (112140-01)	FULL (112140-05)	13
F148R	F148W	2
F150R	F150W	2
F152R	F152W	2
F153R	F153W	2
F159R	F159W	6
F160R	F160W	4

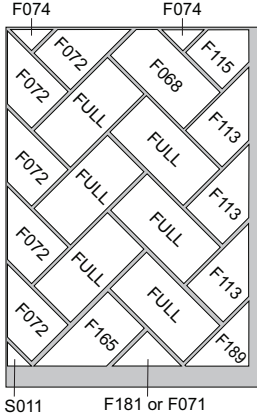


RIGHT REFRACTORY		
RED	IVORY	QTY
FULL (112140-01)	FULL (112140-05)	7
F032R	F032W	3
F033R	F033W	3
F143R	F143W	2
F144R	F144W	1
F145R	F145W	1
F146R	F146W	1
F147R	F147W	1
F148R	F148W	2
F149R	F149W	1
F158R	F158W	3
F191R	F191W	1
F192R	F192W	1

# INSTALLATION

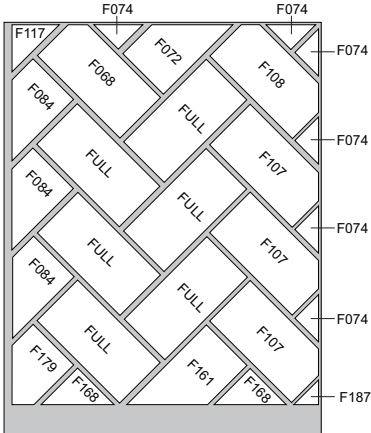
Continued

## 36" FULL HERRINGBONE BRICK MATRIX



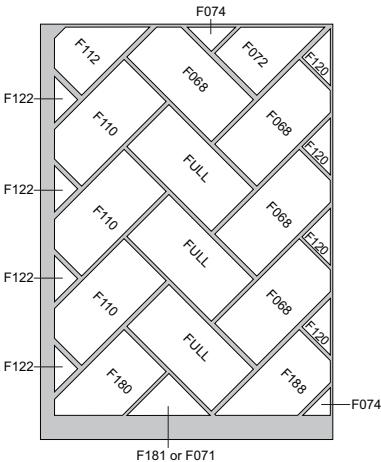
### LEFT REFRACTORY

<u>RED</u>	<u>IVORY</u>	<u>QTY</u>
FULL	FULL	6
(112140-01)	(112140-05)	
F068R	F068W	1
F071R	F071W	1
F072R	F072W	5
F074R	F074W	2
F113R	F113W	3
F115R	F115W	1
F165R	F165W	1
F181R	F181W	1
F189R	F189W	1
S011R	S011W	1



### REAR REFRACTORY

<u>RED</u>	<u>IVORY</u>	<u>QTY</u>
FULL	FULL	6
(112140-01)	(112140-05)	
F068R	F068W	1
F072R	F072W	1
F074R	F074W	6
F084R	F084W	3
F107R	F107W	3
F108R	F108W	1
F117R	F117W	1
F161R	F161W	1
F168R	F168W	2
F179R	F179W	1
F187R	F187W	1



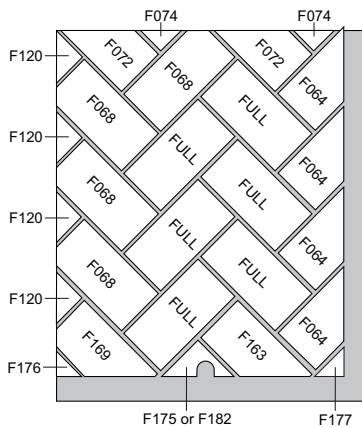
### RIGHT REFRACTORY

<u>RED</u>	<u>IVORY</u>	<u>QTY</u>
FULL	FULL	3
(112140-01)	(112140-05)	
F068R	F068W	4
F071R	F071W	1
F072R	F072W	1
F074R	F074W	2
F110R	F110W	3
F112R	F112W	1
F120R	F120W	4
F122R	F122W	4
F180R	F180W	1
F181R	F181W	1
F188R	F188W	1

# INSTALLATION

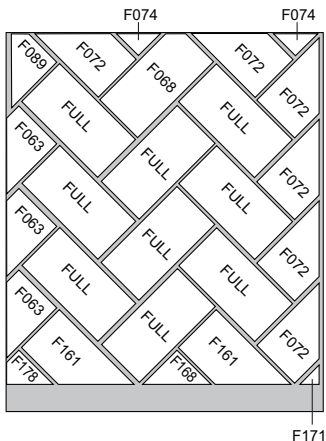
Continued

## 42" FULL HERRINGBONE BRICK MATRIX



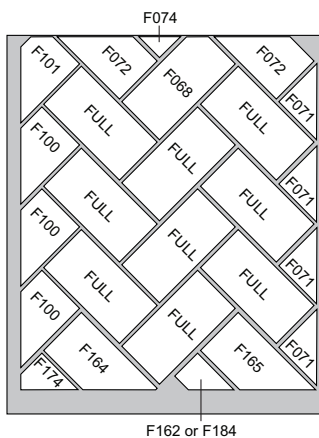
### LEFT REFRACTORY

<u>RED</u>	<u>IVORY</u>	<u>QTY</u>
FULL (112140-01)	FULL (112140-05)	6
F064R	F064W	4
F068R	F068W	4
F072R	F072W	2
F074R	F074W	2
F120R	F120W	4
F163R	F163W	1
F169R	F169W	1
F175R	F175W	1
F176R	F176W	1
F177R	F177W	1
F182R	F182W	1



### REAR REFRACTORY

<u>RED</u>	<u>IVORY</u>	<u>QTY</u>
FULL (112140-01)	FULL (112140-05)	9
F063R	F063W	3
F068R	F068W	1
F072R	F072W	6
F074R	F074W	2
F089R	F089W	1
F161R	F161W	2
F168R	F168W	1
F171R	F171W	1
F178R	F178W	1



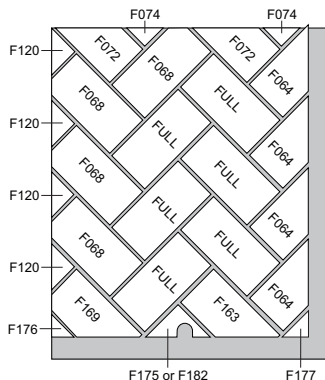
### RIGHT REFRACTORY

<u>RED</u>	<u>IVORY</u>	<u>QTY</u>
FULL (112140-01)	FULL (112140-05)	9
F071R	F071W	4
F068R	F068W	1
F072R	F072W	2
F074R	F074W	1
F100R	F100W	3
F101R	F101W	1
F162R	F162W	1
F164R	F164W	1
F165R	F165W	1
F174R	F174W	1

# INSTALLATION

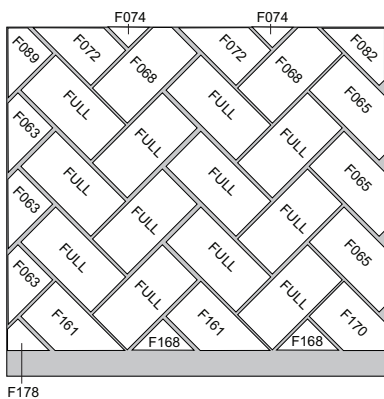
Continued

## 50" FULL HERRINGBONE BRICK MATRIX



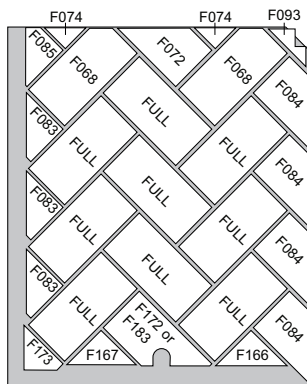
### LEFT REFRACTORY

<u>RED</u>	<u>IVORY</u>	<u>QTY</u>
FULL (112140-01)	FULL (112140-05)	6
F064R	F064W	4
F068R	F068W	4
F072R	F072W	2
F074R	F074W	2
F120R	F120W	4
F163R	F163W	1
F169R	F169W	1
F175R	F175W	1
F176R	F176W	1
F177R	F177W	1
F182R	F182W	1



### REAR REFRACTORY

<u>RED</u>	<u>IVORY</u>	<u>QTY</u>
FULL (112140-01)	FULL (112140-05)	12
F063R	F063W	3
F065R	F065W	3
F068R	F068W	2
F072R	F072W	2
F074R	F074W	2
F082R	F082W	1
F089R	F089W	1
F161R	F161W	2
F168R	F168W	2
F170R	F170W	1
F178R	F178W	1



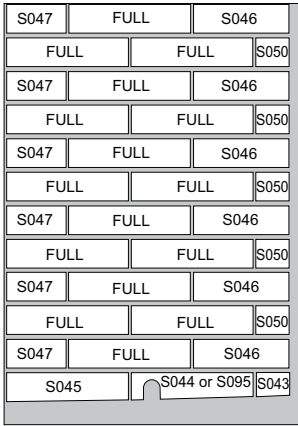
### RIGHT REFRACTORY

<u>RED</u>	<u>IVORY</u>	<u>QTY</u>
FULL (112140-01)	FULL (112140-05)	9
F068R	F068W	2
F072R	F072W	1
F074R	F074W	2
F083R	F083W	3
F084R	F084W	4
F085R	F085W	1
F093R	F093W	1
F166R	F166W	1
F167R	F167W	1
F172R	F172W	1
F173R	F173W	1
F183R	F183W	1

# INSTALLATION

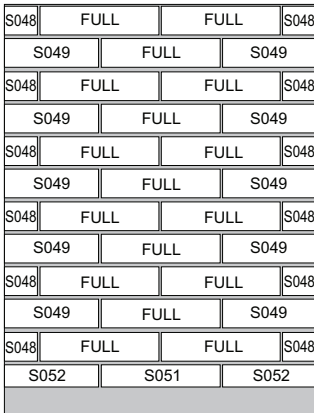
*Continued*

## 36" SPLIT STACKED BRICK MATRIX



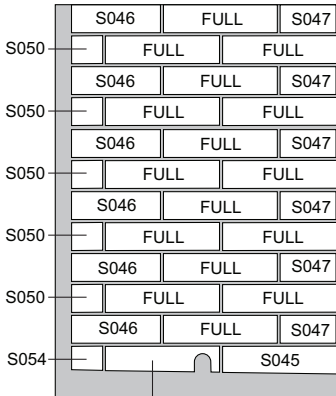
### LEFT REFRACTORY

<u>RED</u>	<u>IVORY</u>	<u>QTY</u>
FULL	FULL	16
(112140-02) (112140-06)		
S043R	S043W	1
S044R	S044W	1
S045R	S045W	1
S046R	S046W	6
S047R	S047W	6
S050R	S050W	5
S095R	S095W	1



### REAR REFRACTORY

<u>RED</u>	<u>IVORY</u>	<u>QTY</u>
FULL	FULL	17
(112140-02) (112140-06)		
S048R	S048W	12
S049R	S049W	10
S051R	S051W	1
S052R	S052W	2



### RIGHT REFRACTORY

<u>RED</u>	<u>IVORY</u>	<u>QTY</u>
FULL	FULL	16
(112140-02) (112140-06)		
S044R	S044W	1
S045R	S045W	1
S046R	S046W	6
S047R	S047W	6
S050R	S050W	5
S054R	S054W	1
S095R	S095W	1

S044 or S095

# INSTALLATION

Continued

## 42" SPLIT STACKED BRICK MATRIX

S077	FULL	FULL		S050
S076	FULL	S046		
S077	FULL	FULL		S050
S076	FULL	S046		
S077	FULL	FULL		S050
S076	FULL	S046		
S077	FULL	FULL		S050
S076	FULL	S046		
S077	FULL	FULL		S050
S076	FULL	S046		
S077	FULL	FULL		S050
S076	FULL	S046		
S077	FULL	FULL		S050
S076		S045 or S081	S080	

**LEFT REFRACTORY**

<u>RED</u>	<u>IVORY</u>	<u>QTY</u>
FULL (112140-02)	FULL (112140-06)	17
S045R	S045W	1
S046R	S046W	5
S050R	S050W	6
S076R	S076W	6
S077R	S077W	6
S080R	S080W	1
S081R	S081W	1

S076	FULL	S076	
S077	FULL	FULL	S077
S076	FULL	S076	
S077	FULL	FULL	S077
S076	FULL	S076	
S077	FULL	FULL	S077
S076	FULL	S076	
S077	FULL	FULL	S077
S076	FULL	S076	
S077	FULL	FULL	S077
S076	FULL	S076	
S078	S051	S051	S078

**REAR REFRACTORY**

<u>RED</u>	<u>IVORY</u>	<u>QTY</u>
FULL (112140-02)	FULL (112140-06)	16
S051R	S051W	2
S076R	S076W	12
S077R	S077W	10
S078R	S078W	2

S050	FULL	FULL	S077
S046	FULL	S076	
S050	FULL	FULL	S077
S046	FULL	S076	
S050	FULL	FULL	S077
S046	FULL	S076	
S050	FULL	FULL	S077
S046	FULL	S076	
S050	FULL	FULL	S077
S046	FULL	S076	
S050	FULL	FULL	S077
S046	FULL	S076	
S050	FULL	FULL	S077
S082	S045 or S081	S076	

**RIGHT REFRACTORY**

<u>RED</u>	<u>IVORY</u>	<u>QTY</u>
FULL (112140-02)	FULL (112140-06)	17
S045R	S045W	1
S046R	S046W	5
S050R	S050W	6
S076R	S076W	6
S077R	S077W	6
S081R	S081W	1
S082R	S082W	1

# INSTALLATION

Continued

## 50" SPLIT STACKED BRICK MATRIX

S076	FULL	S046	
S077	FULL	FULL	S050
S076	FULL	S046	
S077	FULL	FULL	S050
S076	FULL	S046	
S077	FULL	FULL	S050
S076	FULL	S046	
S077	FULL	FULL	S050
S076	FULL	S046	
S077	FULL	FULL	S050
S076	FULL	S046	
S077	S045 or S096	S095	S043

### LEFT REFRACTORY

RED	IVORY	QTY
FULL	FULL	16
(112140-02)	(112140-06)	
S043R	S043W	1
S045R	S045W	1
S046R	S046W	6
S050R	S050W	5
S076R	S076W	6
S077R	S077W	6
S095R	S095W	1
S096R	S096W	1

S048	FULL	FULL	FULL	S048
S049	FULL	FULL	S049	
S048	FULL	FULL	FULL	S048
S049	FULL	FULL	S049	
S048	FULL	FULL	FULL	S048
S049	FULL	FULL	S049	
S048	FULL	FULL	FULL	S048
S049	FULL	FULL	S049	
S048	FULL	FULL	FULL	S048
S049	FULL	FULL	S049	
S048	FULL	FULL	FULL	S048
S049	FULL	FULL	S049	
S048	FULL	FULL	FULL	S048
S052	S051	S051	S052	

### REAR REFRACTORY

RED	IVORY	QTY
FULL	FULL	28
(112140-02)	(112140-06)	
S048R	S048W	12
S049R	S049W	10
S051R	S051W	2
S052R	S052W	2

S046	FULL	S076	
S050	FULL	FULL	S077
S046	FULL	S076	
S050	FULL	FULL	S077
S046	FULL	S076	
S050	FULL	FULL	S077
S046	FULL	S076	
S050	FULL	FULL	S077
S046	FULL	S076	
S050	FULL	FULL	S077
S046	FULL	S076	
S054	S095	S045 or S096	S077

### RIGHT REFRACTORY

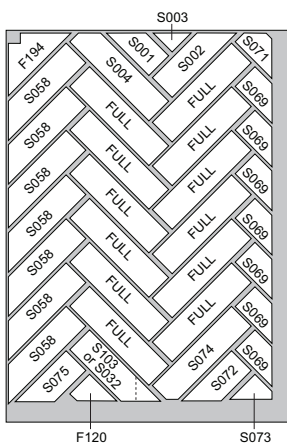
RED	IVORY	QTY
FULL	FULL	16
(112140-02)	(112140-06)	
S045R	S045W	1
S046R	S046W	6
S050R	S050W	5
S054R	S054W	1
S076R	S076W	6
S077R	S077W	6
S095R	S095W	1
S096R	S096W	1



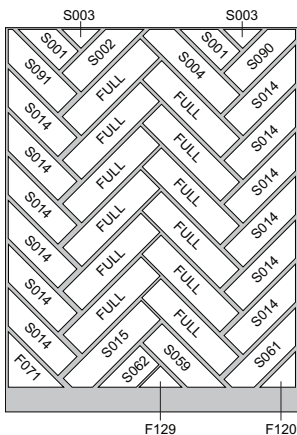
# INSTALLATION

*Continued*

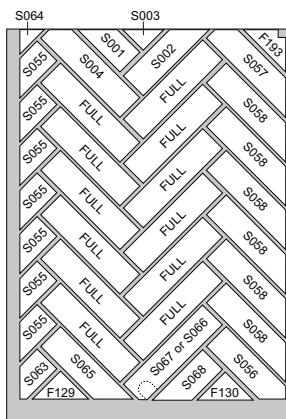
## 36" SPLIT HERRINGBONE BRICK MATRIX



LEFT REFRACTORY		
RED	IVORY	QTY
FULL	FULL	12
(112140-02)	(112140-06)	
S001R	S001W	1
S002R	S002W	1
S003R	S003W	1
S004R	S004W	1
S032R	S032W	1
S058R	S058W	7
S069R	S069W	7
S071R	S071W	1
S072R	S072W	1
S073R	S073W	1
S074R	S074W	1
S075R	S075W	1
S103R	S103W	1
F120R	F120W	1
F194R	F194W	1



REAR REFRACTORY		
RED	IVORY	QTY
FULL	FULL	12
(112140-02)	(112140-06)	
S001R	S001W	2
S002R	S002W	1
S003R	S003W	2
S004R	S004W	1
S014R	S014W	12
S015R	S015W	1
S059R	S059W	1
S061R	S061W	1
S062R	S062W	1
S090R	S090W	1
S091R	S091W	1
F071R	F071W	1
F120R	F120W	1
F129R	F129W	1

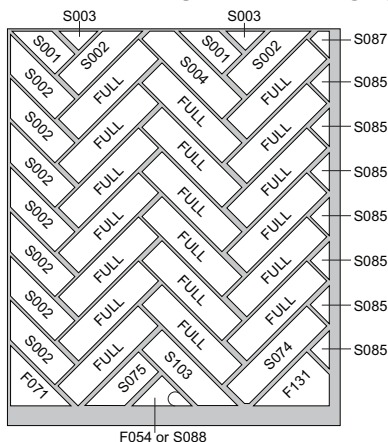


RIGHT REFRACTORY		
RED	IVORY	QTY
FULL	FULL	12
(112140-02)	(112140-06)	
S001R	S001W	1
S002R	S002W	1
S003R	S003W	1
S004R	S004W	1
S055R	S055W	7
S056R	S056W	1
S057R	S057W	1
S058R	S058W	6
S063R	S063W	1
S064R	S064W	1
S065R	S065W	1
S066R	S066W	1
S067R	S067W	1
S068R	S068W	1
F129R	F129W	1
F130R	F130W	1
F193R	F193W	1

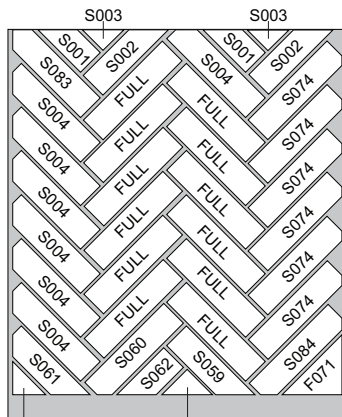
# INSTALLATION

Continued

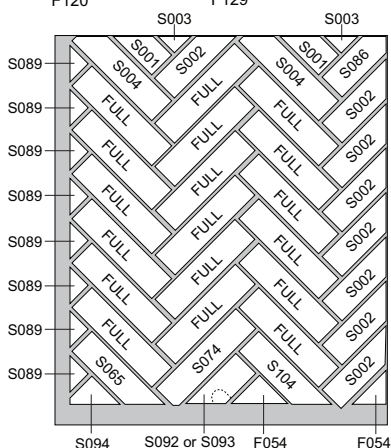
## 42" SPLIT HERRINGBONE BRICK MATRIX



LEFT REFRACTORY		
RED	IVORY	QTY
FULL	FULL	19
(112140-02)	(112140-06)	
S001R	S001W	2
S002R	S002W	9
S003R	S003W	2
S004R	S004W	1
S054R	S054W	1
S074R	S074W	1
S075R	S075W	1
S085R	S085W	7
S087R	S087W	1
S088R	S088W	1
S103R	S103W	1
F071R	F071W	1
F131R	F131W	1



REAR REFRACTORY		
RED	IVORY	QTY
FULL	FULL	12
(112140-02)	(112140-06)	
S001R	S001W	2
S002R	S002W	2
S003R	S003W	2
S004R	S004W	7
S059R	S059W	1
S060R	S060W	1
S061R	S061W	1
S062R	S062W	1
S074R	S074W	6
S083R	S083W	1
S084R	S084W	1
F071R	F071W	1
F120R	F120W	1
F129R	F129W	1

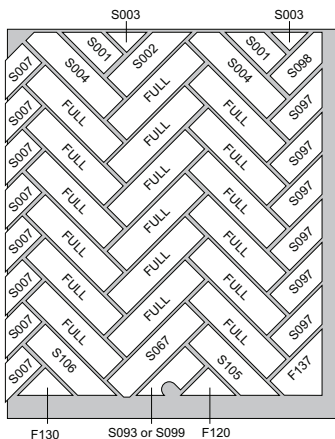


RIGHT REFRACTORY		
RED	IVORY	QTY
FULL	FULL	18
(112140-02)	(112140-06)	
S001R	S001W	2
S002R	S002W	8
S003R	S003W	2
S004R	S004W	2
S065R	S065W	1
S074R	S074W	1
S086R	S086W	1
S089R	S089W	8
S092R	S092W	1
S093R	S093W	1
S094R	S094W	1
S104R	S104W	1
F054R	F054W	2

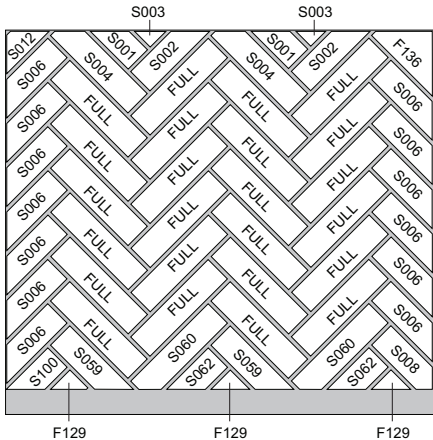
# INSTALLATION

Continued

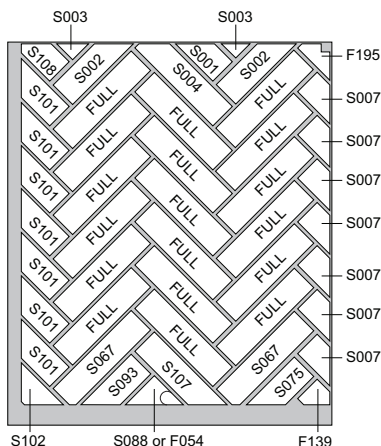
## 50" SPLIT HERRINGBONE BRICK MATRIX



LEFT REFRACTORY		
RED	IVORY	QTY
FULL	FULL	
(112140-02)	(112140-06)	18
S001R	S001W	2
S002R	S002W	1
S003R	S003W	2
S004R	S004W	2
S007R	S007W	8
S067R	S067W	1
S093R	S093W	1
S097R	S097W	6
S098R	S098W	1
S099R	S099W	1
S105R	S105W	1
S106R	S106W	1
F120R	F120W	1
F130R	F130W	1
F137R	F137W	1



REAR REFRACTORY		
RED	IVORY	QTY
FULL	FULL	
(112140-02)	(112140-06)	24
S001R	S001W	2
S002R	S002W	2
S003R	S003W	2
S004R	S004W	2
S006R	S006W	13
S008R	S008W	1
S012R	S012W	1
S059R	S059W	2
S060R	S060W	2
S062R	S062W	2
S100R	S100W	1
F129R	F129W	3
F136R	F136W	1



RIGHT REFRACTORY		
RED	IVORY	QTY
FULL	FULL	
(112140-02)	(112140-06)	18
S001R	S001W	1
S002R	S002W	2
S003R	S003W	2
S004R	S004W	1
S007R	S007W	7
S067R	S067W	2
S075R	S075W	1
S088R	S088W	1
S093R	S093W	1
S101R	S101W	7
S102R	S102W	1
S107R	S107W	1
S108R	S108W	1
F054R	F054W	1
F139R	F139W	1
F195R	F195W	1

# INSTALLATION

*Continued*

## GROUTING INSTRUCTIONS

Material provided:

1 or 2 - 10 lb. bags of cement (depending on model)

1 or 2 - 10 lb. bags of sand (depending on model)

Material required:

1 - Piping bag

1 - Joints striker

1 - Heavy duty mixing bucket

1 - Trowel

1. Moisten brick surface with damp sponge or spray bottle just prior to application. When bricks are wet, any excess grout mixture on bricks will easily wipe off.
2. In a heavy duty mixing bucket, pour seven (4-1/2) cups of water. Add 5 lbs. (half of a bag) of sand and 5 lbs (half of a bag) of cement. Mix together well using a power drill with mixing wand attachment to a yogurt like consistency, not adding enough water can lead to grout falling out after burning.
3. The overall length of piping bag should be about 16". If the bag is longer than 16", cut it down to size by removing end with larger opening. This will make the bag easier to handle.
4. Put 2 to 3 cups of grout mixture into piping bag making sure the smaller opening is downward and over a moist towel to avoid spilling. Place a wet towel over the bucket making sure it is directly on the surface of grout mixture. This will keep the mixture moist and it will not dry out before use.
5. Begin grouting by first doing a "Filler Pass". This is done by filling the joint about 3/4 full with grout mixture. It is important to work with only 6 bricks at a time so grout doesn't have time to set up before striking.
6. Complete a "Finishing Pass" around 6 bricks you just put filler pass around. This is done by slowly filling in remainder of the joint with a thick amount of grout mixture. Mixture should be a little higher than the brick surface.
7. Using a trowel, remove excess grout mix-

ture by moving trowel in the direction of the joint. Grout mixture in the joint should now be flush with brick surface. If not enough grout is applied into each space, grout may fall out after burning.

8. Using a joint striker, force grout mixture into joint and sweep back and forth until grout is smooth and round. If grout becomes too shallow, add more grout mixture with piping bag and strike again.
9. Continue procedure around each group of 6 bricks until an entire panel is finished.
10. Using trowel, scrape in direction of joints to remove any grout that may have collected around bricks during striking. If desired, take a moist sponge and lightly sweep over bricks to remove any grout that may have gotten on bricks. **DO NOT PRESS HARD OR RUB IN A CIRCULAR MOTION.** This will press the grout into brick and turn brick a different color.

**Allow 72 hours before operating fireplace.**



**Figure 16 - Grouting Brick**

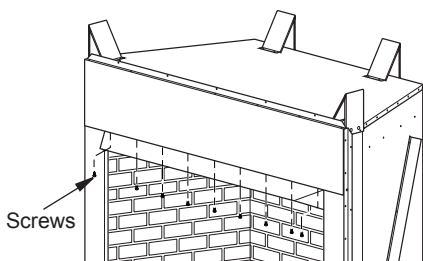
## INSTALLING FIREPLACE HOOD AND SCREEN

1. Attach hood to firebox using screws provided (see Figure 17, page 29).
2. Mount screen rod brackets on left and right side of smoke shelf with #8 x 1/2" screws provided (see Figure 18, page 29).
3. Slide round end of screen rod into rings at top of screen. Attach one push-on nut to end of rod before attaching last ring of screen.
4. Insert round end of rod into rod bracket on left side of fireplace.

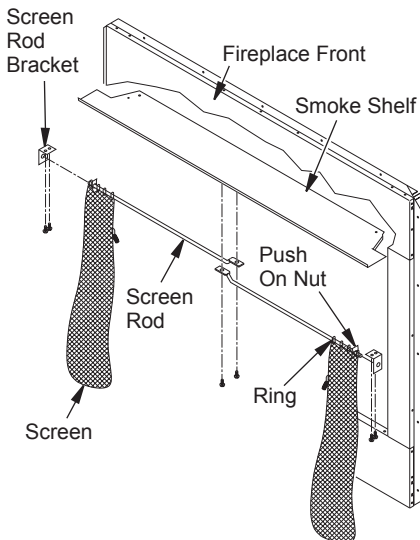
## INSTALLATION

### Continued

5. Mount flat end of screen rod with #10 x 5/8" to center of smoke shelf (see Figure 18).
6. Install other screen rod in same manner.



**Figure 17 - Screw and Hood Placement**



**Figure 18 - Installing Fireplace Screen**

## TECHNICAL SERVICE

You may have further questions about installation, operation, or troubleshooting. If so, contact FMI PRODUCTS, LLC at 1-866-328-4537.

When calling, please have your model and serial numbers of your firebox ready.

You can also visit FMI PRODUCTS, LLC's web site at [www.fmiproducts.com](http://www.fmiproducts.com).

## REPLACEMENT PARTS

*Note: Use only original replacement parts. This will protect your warranty coverage for parts replaced under warranty.*

Contact authorized dealers of this product. If they can't supply original replacement part(s), call FMI PRODUCTS, LLC at 1-866-328-4537.

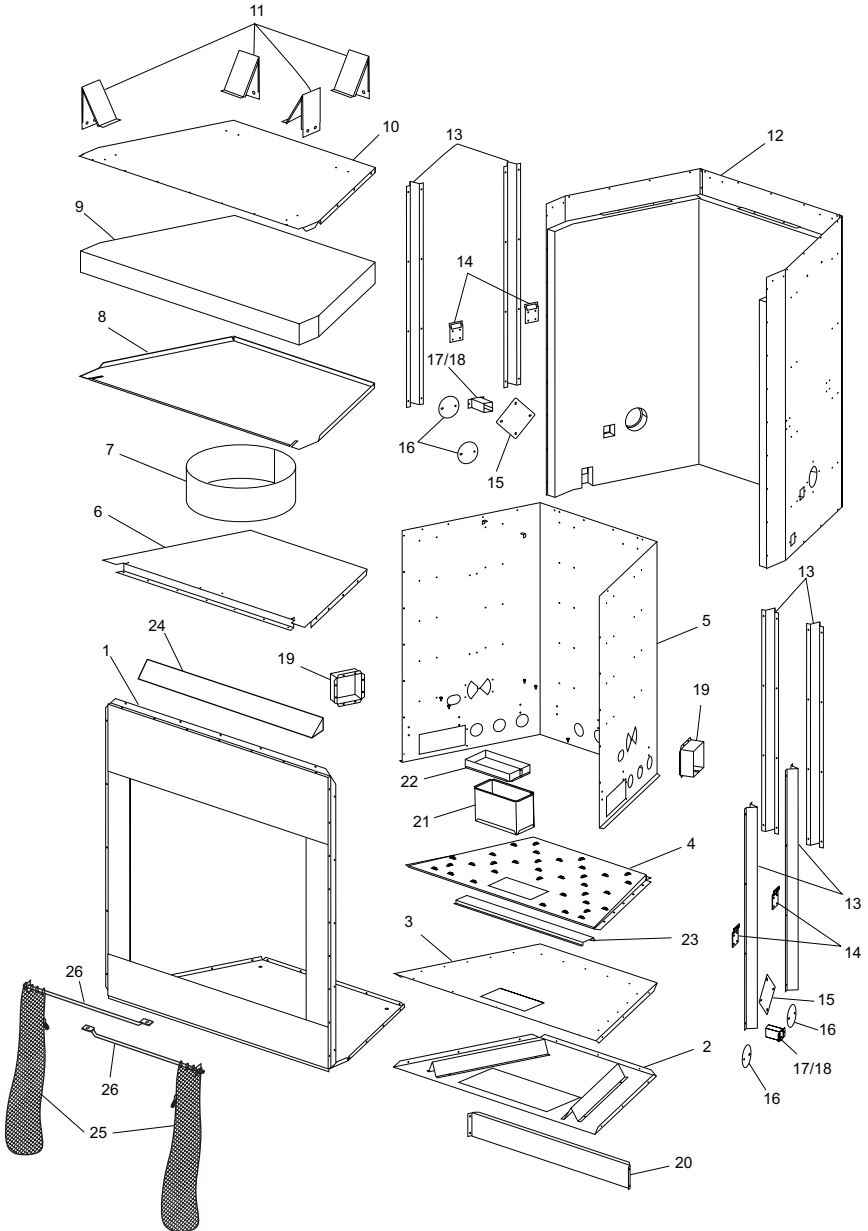
When calling FMI PRODUCTS, LLC, have ready

- your name
- your address
- model and serial numbers of your firebox
- how firebox was malfunctioning
- type of gas used (propane/LP or natural gas)
- purchase date

Usually, we will ask you to return the part to the factory.

# PARTS

MODELS (V)UM36(SR,SI,HR,HI), VCM-36U, (V)UM42(SR,SI,HR,HI), VCM-42U,  
(V)UM50(SR,SI,HR,HI), VCM-50U



## PARTS

This list contains replaceable parts used in your firebox. When ordering parts, follow the instructions listed under Replacement Parts on page 29 of this manual.

KEY NO.	PART NO.	DESCRIPTION	(V)UM36, VCM-36U (V)UM42, VCM-42U (V)UM50, VCM-50U			QTY.
1	**	Face Assembly	•	•	•	1
2	**	Firebox Bottom Assembly	•	•	•	1
3	**	Firebox Bottom	•	•	•	1
4	120826-01	Hearth Brick Panel, 36"	•			1
	120826-02	Hearth Brick Panel, 42"		•		1
	120826-03	Hearth Brick Panel, 50"			•	1
5	**	Firebox Surround	•	•	•	1
6	**	Firebox Top	•	•	•	1
7	**	Insulation Pan Support	•	•	•	1
8	**	Insulation Pan	•	•	•	1
9	**	Top Insulation	•	•	•	1
10	110454-03	Fireplace Top, 36"	•			1
	110454-02	Fireplace Top, 42"		•		1
	110454-01	Fireplace Top, 50"			•	1
11	23490SA	Standoff	•	•	•	4
12	**	Fireplace Surround Assembly	•	•	•	1
13	109720-02	Clearance Spacer	•	•	•	6
14	117891-01	Fireplace Handle Bracket	•	•	•	4
15	20042	Outside Air Cover Plate	•	•	•	2
16	21171	Gas Conduit Cover	•	•	•	4
17	109752-01	Conduit One	•	•	•	2
18	109752-02	Conduit Two	•	•	•	2
19	20106	Nailing Strap	•	•	•	6
20	**	Heat Shield Support	•	•	•	1
21	123298-01	Ash Box Assembly	•	•	•	1
22	**	Ash Box Ring	•	•	•	1
23	**	Hearth Support Brace	•	•	•	1
24	109511-01	Hood			•	1
	109511-02	Hood		•		1
	109511-03	Hood	•			1
25	109457-01	Screen	•			2
	109457-02	Screen		•		2
	109457-03	Screen			•	2
26	20806	Screen Rod	•			2
	110146-02	Screen Rod		•		2
	110146-03	Screen Rod			•	2
<b>PARTS AVAILABLE NOT SHOWN</b>						
	see page 26	Brick Panel Assemblies with Brick Housings (1 each, right, left, rear)	•	•	•	1

\*\* Not a field replaceable part.

## PARTS

**MODELS (V)UM36(SR,SI,HR,HI), (V)UM42(SR,SI,HR,HI), (V)UM50(SR,SI,HR,HI), MK-36(SS,SH)-(R)(I), MK-42(SH,SS)-(R)(I), MK-50(SH,SS)-(R)(I)**

This list contains replaceable parts used in your firebox. When ordering parts, follow the instructions listed under Replacement Parts on page 29 of this manual.

**All parts are Housing Panel Assemblies.  
For Brick part numbers see pages 15 thru 27.**

PART NO.	DESCRIPTION							QTY.
		(V)UM36H(R)(I)	(V)UM36S(R)(I)	(V)UM42H(R)(I)	(V)UM42S(R)(I)	(V)UM50H(R)(I)	(V)UM50S(R)(I)	
122317-02	36" Full Stack Left		•					1
122319-02	42" Full Stack Left				•			1
122321-02	50" Full Stack Left						•	1
122323-02	36" Full Herringbone Left	•						1
122327-02	42" Full Herringbone Left			•				1
122327-02	50" Full Herringbone Left					•		1
122317-01	36" Full Stack Right		•					1
122319-01	42" Full Stack Right				•			1
122321-01	50" Full Stack Right						•	1
122323-01	36" Full Herringbone Right	•						1
122325-01	42" Full Herringbone Right			•				1
122327-01	50" Full Herringbone Right					•		1
122354-01	36" Full Stack Rear		•					1
122354-02	42" Full Stack Rear				•			1
122354-03	50" Full Stack Rear						•	1
122356-01	36" Full Herringbone Rear	•						1
122356-02	42" Full Herringbone Rear			•				1
122356-03	50" Full Herringbone Rear						•	1

PART NO.	DESCRIPTION							QTY.
		MK-36SH-(R)(I)	MK-36SS-(R)(I)	MK-42SH-(R)(I)	MK-42SS-(R)(I)	MK-50SH-(R)(I)	MK-50SS-(R)(I)	
120842-01	36" Split Stack Left		•					1
120842-02	42" Split Stack Left				•			1
120842-03	50" Split Stack Left						•	1
120845-01	36" Split Herringbone Left	•						1
120845-02	42" Split Herringbone Left			•				1
120845-03	50" Split Herringbone Left					•		1
120843-01	36" Split Stack Right		•					1
120843-02	42" Split Stack Right				•			1
120843-03	50" Split Stack Right						•	1
120846-01	36" Split Herringbone Right	•						1
120846-02	42" Split Herringbone Right			•				1
120846-03	50" Split Herringbone Right					•		1
120844-01	36" Split Stack Rear		•					1
120844-02	42" Split Stack Rear				•			1
120844-03	50" Split Stack Rear						•	1
120847-01	36" Split Herringbone Rear	•						1
120847-02	42" Split Herringbone Rear			•				1
120847-03	50" Split Herringbone Rear						•	1









# WARRANTY

## KEEP THIS WARRANTY

Model (located on product or identification tag) \_\_\_\_\_

Serial No. (located on product or identification tag) \_\_\_\_\_

Date Purchased \_\_\_\_\_

Keep receipt for warranty verification.

## FMI PRODUCTS, LLC LIMITED WARRANTIES

### New Products

**Standard Warranty:** FMI PRODUCTS, LLC warrants this new product and any parts thereof to be free from defects in material and workmanship for a period of four (4) years from the date of first purchase from an authorized dealer provided the product has been installed, maintained and operated in accordance with FMI PRODUCTS, LLC's warnings and instructions.

For products purchased for commercial, industrial or rental usage, this warranty is limited to 90 days from the date of first purchase.

### Factory Reconditioned Products

**Limited Warranty:** FMI PRODUCTS, LLC warrants factory reconditioned products and any parts thereof to be free from defects in material and workmanship for 30 days from the date of first purchase from an authorized dealer provided the product has been installed, maintained and operated in accordance with FMI PRODUCTS, LLC's warnings and instructions.

### Terms Common to All Warranties

The following terms apply to all of the above warranties:

Always specify model number and serial number when contacting the manufacturer. To make a claim under this warranty the bill of sale or other proof of purchase must be presented.

This warranty is extended only to the original retail purchaser when purchased from an authorized dealer, and only when installed by a qualified installer in accordance with all local codes and instructions furnished with this product.

This warranty covers the cost of part(s) required to restore this product to proper operating condition and an allowance for labor when provided by a FMI PRODUCTS, LLC Authorized Service Center or a provider approved by FMI PRODUCTS, LLC. Warranty parts must be obtained through authorized dealers of this product and/or FMI PRODUCTS, LLC who will provide original factory replacement parts. Failure to use original factory replacement parts voids this warranty.

Travel, handling, transportation, diagnostic, material, labor and incidental costs associated with warranty repairs, unless expressly covered by this warranty, are not reimbursable under this warranty and are the responsibility of the owner.

Excluded from this warranty are products or parts that fail or become damaged due to misuse, accidents, improper installation, lack of proper maintenance, tampering, or alteration(s).

This is FMI PRODUCTS, LLC's exclusive warranty, and to the full extent allowed by law; this express warranty excludes any and all other warranties, express or implied, written or verbal and limits the duration of any and all implied warranties, including warranties of merchantability and fitness for a particular purpose to four (4) years on new products and 30 days on factory reconditioned products from the date of first purchase. FMI PRODUCTS, LLC makes no other warranties regarding this product.

FMI PRODUCTS, LLC's liability is limited to the purchase price of the product, and FMI PRODUCTS, LLC shall not be liable for any other damages whatsoever under any circumstances including indirect, incidental, or consequential damages.

Some states do not allow limitations on how long an implied warranty lasts or the exclusion or limitation of incidental or consequential damages, so the above limitation or exclusion may not apply to you.

This warranty gives you specific legal rights, and you may also have other rights which vary from state to state.

For information about this warranty contact:

  
**FMI PRODUCTS, LLC**  
2701 S. Harbor Blvd.  
Santa Ana, CA 92704  
1-866-328-4537  
[www.fmiproducts.com](http://www.fmiproducts.com)

122274-01  
Rev. G  
04/10