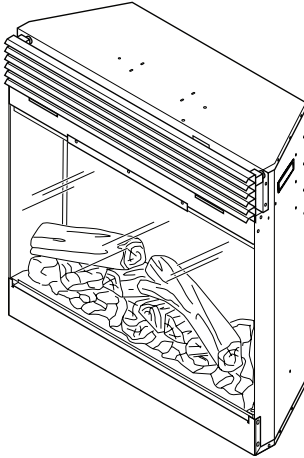




FMI PRODUCTS, LLC

**ELECTRIC FIREPLACE/INSERT MODELS CEF26-3 AND CEF26-3A
SAFETY INFORMATION AND INSTALLATION MANUAL**



Patent No. 7,219,456 B1

Read these instructions completely before beginning installation. Failure to follow them could cause a heater malfunction resulting in serious injury and/or property damage.

⚠ WARNING: All electric heaters have hot and arcing or sparking parts inside. Do not use it in areas where gasoline, paint or flammable liquids are or are stored.

⚠ WARNING: This heater is tested and listed for use only with the optional accessories listed in these instructions. Use of optional accessories not specifically tested for this heater could void the heater warranty and/or result in a safety hazard.

This fireplace meets the construction and safety standards of H.U.D. for application in manufactured homes when installed according to these instructions.

**INSTALLER: Leave this manual with the appliance.
CONSUMER: Retain this manual for future reference.**

TABLE OF CONTENTS

Safety	2	Operation	8
Listing Approvals	3	Technical Service	12
Product Dimension Specifications	3	Accessory	12
Product Identification	4	Wiring Diagram	12
Locating Fireplace	4	Troubleshooting	13
Unpacking and Testing Fireplace	5	Parts	14
Installation	6	Replacement Parts	15
Finishing	7	Warranty	Back Cover
Cleaning and Maintenance	8		

SAFETY

⚠ WARNING: Improper installation, adjustment, alteration, service or maintenance can cause injury or property damage. Refer to this manual. For assistance or additional information, consult a qualified installer.

⚠ CAUTION: Do not expose the heater to the elements (such as rain, etc).

This fireplace meets saltwater/freshwater marine application standards. Constructed from corrosion resistant materials and water resistant coated electrical components.

Do not place clothing or other flammable material on or near firebox. Never place any objects on the fireplace.

Carefully supervise young children when they are in the room with fireplace.

Fireplace becomes very hot when running. Keep children and adults away from hot surfaces to avoid burns or clothing ignition. Fireplace will remain hot for a time after shutdown. Allow surfaces to cool before touching.

Do not install fireplace directly on carpet or similar surface which may restrict air circulation beneath unit.

When using electrical heaters, basic precautions should always be followed to reduce the risk of fire, electric shock and injury to persons, including the following:

1. Read all instructions before using this heater.
2. Keep combustible materials, such as furniture, pillows, bedding, papers, clothes and curtains away from front of heater.
3. This heater is hot when in use. To avoid burns, do not let bare skin touch hot surfaces. The grill directly in front of heater outlet becomes hot during heater operation.
4. Extreme caution is necessary when any heater is used and whenever heater is left operating and unattended.
5. Always unplug heater when not in use.
6. Do not operate any heater with a damaged cord or plug or if heater malfunctions or has been dropped or damaged in any way. Return heater to authorized service facility for examination, electrical or mechanical adjustment or repair.
7. Do not use outdoors.
8. This heater is not intended for use in bathrooms, laundry areas and similar indoor locations. Never locate heater where it may fall into a bathtub or other water container.
9. Do not run cord under carpeting. Do not cover cord with throw rugs, runners or the like. Arrange cord away from traffic area and where it will not be tripped over.
10. To disconnect heater, turn controls to OFF before removing plug from outlet.

SAFETY

Continued

11. Do not insert or allow foreign objects to enter any ventilation or exhaust opening as this may cause an electric shock or fire or damage the heater.
12. To prevent possible fire, do not block air intakes in any manner. Do not use on soft surfaces, like a bed, where openings may become blocked.
13. Always use properly grounded fused and polarized outlets.
14. A heater has hot and arcing or sparking parts inside. Do not use it in areas where gasoline, paint or flammable liquids or vapors are used or stored.
15. Use this heater only as described in this manual. Any other use not recommended by the manufacturer may cause fire, electric shock or injury to persons.
16. Avoid the use of an extension cord because the extension cord may overheat and cause a risk of fire. However, if you have to use an extension cord, the cord should be No. 14 AWG minimum size and rated not less than 1875 WATTS.
17. Always use ground fault protection where required by electrical codes.
18. Always disconnect power before performing any cleaning, maintenance or relocation of heater.
19. To prevent a possible fire, do not burn wood or other materials in this heater.
20. To prevent electric shock or fire, always use a certified electrician should new circuits or outlets be required.
21. When transporting or storing heater, keep in a dry place.
22. Louvers get hot during operation. Open lower door using 2 hands at outer edges of door. Do not open in center.

LISTING APPROVALS

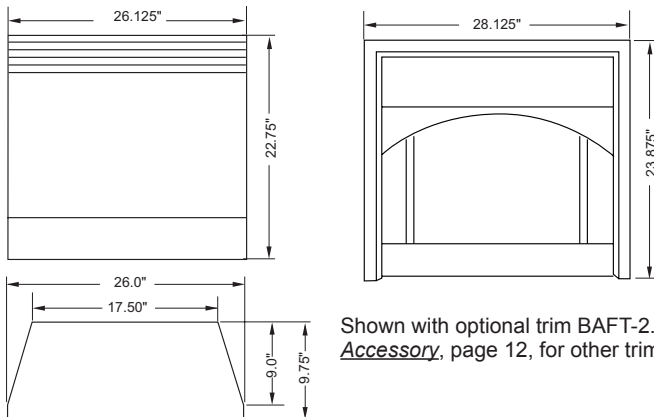
This heater has been tested in accordance with the CSA Standards for fixed and location-dedicated electric room heaters in the United States. All components are UL or CSA safety certified.

If you need assistance during installation, please contact your local dealer or the FMI PRODUCTS, LLC at 1-866-328-4537.

Description:	26" Fireplace/Insert
Voltage:	120
Watts:	1500
Amps:	15 Amp Grounded Circuit

Note: This heater must be electrically wired and grounded in accordance with local codes or, in the absence of local codes, with National Electric Code ANSI/NFPA 70-latest edition or the Canadian Electric Code, CSA C22.1 as appropriate.

PRODUCT DIMENSION SPECIFICATIONS



Shown with optional trim BAFT-2. See [Accessory](#), page 12, for other trim options

PRODUCT IDENTIFICATION

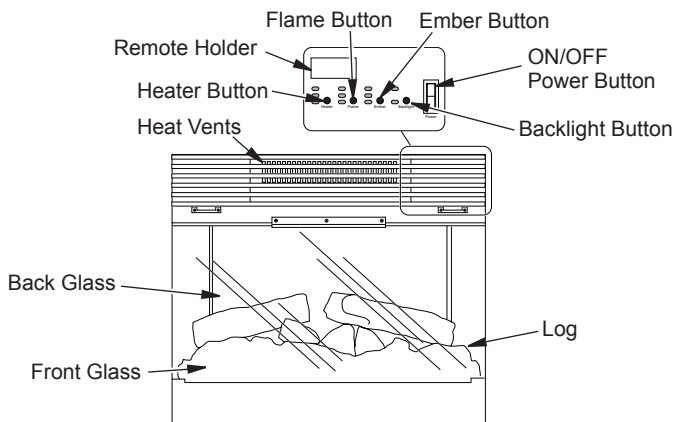


Figure 2 - Product Identification

LOCATING FIREPLACE

WARNING: Due to high temperatures, this heater should be located out of traffic. Keep combustible materials such as furniture, pillows, bedding, papers, clothes and curtains away from the front of the heater.

WARNING: Never locate this heater where it may fall into a bathtub or other water container.

NOTICE: Minimum and maximum clearances must be maintained at all times. Illustrations throughout these instructions reflect typical installations and are for design purposes only. Actual installations may vary slightly due to individual preferences.

WARNING: To prevent contact with sagging or loose insulation, the heater must not be installed against vapor barrier or exposed insulation. Localized overheating could occur and a fire could result.

CAUTION: Do not expose the heater to the elements (such as rain, etc.).

CAUTION: Wear gloves and safety glasses for protection during installation and maintenance.

Figure 3 illustrates a variety of ways the heater may be located in a room. The heater may be installed directly on the floor or raised on a hearth.

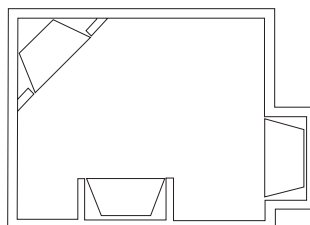


Figure 3 - Heater Locations

UNPACKING AND TESTING FIREPLACE

Carefully remove the unit from the box. Prior to permanently installing the unit, test to make sure the unit operates properly. To do this, plug the unit's power supply cord into a conveniently located 120-volt grounded outlet.

CAUTION; The unit's power supply cord must be connected to a properly grounded and protected 120-volt outlet. Always use ground fault protection where required by the electrical code.

WARNING: Do not operate the unit if it is damaged or has malfunctioned. If you suspect the unit is damaged, return the unit to an authorized service facility for examination, electrical or mechanical adjustment or repair.

FRAMING

Figure 4 shows a typical framing of this heater using combustible materials. All required clearances to combustibles must be adhered to. Header height is measured from the base of the heater.

Tools and building supplies required for installation:

- Saw
- Square
- Pliers
- Gloves
- Hammer
- Level
- Phillips screwdriver
- Surround
- Framing materials
- Electric drill/bits
- Tape measure
- Wall-finishing materials
- Caulking material

CAUTION: Provide adequate clearances around the air openings and adequate accessibility clearances for servicing and proper operations.

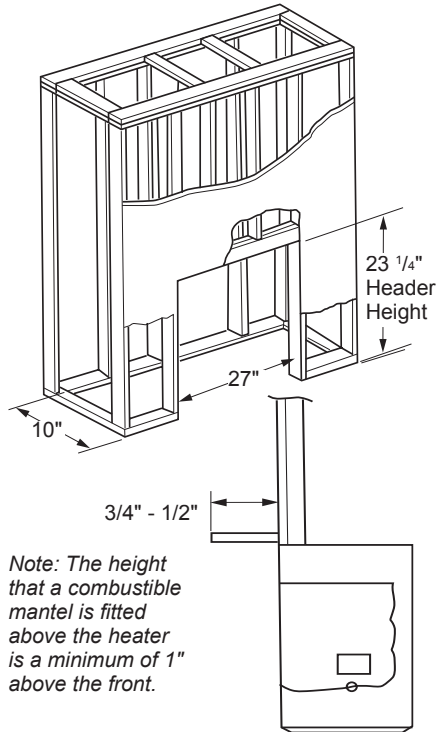


Figure 4 - Framing Heater for New Construction/Renovation

INSTALLATION

⚠ WARNING - RISK OF FIRE! The power cord must not be pinched or against a sharp edge. Secure cord to avoid tripping or snagging to reduce the risk of fire, electric shock or personal injury.

Do not run cord under carpeting. Do not cover cord with throw rugs, runners or the like. Arrange cord away from traffic areas and where it will not be tripped over.

⚠ WARNING - RISK OF FIRE! To prevent a possible fire, do not block air intake or exhaust in any manner. Do not use on soft surfaces where openings may become blocked.

⚠ WARNING - RISK OF FIRE! Do not blow or place insulation against the firebox.

⚠ WARNING: This heater is tested and listed for use only with the approved optional accessories. Use of optional accessories not specifically tested for this heater could void the heater warranty and/or result in a safety hazard.

⚠ WARNING: If the information in these instructions is not followed exactly, a fire or explosion may result causing property damage, personal injury or death.

Do not store or use gasoline or other flammable vapors in the vicinity of this or any other heater.

INSTALLING FIREPLACE

Select a suitable location that is not susceptible to moisture and is away from drapes, furniture and high traffic areas. *Note: Follow all national and local electrical codes. This insert can be installed into either an existing fireplace or as new construction/renovation.*

NOTICE: Never pick unit up by louvers. Louvers will bend.

Existing Fireplace Installation

1. Thoroughly clean out the existing fireplace and hearth area.
2. Seal all drafts, vents or ash clean-outs with fiberglass insulation. Seal the flue. Once sealed, close damper to stop debris from falling onto unit.
3. If existing fire box is susceptible to moisture, cap the top of the chimney flue to prevent infiltration of water. *Note: It is strongly advised that you hire a qualified professional to undertake this step in order to prevent personal injury. Once the flue is capped, the chimney is no longer suitable for wood burning. Note: Do not install this unit into a fireplace that is prone to dampness; the area of installation must be dry.*
4. Plan the power supply. If an existing grounded outlet is near the fireplace, the power cord can run along the front of the fireplace. If the cord is not long enough to reach the outlet, a grounded extension cord minimum AWG No. 14 and rated to a minimum of 1875 watts may be used. If you plan to cut or drill a hole in the existing fireplace for wiring, it is best to hire a professional to do this step in order to prevent personal injury. To reduce the risk of fire, do not run the power cord under rugs, carpets, etc. Arrange the power supply cord away from high traffic areas where it may pose a tripping hazard.

⚠ WARNING: The solid fuel/gas fireplace has been converted for use with an electric insert and cannot be used for original fuels unless all original parts have been replaced and the fireplace has been reapproved by the authority having jurisdiction.

INSTALLATION

Continued

New Construction or Renovation

1. Select a location located away from combustible materials such as curtains or drapes, furniture, bedding, paper, etc.
2. Place unit in selected location to see how it will look in the future.
3. Mark the desired location on the floor and store unit in a safe, dry and dust free location.
4. Frame in an opening leaving at least 1/4" (6 mm) around the edge of the unit. Any new wiring must be done in compliance with local and national codes and other applicable regulations in order to reduce the risk of fire, electric shock or other injuries. Therefore, it strongly recommended that you hire a professional to complete any such work.
5. Plan you power supply route. See step 4 of *Existing Fireplace Installation*, page 6.

Installing Insert

Once the site has been prepared, the fireplace insert can be installed.

1. Install trim onto front of unit.
2. Make sure power switch is in the OFF position.
3. Plug fireplace into a 15-amp/120 volt, grounded outlet.
4. Push fireplace insert so that the trim is against the finished mantle or wall surface.

NOTICE: When the front is installed it will cover the gap between the heater and framing, cabinet, finishing materials or existing fireplace.

FINISHING

Combustible Finishing Material: Materials made of or surfaced with wood, compressed paper, plant fibers, plastics or any material capable of igniting and burning, whether flame proofed or not, plastered or unplastered (this includes drywall).

Noncombustible Finishing Material: Materials which will not ignite and burn. Such materials are those consisting entirely of steel, iron, brick, tile, concrete, slate, glass or plasters or combinations thereof or have a fire rating of zero.

FINISHING CHECKLIST

- Power supply service must be completed prior to finishing to avoid reconstruction.
- Grills and air openings cannot be covered in any circumstances.

Note: The heater is a zero clearance fireplace and may be finished with combustible or non-combustible finishing materials.

When using paint or lacquer to finish the mantel, they must be heat resistant to prevent discoloration.



WARNING: Grills on this heater cannot, in any way, be covered as it may create a fire hazard.

OPERATION

The controls (see Figure 5) are located behind the hinged top louver panel. Louver panel will be hot during and immediately after operation. To open, pull gently on louver panel using 2 hands at outer edges of louver. Do not open in center of louver.

1. Plug in electric fireplace.
2. Turn on lighted power switch (see Figure 5).
3. Adjust Flame/Ember/Backlight/Heater to desired settings using the control pad on fireplace or remote control. Figure 7 shows fireplace settings available. Default settings are circled. Press control pad or remote control buttons once and release to adjust settings. *Note: When on, ember bed will lighten and darken automatically to simulate real embers.*

The heater is pre-set to the following temperatures:

High will shut off when room reaches approximately 86° F (30° C).

Medium will shut off when room reaches approximately 79° F (26° C).

Low will shut off when room reaches approximately 72° F (22° C).

Note: Fan on heater will continue to run for 5-7 seconds after heater has been turned off.

4. When using remote control, aim remote at sensor located in center of unit just above log set. **IMPORTANT:** This remote control must remain within 6 meters or 20 feet of the fireplace to be effective.
5. When power switch is turned off, fireplace settings go back to default (see Figure 7).

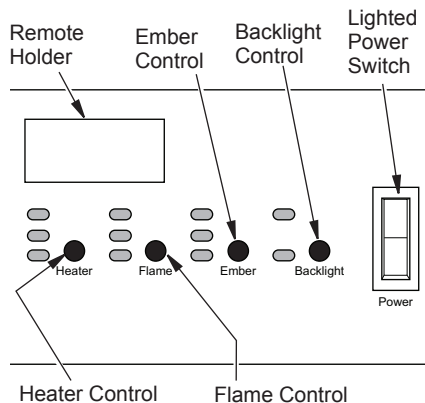


Figure 5 - Controls For Electric Fireplace

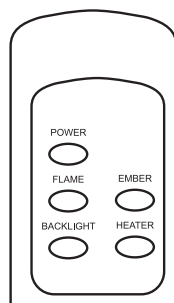


Figure 6 - Remote Control For Electric Fireplace

FLAME	Off	Low	Medium	High
EMBER	Off	Low	Medium	High
BACKLIGHT	Off	Low		High
HEATER	Off	Low	Medium	High

Figure 7 - Fireplace Settings (Default Settings are Circled)

CLEANING AND MAINTENANCE

WARNING: Always disconnect power and allow the heater to cool before performing any cleaning, maintenance or relocation of this heater. Turn controls to OFF and remove plug from outlet or turn off circuit breaker to heater.

CLEANING FIREBOX

1. Remove front trim if applicable.
2. With gloves and safety glasses in place, remove screws and bracket that hold front glass in place.
3. Carefully remove front glass (see Figure 8, page 9).
4. Using a brush vacuum attachment, gently clean compartment.

CLEANING AND MAINTENANCE *Continued*

5. After cleaning compartment, replace front glass, screw, bracket and trim. Reset circuit breaker.

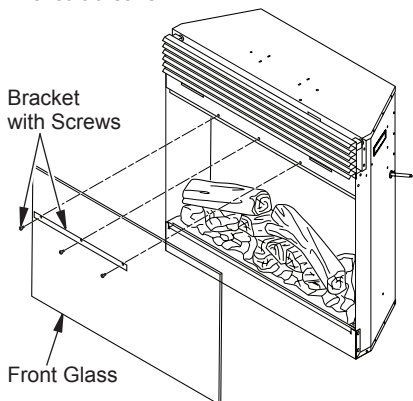


Figure 8 - Removing Bracket and Front Glass

REPLACING LOG

1. Remove front trim if applicable.
2. With gloves and safety glasses in place, remove screws and bracket holding front glass in place. Remove glass and set aside carefully (see Figure 8).
3. Remove screws from each side of log that holds log to log base and remove log (see Figure 9).
4. Replace new log using screws removed in step 3.
5. Replace front glass, bracket and screws.
6. Replace trim.

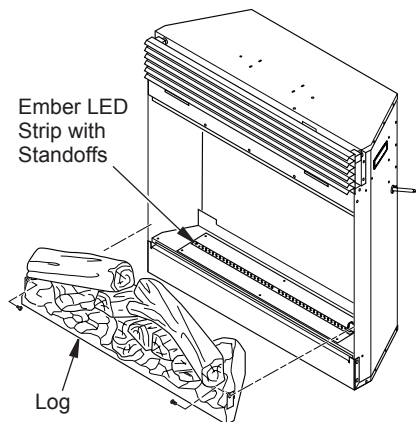


Figure 9 - Removing Log and Ember LED

REPLACING EMBER STRIP

1. Follow steps 1 through 3 under [Replacing Log](#).
2. Locate ember LED strip (see Figure 9). Disconnect wire (right side)
3. Remove ember LED strip by squeezing top of standoffs and discard.
4. Connect new ember LED strip using existing standoffs.
5. Reconnect wire to LED strip.
6. Follow steps 4 and 5 under [Replacing Log](#).

REPLACING HEATER/BLOWER

1. Remove screws from around top panel of firebox (see Figure 10).
2. There are several wires attached to the top panel. Carefully lift top panel.
3. Disconnect heater/blower wires from main circuit board.
4. Remove screws holding heater/blower to top panel (see Figure 10).
5. To remove heater from blower, remove 4 screws (2 per side).
6. Replace blower or heater. Replace screws removed in step 5 (see Figure 11).
7. Hold heater/blower in place against top panel, along with spacers if provided, and replace screws removed in step 4.
8. Reconnect wires to main circuit board (see [Wiring Diagram](#), page 12).
9. Replace top panel and screws.

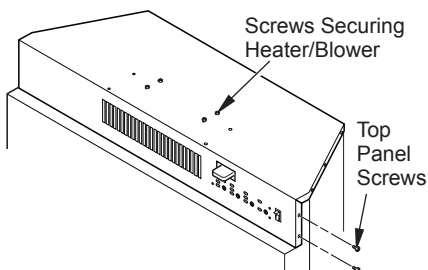


Figure 10 - Removing Top Panel and Heater/Blower

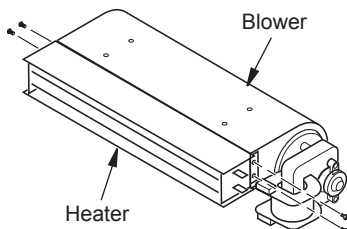


Figure 11 - Removing Heater from Blower

CLEANING AND MAINTENANCE

Continued

REPLACING TRANSFORMER

1. Follow steps 1 and 2 under [Replacing Heater/Blower](#), page 9.
2. Disconnect transformer wires from control board.
3. Remove screws from outside of firebox surround to remove transformer (see Figure 12).
4. Remove and discard transformer.
5. Place new transformer against inside of firebox surround and replace screws removed in step 3.
6. Reconnect transformer wires to control board (see [Wiring Diagram](#), page 12).
7. Replace top panel and screws.

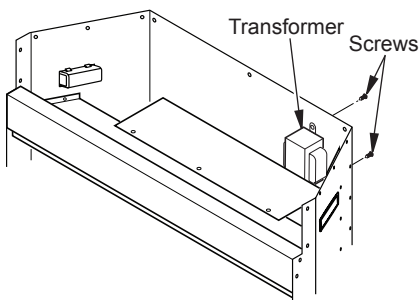


Figure 12 - Removing Transformer

REPLACING MAIN CONTROL BOARD

1. Follow steps 1 and 2 under [Replacing Heater/Blower](#), page 9.
2. Disconnect wires to main control board.
3. Squeeze top of standoffs to remove main control board and discard.

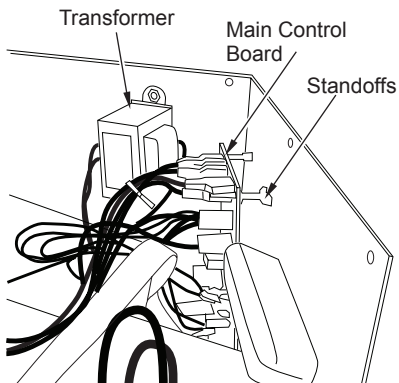


Figure 13- Control Board

4. Gently push new control board onto standoffs to install.
5. Reconnect wires to main control board (see [Wiring Diagram](#), page 12).
6. Replace top panel and screws.

REPLACING BACKLIGHT LED STRIP

1. Follow steps 1 and 2 under [Replacing Heater/Blower](#), page 9.
2. Disconnect wires from main control board.
3. Squeeze top of standoffs to remove backlight LED strip and discard.
4. Place new backlight LED strip onto standoffs and push gently.
5. Connect wires to main control board (see [Wiring Diagram](#), page 12).
6. Replace top panel and screws.

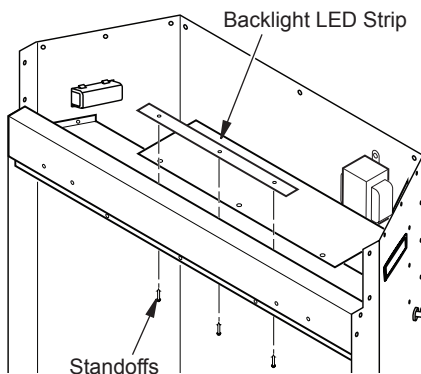


Figure 14 - Replacing Backlight LED Strip

REPLACING SETTINGS CONTROL BOARD

1. Follow steps 1 and 2 under [Replacing Heater/Blower](#), page 9.
2. Disconnect wires from main control board.
3. Remove screws from front of top panel to remove settings control board.
4. Place new settings control board into position making sure each control is aligned with slot in panel. Install using screws from step 3. DO NOT overtighten. This will damage control board.
5. Connect wires to main control board (see [Wiring Diagram](#), page 12).
6. Replace top panel and screws.

CLEANING AND MAINTENANCE

Continued

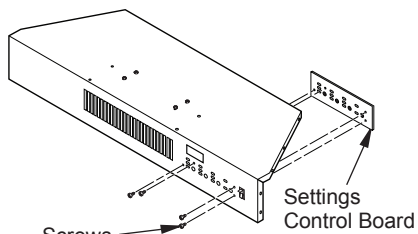


Figure 15 - Replacing Settings Control Board

REPLACING FLAME GENERATION LED

1. Remove trim if applicable.
2. Remove fireplace from mantel.
3. Follow steps 2 and 3 under [Replacing Log](#), page 9.
4. Remove screws from sides and back of bottom panel of firebox.
5. Gently lay unit on its back.
6. There are several wires attached to bottom panel. Carefully remove panel.
7. Disconnect wires from motor and LED drum assembly.
8. Remove screws from bottom panel to remove assembly.
9. If motor on assembly fails, remove cotter pin using pliers. Remove screws from motor and discard.
10. Install new motor. Replace screws and cotter pin.

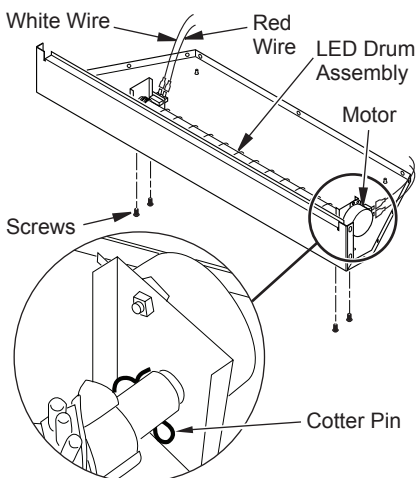


Figure 16 - Flame Generation LED Drum Assembly

11. Hold LED drum assembly in place on bottom panel and replace screws.
12. Reattach wires to motor and LED drum. *Note: LED drum wires are polarity sensitive and must be connected correctly. White wire plugs onto left terminal and red wire plugs onto right terminal. Motor wires can be connected to either terminal.*
13. Replace fireplace bottom panel. Set fireplace upright and replace screws.
14. Replace log, glass and bracket.
15. Reinstall fireplace and replace trim.

CLEANING OR REPLACING BACK SCREEN (GLASS)

1. The glass is cleaned in the factory during assembly. During shipment, installation, handling, etc. the glass surface may collect dust particles. These can be removed by buffing lightly with a clean damp cloth (water only). Glass should be completely dried with a lint free cloth or paper towel.
2. In the event of glass breakage, vacuum all remaining glass pieces with a shop vac. **DO NOT VACUUM WHILE PIECES ARE HOT.** Replace glass only with replacement part specifically for this heater. Never substitute material. Only fully tempered soda lime safety glass may be used on this heater.
3. To access glass to clean or replace, follow steps 1 and 7 under [Replacing Flame Generation LED](#). Set aside bottom panel.
4. Remove screws holding log base to unit. Carefully remove log base from unit.
5. Using gloves, gently remove glass panel by sliding it toward you.
6. Clean glass as instructed in step 1 or replace glass.
7. Using gloves, reinstall glass by gently sliding, smooth side toward fireplace front, into brackets on either side that hold glass in place.
8. Replace log base.
9. Follow steps 12 and 15 under [Replacing Flame Generation LED](#).

TECHNICAL SERVICE

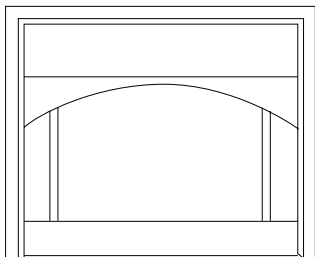
You may have further questions about installation, operation, or troubleshooting. If so, contact FMI PRODUCTS, LLC at 1-866-328-4537. When calling please have your model and serial numbers of your heater ready. This informa-

tion can be found on the fireplace's data plate located behind the control panel door.

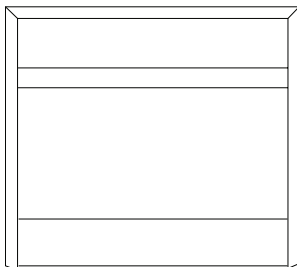
You can also visit our web site at www.fmiproducts.com.

ACCESSORY

FIREPLACE FRONT TRIM



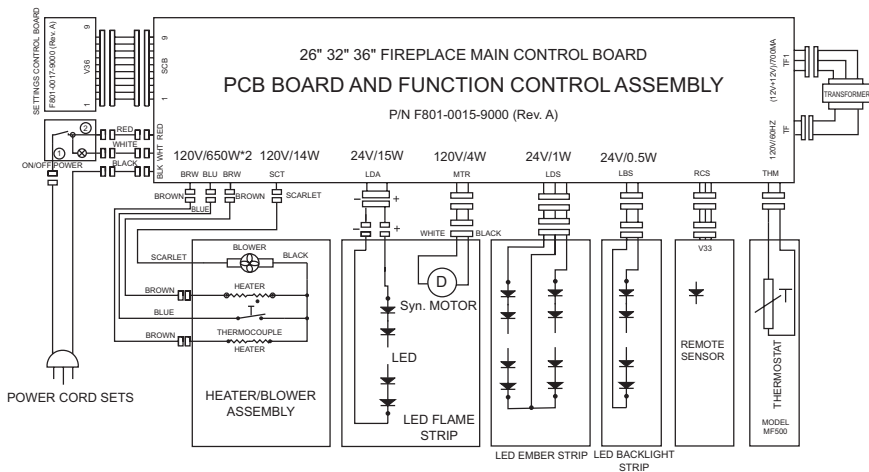
BAFT-2 - Black Arched 2" Trim



BFT-2 - Black 2" Trim

BNFT-2 - Brushed Nickel 2" Trim

WIRING DIAGRAM



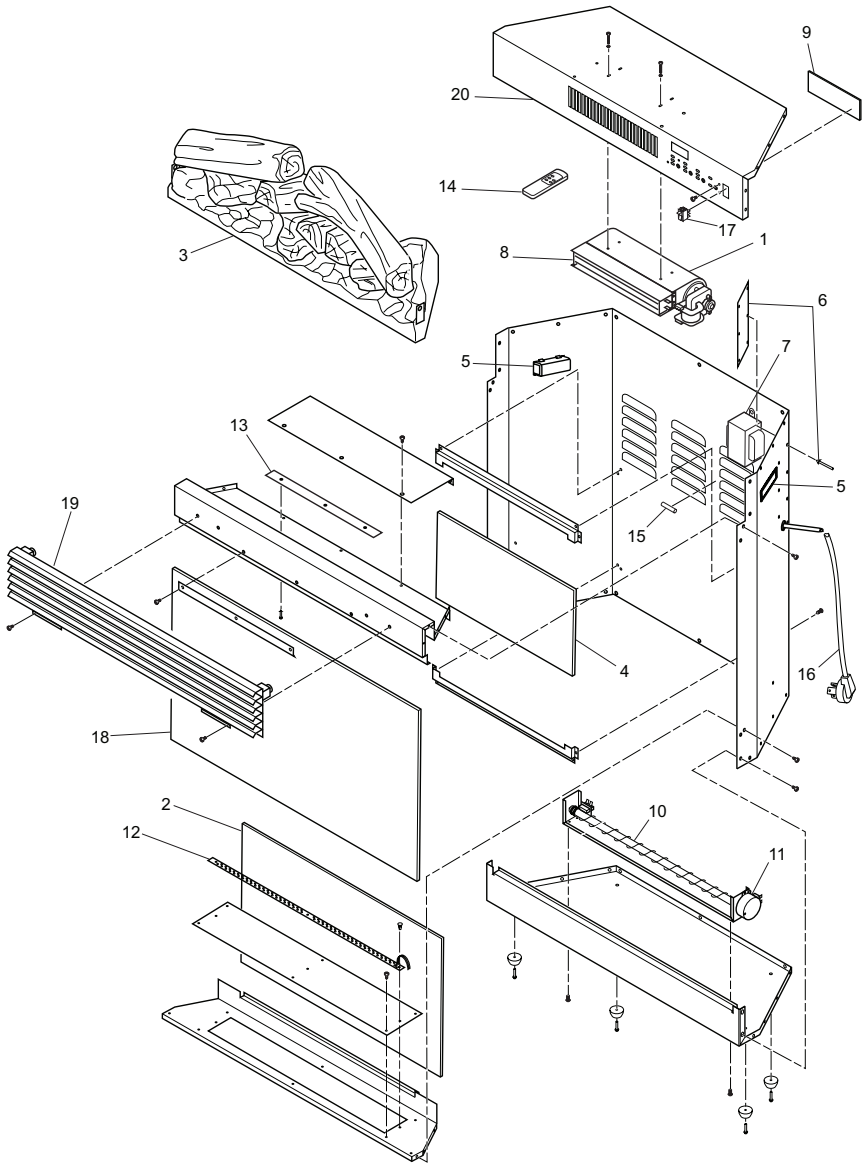
TROUBLESHOOTING

 WARNING: Turn off appliance and let cool before servicing. Only a qualified service person should service and repair heater.

OBSERVED PROBLEM	POSSIBLE CAUSE	REMEDY
Fireplace turns off and will not turn on	1. Fireplace has overheated and safety device has cause thermal switch to disconnect or home circuit breaker has opened	1. Reset switch by turning main power switch off and waiting 5 minutes then turning it back on or reset circuit breaker
Flame is not moving	1. Loose wiring 2. Flame motor defective	1. Inspect wiring for loose connections 2. Call a qualified service technician to replace flame motor
Flame is not visible	1. Wiring is loose	1. Disconnect from power source and inspect wiring for loose connections and repair or replace if necessary
Log set and/or ember is not glowing	1. Wiring is loose	1. Disconnect from power source and inspect wiring for loose connections and repair or replace if necessary
Flame sputters/flashes	1. Flame motor is defective 2. Flame generation contacts dirty/obstructed	1. Call a qualified service technician to replace flame motor 2. Disconnect power. Follow steps to replace flame generation LED. Clean contacts with dry cloth.
Remote control does not work	1. Low batteries 2. Not aiming control correctly 3. Defective remote control and/or sensor	1. Replace AAA batteries in remote control 2. Aim control at sensor located directly behind glass screen in center of unit just above logs 3. Replace remote control and/or sensor
Fireplace will not come on when switch is flipped to ON	1. Fireplace is not plugged in to an electrical outlet 2. Control failure 3. Breaker tripped	1. Check plug 2. Call a qualified service technician to replace control 3. Reset breaker
Heater does not provide heat when turned on	1. Thermal switch has been tripped 2. Circuit breaker has been tripped 3. Wiring is loose 4. Heater is defective 5. Thermostat cycled off	1. Turn unit off and unplug unit for 5 minutes. Plug back in and turn unit on. If plug cannot be reached, follow directions for tripped circuit breaker 2. Turn off circuit breaker that supplies electricity to unit. Wait 5 minutes then flip circuit breaker back on 3. Disconnect from power source and inspect wiring for loose connections and repair or replace if necessary 4. Replace heater 5. Change to higher setting

PARTS

MODELS CEF26-3 AND CEF26-3A



PARTS

MODELS CEF26-3 AND CEF26-3A

This list contains replaceable parts used in your fireplace. When ordering parts, follow the instructions listed under Replacement Parts (below) of this manual.

KEY NO.	PART NO.	DESCRIPTION			QTY.
			CEF26-3	CEF26-3A	
1	120925-30	Blower	•	•	1
2	120927-04	Rear Glass (Screen)	•	•	1
	120927-63	Reflective Rear Glass (Screen)		•	1
3	120927-05	Log Set	•	•	1
4	120927-07	Flame Effect Mirror	•	•	1
5	120927-08	Handles	•	•	2
6	120927-09	Main Control Board and Standoffs (5)	•	•	1
7	120927-10	Transformer	•	•	1
8	120927-11	Heater	•	•	1
9	120927-12	Settings Control Board	•	•	1
10	120927-13	LED Drum Assembly	•	•	1
11	120927-14	Motor (Drum)	•	•	1
12	120927-15	LED Ember Strip	•	•	1
13	120927-16	LED Backlight Strip	•	•	1
14	120927-20	Remote Control	•	•	1
15	120927-21	Remote Control Sensor	•	•	1
16	120927-22	Power Cord	•	•	1
17	120927-24	ON/OFF Switch	•	•	1
18	120927-30	Front Glass	•	•	1
19	120927-34	Control Panel Door (Black)	•	•	1
20	120927-36	Top (Black)	•	•	1
PARTS AVAILABLE NOT SHOWN					
	120927-17	Wire (Flame Effect)	•	•	1
	120927-18	Wire (Ember Bed)	•	•	1
	120927-19	Wire (Backlight)	•	•	1
	120927-23	Thermocouple	•	•	1

REPLACEMENT PARTS

Note: Use only original replacement parts. This will protect your warranty coverage for parts replaced under warranty.

Contact authorized dealers of this product. If they can't supply original replacement part(s), call FMI PRODUCTS, LLC at 1-866-328-4537.

When calling, have ready:

- your name
- your address
- model and serial numbers of your heater
- how heater was malfunctioning
- purchase date

Usually, we will ask you to return the part to the factory.

WARRANTY

KEEP THIS WARRANTY

Model (located on product or identification tag) _____

Serial No. (located on product or identification tag) _____

Date Purchased _____

Keep receipt for warranty verification.

FMI PRODUCTS, LLC LIMITED WARRANTIES

New Products

Standard Warranty: FMI PRODUCTS, LLC warrants this new product and any parts thereof to be free from defects in material and workmanship for a period of two (2) years from the date of first purchase from an authorized dealer provided the product has been installed, maintained and operated in accordance with FMI PRODUCTS, LLC's warnings and instructions.

For products purchased for commercial, industrial or rental usage, this warranty is limited to 90 days from the date of first purchase.

Factory Reconditioned Products

Limited Warranty: FMI PRODUCTS, LLC warrants factory reconditioned products and any parts thereof to be free from defects in material and workmanship for 30 days from the date of first purchase from an authorized dealer provided the product has been installed, maintained and operated in accordance with FMI PRODUCTS, LLC's warnings and instructions.

Terms Common to All Warranties

The following terms apply to all of the above warranties:

Always specify model number and serial number when contacting the manufacturer. To make a claim under this warranty the bill of sale or other proof of purchase must be presented.

This warranty is extended only to the original retail purchaser when purchased from an authorized dealer, and only when installed by a qualified installer in accordance with all local codes and instructions furnished with this product.

This warranty covers the cost of part(s) required to restore this product to proper operating condition and an allowance for labor when provided by a FMI PRODUCTS, LLC Authorized Service Center or a provider approved by FMI PRODUCTS, LLC. Warranty parts must be obtained through authorized dealers of this product and/or FMI PRODUCTS, LLC who will provide original factory replacement parts. Failure to use original factory replacement parts voids this warranty.

Travel, handling, transportation, diagnostic, material, labor and incidental costs associated with warranty repairs, unless expressly covered by this warranty, are not reimbursable under this warranty and are the responsibility of the owner.

Excluded from this warranty are products or parts that fail or become damaged due to misuse, accidents, improper installation, lack of proper maintenance, tampering, or alteration(s).

This is FMI PRODUCTS, LLC's exclusive warranty, and to the full extent allowed by law; this express warranty excludes any and all other warranties, express or implied, written or verbal and limits the duration of any and all implied warranties, including warranties of merchantability and fitness for a particular purpose to two (2) years on new products and 30 days on factory reconditioned products from the date of first purchase. FMI PRODUCTS, LLC makes no other warranties regarding this product.

FMI PRODUCTS, LLC's liability is limited to the purchase price of the product, and FMI PRODUCTS, LLC shall not be liable for any other damages whatsoever under any circumstances including indirect, incidental, or consequential damages.

Some states do not allow limitations on how long an implied warranty lasts or the exclusion or limitation of incidental or consequential damages, so the above limitation or exclusion may not apply to you.

This warranty gives you specific legal rights, and you may also have other rights which vary from state to state.

For information about this warranty contact:


FMI PRODUCTS, LLC
2701 S. Harbor Blvd.
Santa Ana, CA 92704
1-866-328-4538
www.fmiproducts.com

120927-37
Rev. D
09/09