



FMI PRODUCTS, LLC

INSTALLATION INSTRUCTIONS FOR PCDM-42VC CONVERSION KIT

For Use When Converting Model (V)VC42N Series,
(V)VCC42N Series And CGCDV42NR Series
from Natural Gas to Propane/LP Gas

This conversion kit must be installed by a qualified service agency.

Read these instructions completely before installing this conversion kit.

Before proceeding, make sure gas control valve is in the OFF position, all electrical power to the appliance is OFF, and fireplace is cool to the touch.

CAUTION: The gas supply shall be shut off prior to disconnecting the electrical power before proceeding with the conversion.

Parts included with this kit:

Part No.	Description	Qty.
116489-01	Instruction Sheet	1
108085-02	Pilot Orifice LP (30)	1
23098	Burner Orifice LP (50)	1
14488	Gas Valve Regulator LP	1
116477-09	Conversion Label, English	1
116478-09	Conversion Label, French	1
106080-01	Conversion Information Label	1
106739-01	Registration, Gas Conversion	1

Tools Required

- 7/8" Open End Wrench or Adjustable Wrench
- 3/4" Open End Wrench or Adjustable Wrench
- Torx T20 or Slotted Screwdriver
- 5/32" Allen Wrench
- #2 Short Phillips Screwdriver
- Thread Sealant (Resistant to Propane/LP)

ACCESSING FIREPLACE

The gas control valve and main burner orifice are located under the firebox floor of appliance and are accessed by removing the lower louver panel. The pilot orifice is located in the pilot burner and is accessed by opening the glass door and removing the logs.

Removing Louver Panels

Remove the top and bottom louver panels by simultaneously pulling both top end spring latches towards center of appliance until they are disengaged from locating holes (see Figure 1). Repeat for bottom spring latches and pull louvers outward. To install or replace items removed, simply reverse procedures above.

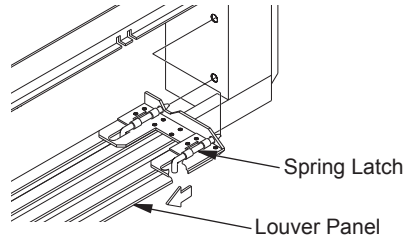


Figure 1 - Removing Louver Panel

Opening Glass Door

1. Remove screen assembly by pushing the rod either left or right and then down and forward. Set assembly aside.
2. Lift up on latches of door to unlock. There are two on top of firebox and two below firebox that hold glass door in place (see Figure 2).

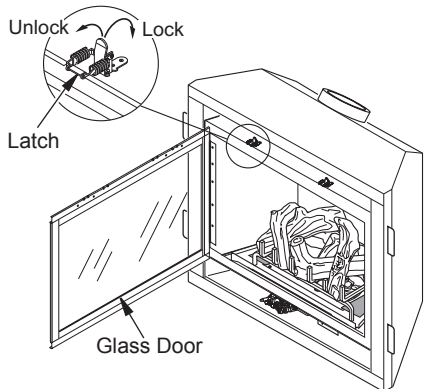


Figure 2 - Opening Glass Door

BURNER ORIFICE CONVERSION

1. Carefully remove logs/grate assembly by unscrewing grate from plenum (see Figure 3). The two logs under the grate are attached to the burner. **DO NOT** remove these logs.
2. Remove screws that attach the plenum to the burner to remove burner.
3. Remove main burner from grate base by removing four screws (see Figure 3).
4. Remove the NG orifice from elbow fitting. Apply a light amount of propane/LP resistant sealant to threaded end of LP orifice (#50) supplied with kit. Thread LP orifice into elbow and tighten.
5. Reinstall main burner to grate base with four screws removed in step 3.
6. Adjust air shutter to fully open (maximum) position.

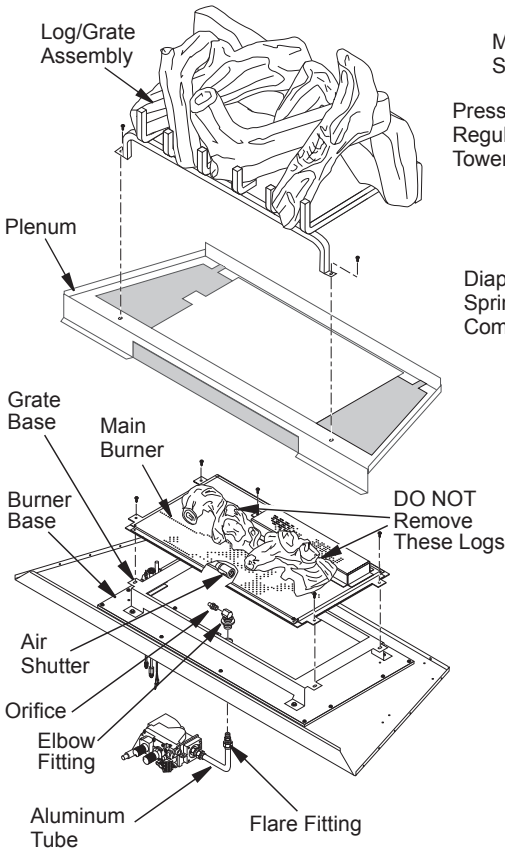


Figure 3 - Removing Orifice for Conversion (Valve Shown Removed from Base for Clarity)

GAS CONTROL VALVE CONVERSION

Convert the gas control valve by swapping out the valve regulator portion of the gas valve.

1. Using a Torx T20 or slotted screwdriver, remove and discard the three mounting screws, pressure regulator tower and diaphragm/spring components (see Figure 4).
2. Insure that the rubber gasket is properly positioned on the new pressure regulator assembly. Install the LP pressure regulator assembly to the valve using the new mounting screws supplied with the kit. Tighten screws securely (approximately 25 in-lbs.) (see Figure 5, page 3).
3. Install the identification label enclosed with the gas valve regulator to the valve body where it can easily be seen (see Figure 5, page 3).

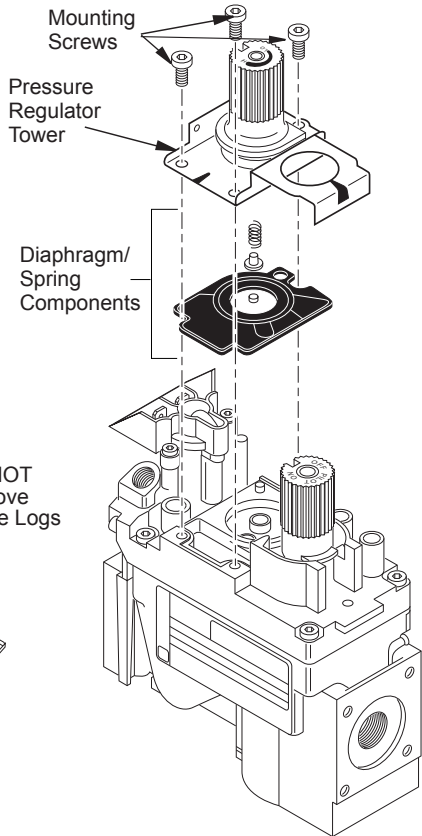


Figure 4 - Removing Mounting Screws, Pressure Regulator Tower and Diaphragm/Spring Components

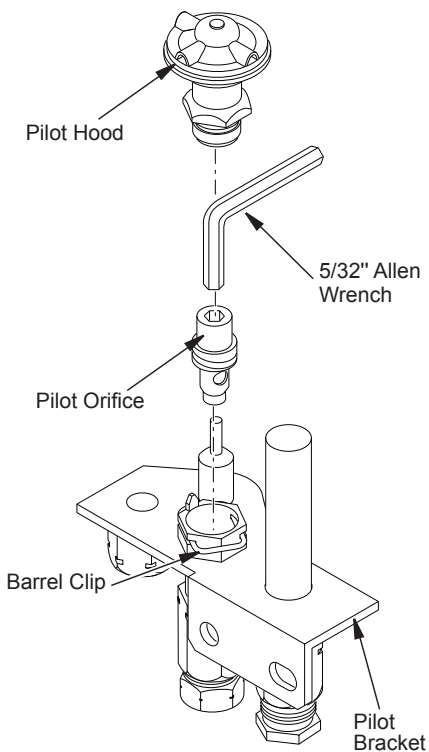


Figure 9 - Converting Pilot Orifice

FINAL PREPARATION

1. Reinstall the plenum to the burner and the log/grate assembly to the plenum with screws removed during *Burner Orifice Conversion* on page 2.
 2. Leak check the gas control and any connections you've made before operating the appliance. Refer to *Checking Gas Connections* in owner's manual.
 3. Close and latch door.
 4. Replace screen and reinstall louver panels.
- The conversion is now complete.

To operate your fireplace, refer to *Operating Fireplace* in your appliance owner's manual.

⚠ WARNING: Test all gas piping and connections, internal and external to unit, for leaks after installing or servicing. Correct all leaks at once.

⚠ WARNING: Never use an open flame to check for a leak. Apply noncorrosive leak detection fluid to all joints. Bubbles forming show a leak. Correct all leaks at once.

⚠ WARNING: This conversion kit shall be installed by a qualified service agency in accordance with the manufacturer's instructions and all applicable codes and requirements of the authority having jurisdiction. If the information in these instructions is not followed exactly, a fire, explosion or production of carbon monoxide may result causing property damage, personal injury or loss of life. The qualified service agency is responsible for the proper installation of this kit. The installation is not proper and complete until the operation of the converted appliance is checked as specified in the manufacturer's instructions supplied with this kit.