


FMI PRODUCTS, LLC
CAK-8 AND CAK-12
COLD AIR KIT
INSTALLATION INSTRUCTIONS

THIS COLD AIR KIT IS APPROVED FOR USE WITH FMI PRODUCTS, LLC'S FACTORY-BUILT FIREPLACES.

Verify you have the correct kit for your FMI PRODUCTS, LLC fireplace. Refer to your owner's manual for correct cold air kit to be used. Each cold air kit includes cold air box assembly, outside air vent hood with stucco flange and screws.

INSTALLATION

Vent pipe must be in place and connected to starter collar on fireplace before cold air kit can be installed.

1. Place front and rear sections of cold air box on top of fireplace around starter collar. Slide rear half of box over front half, aligning holes. Using screws provided, attach sections of cold air box together. Use pre-punched holes located on cold air box flanges as guides to drill 3/32 diameter holes through the top of fireplace. Secure cold air box to fireplace with screws provided.
2. Determine where vent hood will be installed on outside wall. The inlet vent hood must be installed no lower than six feet above the ground level. Locate hood high enough not to be blocked by drifting snow. If inlet vent hood is installed in a chase, it must be at least three feet below the termination cap.
3. Cut a 4" diameter hole through the outside wall for installation of the vent hood.
4. Determine length of duct (3 feet length provided) needed between cold air box and outside wall. Connect determined length of 4" class 1 duct to collar on cold air box assembly. Secure and seal with hi-temp duct tape (not included).

5. Route duct from cold air box assembly to wall and through the 4" diameter hole cut for the vent hood. Secure and seal duct to vent hood with hi-temp duct tape. Remove oil at end of duct to insure proper adhesion to duct tape to be applied.
6. Slide inlet vent hood into hole on outside wall and attach using screws included with kit.

VENTING RESTRICTIONS

- The duct must never be compressed, kinked or deformed!
- Reducing the cross sectional area of the duct will reduce the amount of air flow.
- Air inlets are not to terminate in attic space.
- Do not install air inlet vent hood in a location that would draw air from a garage or attic spaces.
- When additional ducting is needed, use class 1 metallic duct material to connect section of the class 1 duct.

* On some fireplaces, rear top spacers may interfere with cold air kit installation. If so, remove rear top spacers before installation of cold air kit

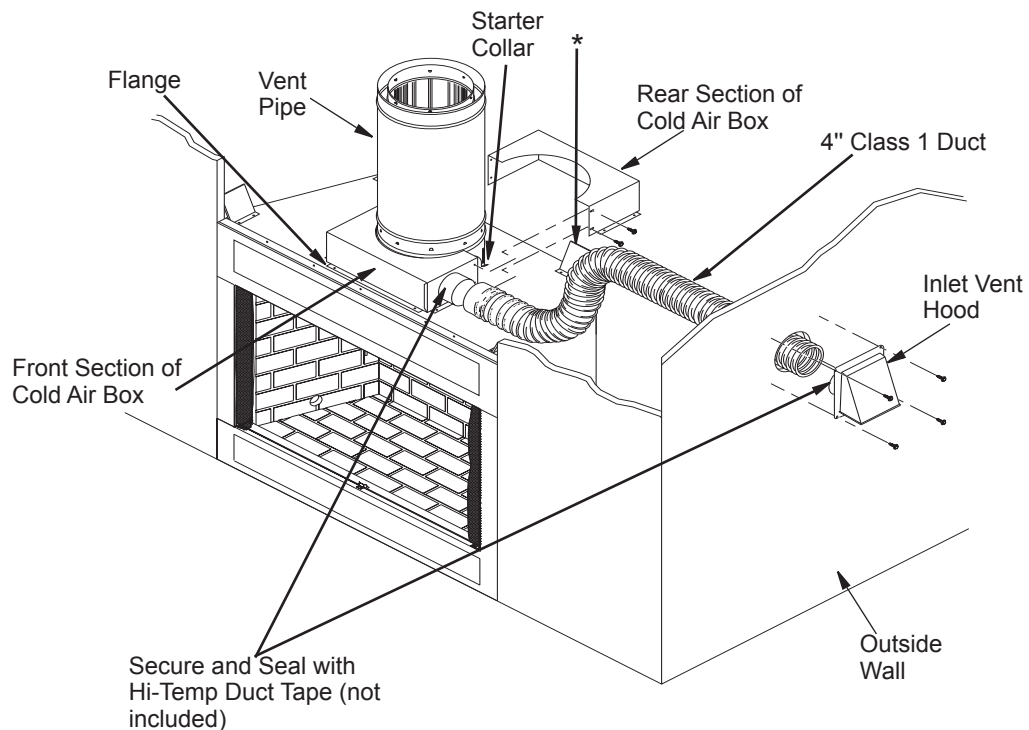


Figure 1 - Installing Cold Air Kit