

FIELD FABRICATED SHROUDS

These shroud designs have been certified and tested for FMI PRODUCTS, LLC fireplace systems for use with Round Top Termination Series for 8" (RT/RTT/RTL/RTTL-8DM), 10" (RTL-10DM), 12" (RTL-12D), direct vent and b-vent terminations. These shroud designs must be constructed from a minimum 26 ga. aluminized steel and may be field constructed if dimensional requirements specified in Figures 1 through 6 are maintained. Note: All dimensions are minimum.

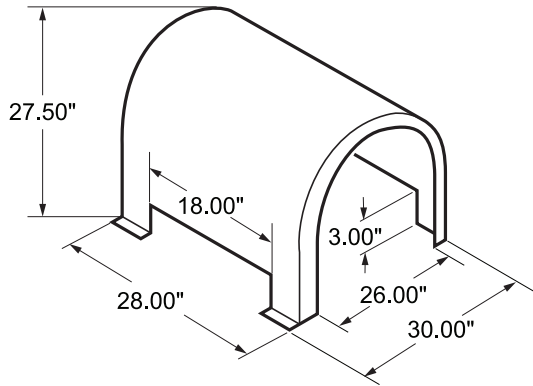


Figure 1 - Standard Arch Shroud

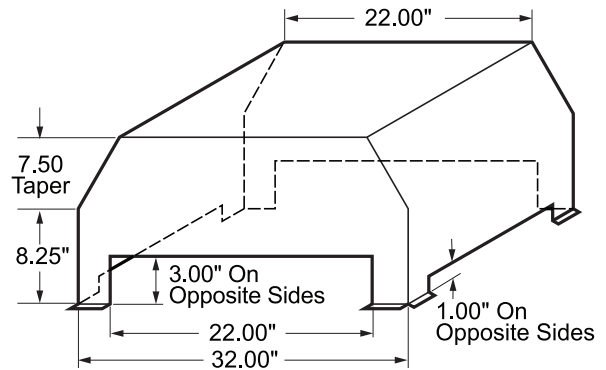


Figure 4 - Square Shroud (Tapered)

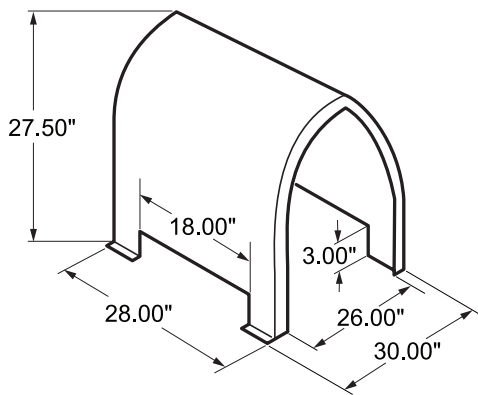


Figure 2 - Bishops Arch Shroud

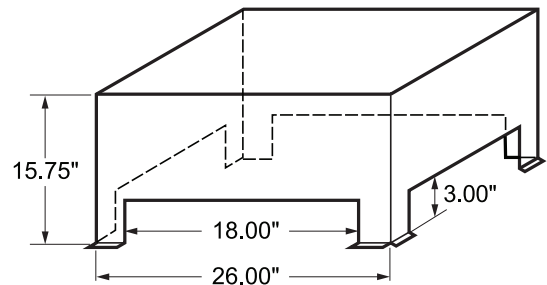


Figure 5 - Square Shroud

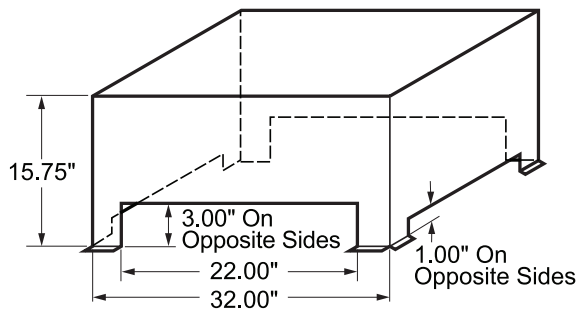


Figure 3 - Square Shroud

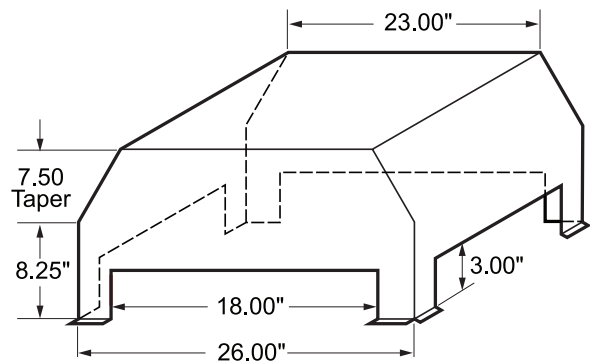


Figure 6 - Square Shroud (Tapered)

SHROUD INSTALLATION

The Round Top Termination should be installed completely before installing shroud. A 6" minimum clearance must be maintained between bottom of termination and top of flashing (see Figure 7). Place shroud over chase top flashing and secure with sheet metal screws (see Figure 8). **IMPORTANT:** Refer to installation instructions supplied with your FMI PRODUCTS, LLC termination cap model for minimum clearances.

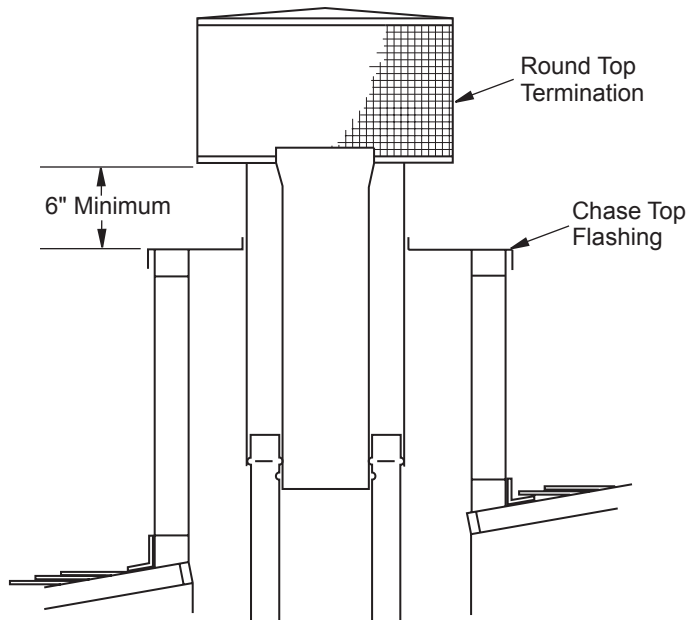


Figure 7 - 6" Minimum Clearance

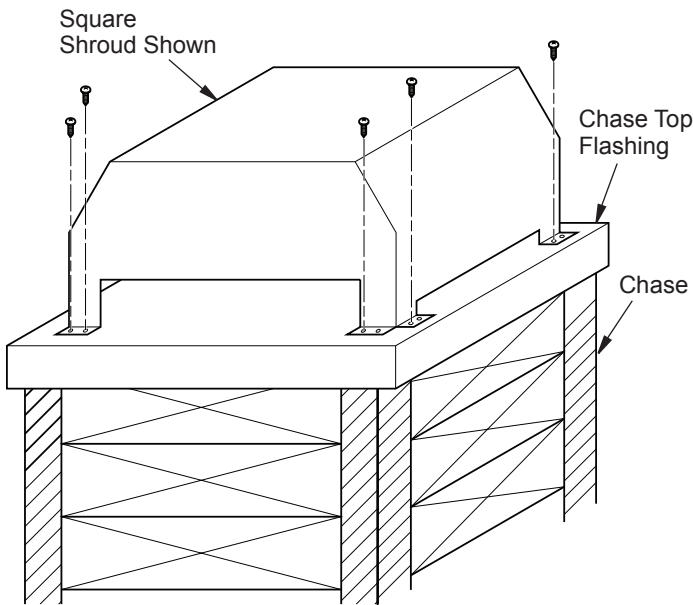
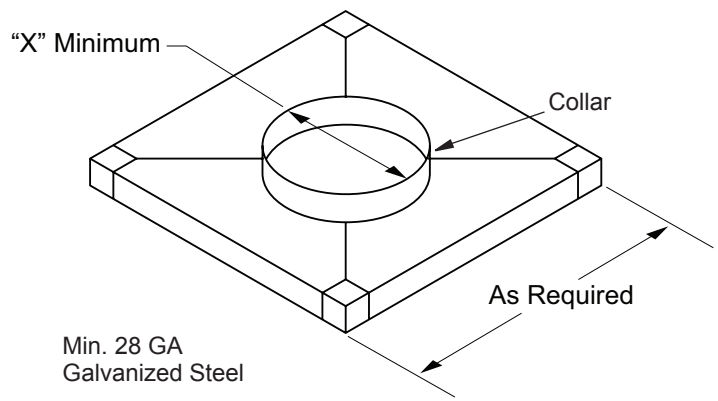


Figure 8 - Shroud Installation

CONSTRUCTING CHASE TOP FLASHING

Fabricate flashing with the required diameter hole centered over chimney end (see Figure 9).



PIPE SYSTEM	X
8" Wood Burning	14"
10" Wood Burning	16 1/2"
12" Wood Burning	16 1/2"
Direct Vent	9 1/2"

Figure 9 - Chase Top Flashing

INSTALLATION OF FMI PRODUCTS, LLC FABRICATED SHROUD LEGS (MODEL SLK)

FMI PRODUCTS, LLC fabricated shroud legs can be used to provide a 3" opening between bottom of shroud and chase top flashing. The Shroud Leg Kit (SLK) contains 4 shroud legs and 24 self-drilling screws. Use the following instructions to install shroud legs.

1. Place chase flashing on top of shroud leg tabs (bent).
2. Secure shroud legs with self-drilling screws as shown in Figure 10. Note: Both corner edges should be flush.
3. Repeat this procedure for each corner of shroud.

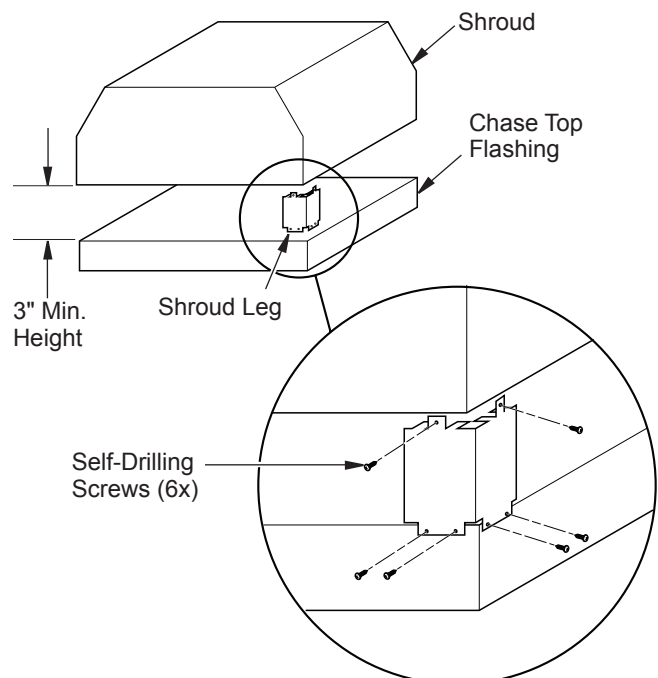


Figure 10 - Shroud Leg Installation


FMI PRODUCTS, LLC
2701 S. Harbor Blvd.
Santa Ana, CA 92704
1-866-328-4537
www.fmiproducts.com

108180-01
Rev. G
03/10