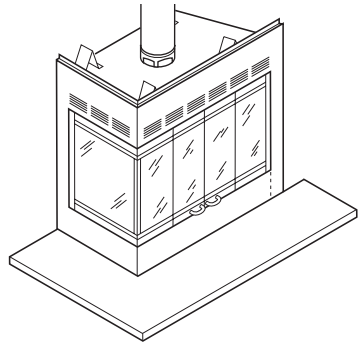




FMI PRODUCTS, LLC

**36" OPEN CORNER CIRCULATING
(LOUVERED)
WOOD BURNING FIREPLACE
OWNER'S OPERATION AND
INSTALLATION MANUAL**



We recommend that our woodburning hearth products be installed and serviced by professionals who are certified in the U.S. by the National Fireplace Institute® (NFI) as NFI Woodburning Specialists or who are certified in Canada by Wood Energy Technical Training (WETT).



OPEN CORNER WOOD BURNING FIREPLACE

(V)36R(S) Right Side Opening; (V)I36R(S) Right Side Opening (Fully Insulated)
(V)36L(S) Left Side Opening; (V)I36L(S) Left Side Opening (Fully Insulated)

SAVE THIS BOOK

This book is valuable. In addition to instructing you on how to install and maintain your appliance, it also contains information that will enable you to obtain replacement parts or accessory items when needed. Keep it with your other important papers.

This fireplace is approved for use as a wood burning fireplace or for use with a vented gas log approved to ANS Z21.60, Z21.84 standards or for use with a vent-free gas log heater approved to ANS Z21.11.2 standard. A FMI PRODUCTS, LLC hood must be installed when using a vent-free gas log set (see *Accessories*, page 16).

This wood burning fireplace complies with UL127-CAN/ULS-S610-M87 standard as a FACTORY BUILT APPLIANCE and is listed and tested by the PFS Corporation.

INSTALLER: Leave this manual with the appliance.
CONSUMER: Retain this manual for future reference.

⚠ WARNING: Improper installation, adjustment, alteration, service or maintenance can cause injury, property damage or loss of life. Refer to this manual for assistance or additional information. Consult a qualified installer or local distributor.

TABLE OF CONTENTS

Safety	2	Operation and Maintenance Guidelines	14
Product Dimensions	3	Technical Service.....	16
Fireplace Installation.....	4	Replacement Parts	16
Venting Installation	6	Accessories	17-18
Optional Gas Line Installation.....	12		

SAFETY

IMPORTANT: Check local codes before installing this fireplace.

This fireplace model is a wood burning fireplace intended and approved for installation in either residential homes or buildings of standard construction. This fireplace system requires the utilization of FMI PRODUCTS, LLC's 8", double-wall, and snap lock flue pipe system. Optional glass doors in several finishes are available for this fireplace (see *Replacement Parts* and *Accessories* on page 16).

Before beginning the installation of the fireplace, read these instructions through completely.

- This FMI PRODUCTS, LLC fireplace and its components are safe when installed according to this installation manual. Use of any components that have not been designed and tested for this fireplace system may cause a fire hazard.
- The FMI PRODUCTS, LLC warranty will be voided by and FMI PRODUCTS, LLC disclaims any responsibility for the following actions.
 - a. Modification of the fireplace, components, doors, chimney system, air inlet system, damper control, etc..
 - b. Use of any component part not manufactured or approved by FMI PRODUCTS, LLC in combination with a FMI PRODUCTS, LLC fireplace system.

Proper installation is the most important step in ensuring safe and continuous operation of the fireplace.

⚠ WARNING: Do not install a fireplace insert in this firebox unless the manufacturer's instructions with the insert specifically state this fireplace has been tested for use with the insert.

This fireplace is not intended to be used as a substitute for a furnace to heat an entire home. Use for supplemental heat only.

This model is not for use in manufactured housing (mobile homes).

FOR YOUR SAFETY

- Do not store or use gasoline or any other flammable vapors or liquids in the vicinity of this or any other appliance.
- Due to high temperatures, the appliance should be located out of traffic and away from furniture and draperies.
- Do not place clothing or other flammable materials on or near the appliance.
- Never leave children unattended when a fire is burning in the fireplace.

SAFETY

Continued

⚠ WARNING: Use solid wood or processed solid fuel fire logs only. When processed wood fuel fire logs are used, do not poke or stir the logs while they are burning. Use only fire logs that have been evaluated for the application in fireplace and refer to fire log warnings and caution markings on packaging prior to use.

⚠ WARNING: Always leave glass doors fully opened or fully closed when operating fireplace.

⚠ WARNING: Children and adults should be alerted to the hazards of high surface temperatures and to stay away to avoid burns or clothing ignition. Young children should be carefully supervised when in the same room as fireplace.

PRODUCT DIMENSIONS

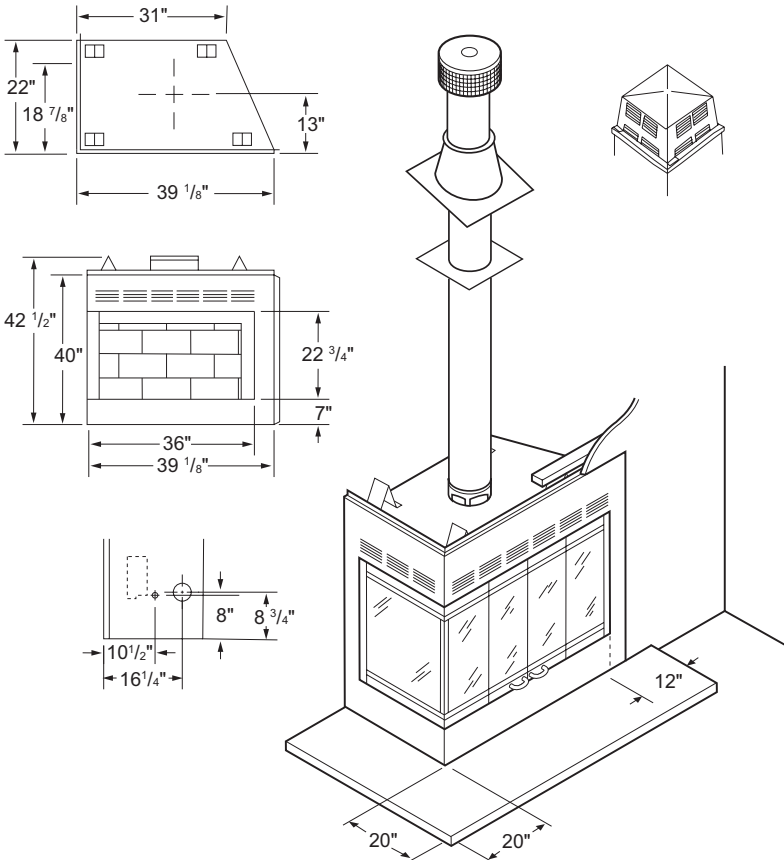


Figure 1 - Dimensions

FIREPLACE INSTALLATION

GLOSSARY

Flush Installation - type of installation where front face of fireplace is even or level with wall.

Chase Installation - type of installation where chimney is enclosed.

Perpendicular Side Wall - applies to minimum clearance between side wall and fireplace opening.

Nailing Flange - extended part on both sides of fireplace face that secures fireplace to wall.

Termination - cap that is placed at end of chimney pipe.

SELECTING LOCATION

To determine the safest and most efficient location for the fireplace, consider the following guidelines:

- The location must allow for proper clearances (see below).
- Consider a location where the fireplace will not be affected by drafts, air conditioning ducts, windows or doors.
- A location that avoids the cutting of joists or roof rafters will make installation easier.
- If an outside air kit is to be installed, accessibility to outside combustion air must be considered. This can also be achieved through a vented crawl space in some cases (see *Optional Outside Air Kit* on page 6).
- If gas line is to be installed, consider location of gas supply.

MINIMUM CLEARANCE TO COMBUSTIBLES

Back and sides of fireplace	3/4" min.
Top Spacers	0"
Perpendicular side wall to opening of unit	14" min.
Bottom of fireplace to floor (step 2 of <i>Framing</i>)	0" min.
Mantel clearances	see page 5
Chimney outer pipe surfaces	2" min.
Chase inside dimension	16 1/2" min.

⚠ WARNING: Do not pack air spaces with insulation or any other material. Do not obstruct fireplace openings (ie. louvers, etc.) with any type of facing material. Combustible material must not be in contact with back of front face of fireplace.

FRAMING

1. Frame opening for fireplace using dimensions shown in Figures 2 and 3.
2. If fireplace is to be installed directly on carpeting, tile (other than ceramic) or any combustible material other than wood flooring; fireplace must be installed on a metal or wood panel extending full width and depth of fireplace.
3. Set fireplace directly in front of opening and slide unit back until nailing flanges touch side framing.
4. Check level of fireplace and shim with sheet metal if necessary.

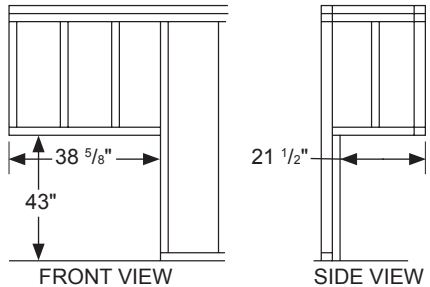


Figure 2 - Framing Dimensions

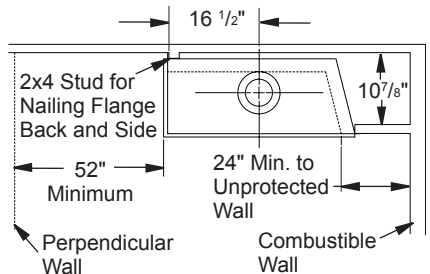


Figure 3 - Corner Installation

FIREPLACE INSTALLATION

Continued

- Before securing fireplace to prepared framing, ember protector (provided) must be placed between hearth extension (not supplied) and under bottom front edge of fireplace to protect against glowing embers falling through. If fireplace is to be installed on a raised platform, a Z-type ember protector (not supplied) must be fabricated to fit your required platform height. Ember protector should extend under fireplace a minimum of 1". Ember protector should be made of galvanized sheet metal (28 gauge minimum) to prevent corrosion (see Figure 5).
- Using screws or nails, secure fireplace to the framing through flanges located on sides of the fireplace (see Figure 4).

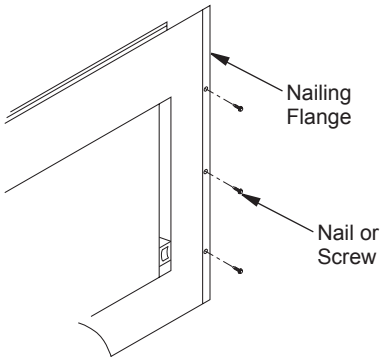


Figure 4 - Nailing Flanges

HEARTH EXTENSION

A hearth extension is required to protect combustible floor constructed in front of fireplace. The hearth extension is not included and must be fabricated. The hearth extension must project at least 12" one side and 20" on other side of fireplace opening.

Hearth extension must be made of noncombustible, inorganic material having an effective thermal conductivity of $K=0.84$ BTU IN/FT, HR. F (or less) at 1" thick.

Thermal conductivity "K" of materials can be obtained from manufacturer or supplier of noncombustible material. The minimum required thickness of any material could be obtained by the following formula:

$$\frac{K \text{ factor at } 1"}{0.84} = \text{thickness required}$$

For example, if the material selected has a K factor of 0.25, such as glass fiber, the following formula would apply:

$$\frac{0.25 \times 1.0}{0.84} = 0.30" \text{ thickness required}$$

If hearth extension is to be covered, use non-combustible material such as tile, slate, brick, concrete, metal, glass, marble, stone, etc.

Provide a means to prevent hearth extension from shifting and seal gap between fireplace frame and hearth extension with non-combustible material (see Figure 5).

⚠ WARNING: Hearth extension is to be installed only as described.

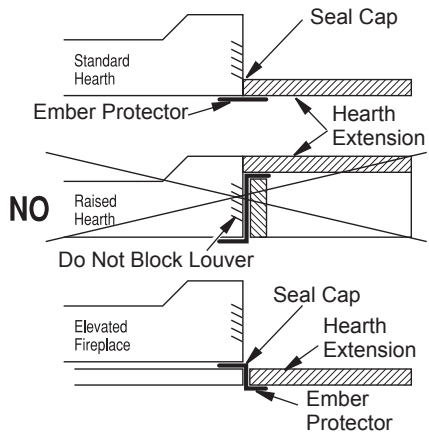


Figure 5 - Hearth Extensions

MANTEL CLEARANCES

Woodwork such as wood trims, mantels or any other combustible material must not be placed at least 9" above opening of fireplace (see Figure 6, page 6).

Combustible materials above 9" and projecting more than 1 1/2" from the fireplace front face must not be at least 12" above fireplace opening (NFPA STD 211, Sec. 7-3.3.3).

Mantels or any other combustible material may also come up to the side edge of the black metal face of the fireplace. Clearances from side of fireplace to any combustible material and wall should fall within the limits show in Figure 7, page 6.

FIREPLACE INSTALLATION

Continued

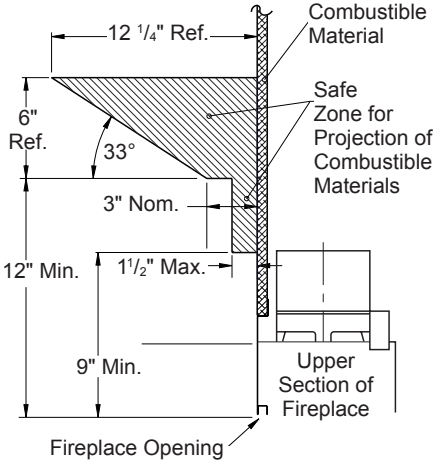
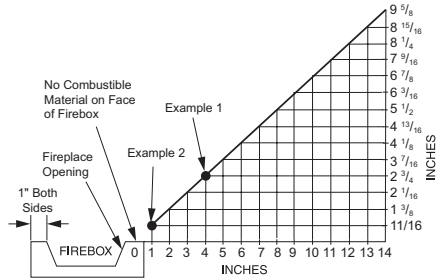


Figure 6 - Mantel Clearances

Example 1: The face of a mantel, bookshelf, etc. is made of combustible material and protrudes 2 3/4" from the wall on which the fireplace is installed. The combustible material must be a minimum of 4" from side of fireplace opening.

Example 2: The face of a mantel, bookshelf, etc. is made of combustible material and protrudes 11/16" from the wall on which the fireplace is installed. The combustible material can butt up against the side of fireplace (i.e. 1" from fireplace opening).



Minimum 14" from Perpendicular Side Wall

Figure 7 - Minimum Side Clearances

VENTING INSTALLATION

OPTIONAL OUTSIDE AIR KIT (Models AK4 or AK4F)

The installation of an outside air kit should be performed during the rough framing of the fireplace due to the nature of it's location. Outside combustion air is accessed through and exterior wall (AK4) or a vented crawl space (AK4F). See Figure 8 and *Accessories* on page 16.

Avoid installing outside air eyebrow in areas where inlet opening may be blocked by snow, bushes or other obstacles. It should also be located beyond the reach of children.

CAUTION: Air ducts must not terminate in attic space or garage.

The maximum height for the air vent can not exceed 3 feet below the flue gas outlet of the termination.

For further details on installation of outside air kit, please refer to instructions included with air kit. For operating instructions, please refer to your owner's manual.

Outside air handle is located on left-hand side of fireplace refractory (see Figure 9 on page 7, Model 36R shown). To close, pull done; to open, push up. Always open mechanism when starting a fire to provide adequate outside combustion air. Close mechanism when not in use to prevent cold air from entering room.

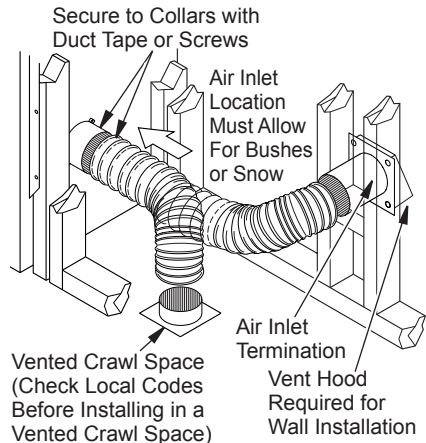


Figure 8 - Air Kit Installation

VENTING INSTALLATION

Continued

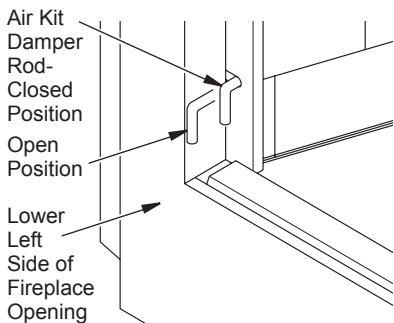


Figure 9 - Air Kit Damper Rod

CHIMNEY SYSTEM

Chimney Height

Minimum chimney height measured from bottom of fireplace to flue gas outlet-end of termination is:

Straight run	14 feet
Run with one elbow set	15 feet
Run with two elbow sets	24 feet

An elbow set consists of one starter elbow and one return elbow. Uncommon circumstances such as neighboring hills, tall trees, or strong wind areas can cause downdrafts in chimney system. In such cases, going beyond minimum recommended height would be preferable to provide a better draw.

Maximum height approved for any chimney run with this fireplace system is 60 feet as measured from fireplace bottom to flue outlet end of termination.

Double Wall Chimney System

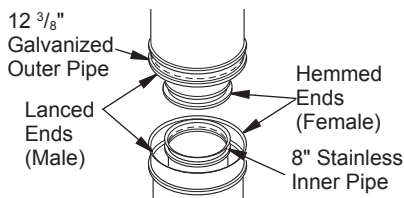
The FMI PRODUCTS, LLC chimney system consists of 12", 18", 24" 36" and 48" snap lock double wall pipe segments, planned for maximum adaptability to individual site requirements. Actual lineal gain for each is measured after each section is fully connected. Lineal gain is the actual measurable length of a part after two or more parts are connected.

Each double wall chimney section consists of a galvanized outer pipe, a stainless steel inner flue pipe and a wire spacer. Pipe sections must be assembled independently as chimney is installed. When connecting chimney directly to fireplace, inner flue pipe section must be installed first with lanced (female) side up (see Figure 10). Outer pipe section can then be installed over flue pipe section

with hemmed (male) end up. Press down on each pipe section until lances securely engage hem on fireplace starter. The wire will assure proper spacing between inner and outer pipe sections.

Continue to assemble chimney sections as outlined above, making sure both inner and outer pipe sections are locked together.

When installing double wall snap-lock chimney together, it is important to assure the joint between chimney sections is locked. Check by pulling chimney upward after locking. Chimney will not come apart if properly locked. It is not necessary to add screws to keep chimney together. However, if desired, use screws per directions provided on page 8, Figure 11.



LINEAL GAIN		
PART NO.	DESCRIPTION	GAIN
36L/R	Fireplace	42"
12-8DM	Pipe Section	10 5/8"
18-8DM	Pipe Section	16 5/8"
24-8DM	Pipe Section	23 5/8"
36-8DM	Pipe Section	34 5/8"
48-8DM	Pipe Section	46 5/8"
RT-8DM	Round Termination	6 7/8"
RTL-8DM	Round Termination	7 3/4"
RTT-8DM	Round Termination with Slip Section	6 7/8" to 23 1/8"
RTTL-8DM	Round Termination with Slip Section	7 3/4" to 21 1/2"
ET-8DM	Square Chase Termination	12"
ETL-8DM	Square Chase with Slip Section	7" to 15"
ETO-8DM	Square Chase with Mesh	12"
ETLO-8DM	Square Chase with Mesh and Slip Section	12" to 21 1/2"

*Lineal Gain for Terminations is measured to Flue Gas Outlet Height.

Figure 10 - Pipe Connection

VENTING INSTALLATION

Continued

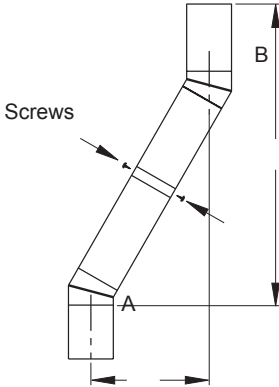
WARNING: The opening in the collar around the chimney at the top of the fireplace must not be obstructed. Never use blown insulation to fill the chimney enclosure.

Chimney weight above offset rests on return elbow. Straps must be securely nailed to rafters or joists (see Figure 13, details A & B, page 9).

Maximum length of pipe between supports (return elbow or chimney support V12S-8-DM) is 6' of angled run. Maximum of two 6' angled run sections per chimney system.

USING CHIMNEY OFFSET

To achieve desired offset, you may install combinations of 12", 18", 36" and 48" length of double wall pipe (see offset chart and Figure 11 and 12).



OFFSET	RISE	CHIMNEY LENGTH				
		48"	36"	24"	18"	12"
4 3/8"	16 3/8"	ELBOW SET ONLY				
9 3/4"	25 1/2"					1
12 3/4"	30 3/4"				1	
15"	34 3/4"			1		
18"	40"				1	1
21 1/4"	46 1/4"	1				
23 3/4"	49 1/4"			1	1	
27 3/4"	56 3/4"	1				
30"	60 3/4"		1			
33"	66"	1				1
36"	71"	1				1
38 1/4"	75"		2			
41 1/4"	80 1/4"		1		1	1
45"	86 3/4"		2			
46 3/4"	89 1/2"	1				1
51"	97"	1	1			
53 1/4"	101"		2			1
56 1/4"	106 1/4"	2				
59 1/4"	111 1/2"	1	1			1
61 3/4"	115 1/2"	2				1
64 3/4"	120 3/4"	2				1
68 1/4"	127"	1	2			
70"	130"	2				
74 1/4"	137 1/2"	1	2			1
76 3/4"	141 1/2"	1	2			1
79 3/4"	146 3/4"		4			

Figure 11 - Rise and Offset

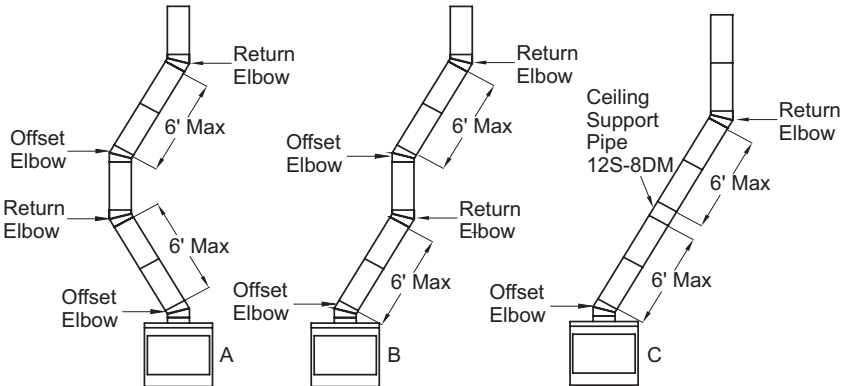


Figure 12 - Typical Offset Installations

VENTING INSTALLATION

Continued

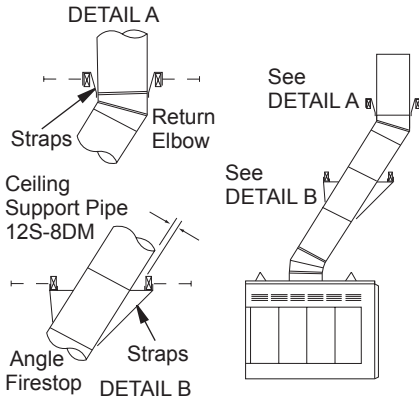


Figure 13 - Chimney Supports

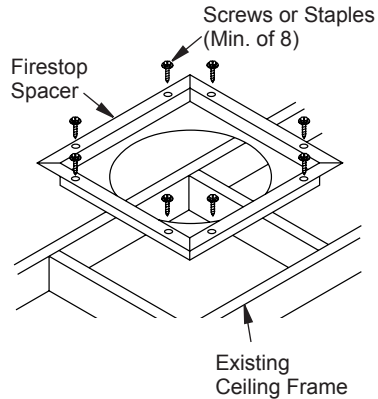


Figure 15 - Firestop Spacer with Attic Space Above Ceiling

FIRESTOP SPACERS (FS-8DM)

Firestop spacers are required at each point where the chimney penetrates a floor or ceiling joist space. Their purpose is to establish and maintain the required clearance between the chimney and the combustible materials.

When the pipe passes through a framed opening into a living space above, the firestop must be placed onto the ceiling from below as shown in Figure 14. When the pipe passes through a framed opening into an attic space above, the firestop must be placed on the attic floor as shown in Figure 15.

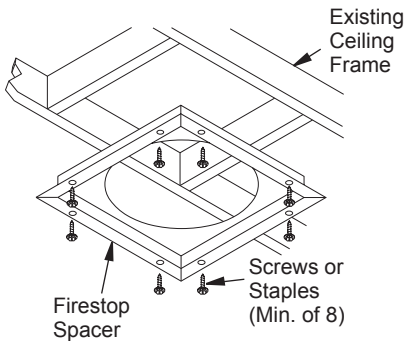


Figure 14 - Firestop Spacer with Living Space Above Ceiling

SUPPORT SECTIONS (12S-8DM)

The chimney support section is a 4-strap 12" length of pipe. A chimney support is required at the 30' level above fireplace after a straight chimney run (see Figure 16). This support is designed to relieve extra weight load on fireplace and elbows when high chimneys are installed.

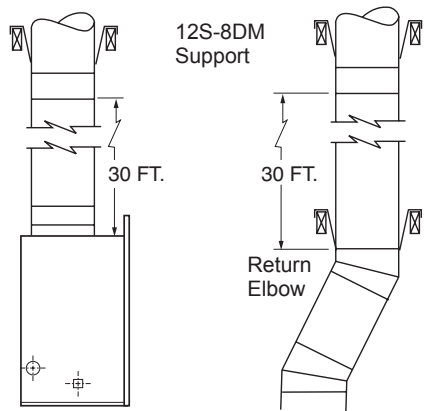


Figure 16 - Support Sections

VENTING INSTALLATION

Continued

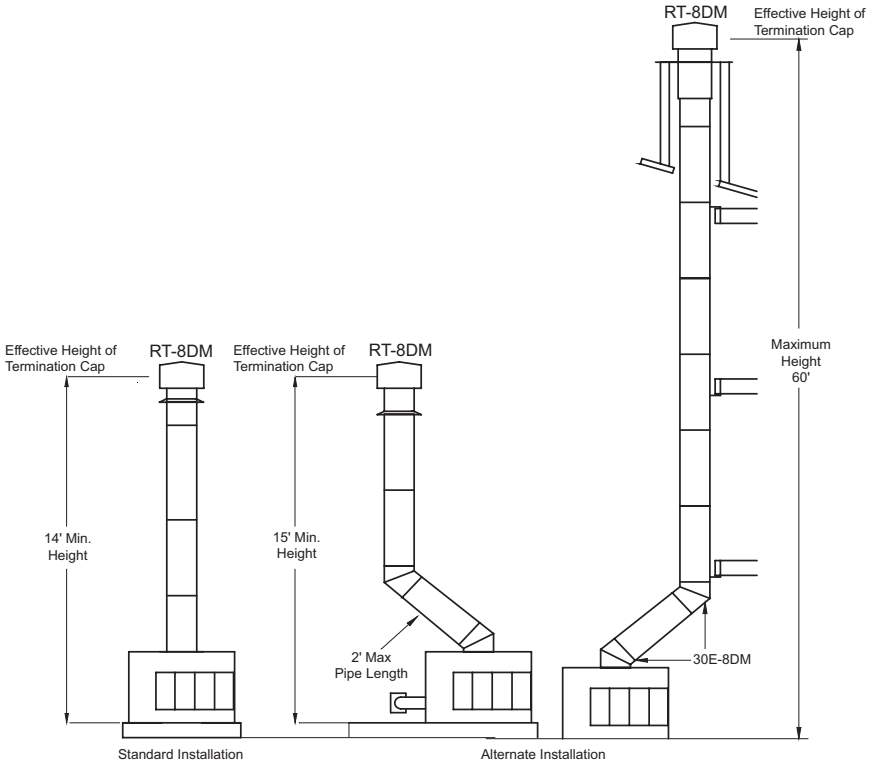
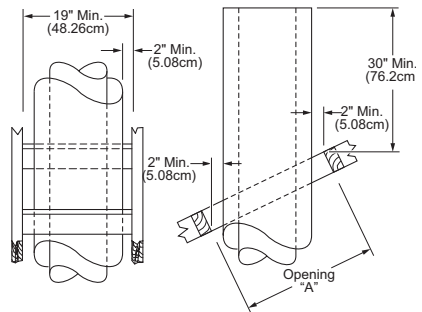


Figure 17 - Typical Installation

PENETRATING ROOF

To maintain a 1" clearance to pipe on a roof with a pitch, a rectangular opening must be cut.

1. Determine the center point through which pipe will penetrate roof.
2. Determine center point of roof. Pitch is the distance the roof drops over a given span, usually 12". A 6/12 pitch means that the roof drops 6" for each 12" one measure horizontally down from roof rafters.
3. Use roof opening chart (Figure 18) to determine correct opening length and flashing required.
4. Remove shingles around opening measured. Cut out this section.



Pitch	Slope	Opening "A" Max.	Used Flashing Model No.
Flat	0°	17"	V6F-8DM
0-6/12	26.6°	19.125"	V6F-8DM
6/12-12/12	45.0°	24.25"	V12F-8DM

Figure 18 - Roof Opening Measurements

VENTING INSTALLATION

Continued

5. Add next sections of pipe until end penetrates roof line. Check to see that proper clearances are maintained. Extend chimney by adding sections of double wall pipe until pipe is minimum of 30" above highest point of roof cutout. Termination and chimney must extend a minimum of 36" above highest point where it passes through the roof.

⚠ IMPORTANT: If an exposed portion of chimney is greater than 4' above roofline, use support wires to keep chimney secured. Support wires may be attached to outer pipe of chimney with screws provided screws do not penetrate inner flue pipe.

FLASHING INSTALLATION

Determine flashing to be used with roof opening chart. Slide flashing over pipe until base is flat against roof. Replace as many shingles as needed to cover exposed area and flashing base. Secure in position by nailing through shingles (see Figure 19). **DO NOT NAIL THROUGH FLASHING CONE.**

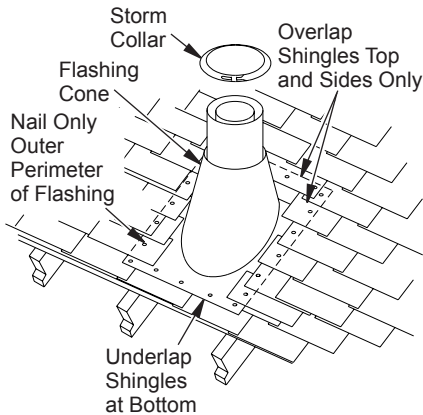


Figure 19 - Flashing Installation

STORM COLLAR INSTALLATION

Place storm collar over pipe and slide down until it is snug against the open edge of the flashing (see Figure 20). Apply waterproof caulking to all seams and notches around storm and also at base around shingles.

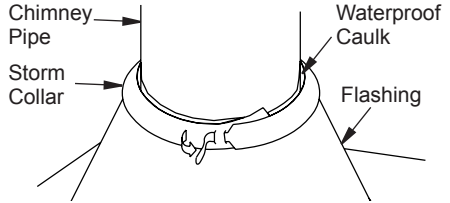


Figure 20 - Storm Collar

TERMINATIONS

Standard Installation

The fireplace system must be terminated with the listed round top or chase terminations. Terminations approved for this fireplace are RTL-8DM, which can be used for flashing or chase and ETL-8DM for chase style termination only. Figure 21 shows an RTL-8DM round top termination.

Follow installation instructions provided with termination being used.

⚠ CAUTION: Do not seal openings on the rooftop flashing. Follow the installation instructions provided with the termination being used.

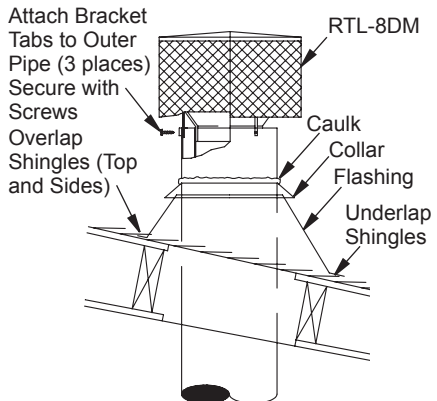


Figure 21 - Terminations

VENTING INSTALLATION

Continued

Chase installations

Instructions for chase installations are included with the chase style termination chosen. In a multiple chase installation, be sure to provide adequate distance between terminations to prevent smoke spillage from one termination to another. Terminations must be separated a minimum of 30" center to center and stacked at a minimum vertical height difference of 18" (see Figure 22).

Note: If a decorative shroud is to be installed, contact the manufacturer for specifications.

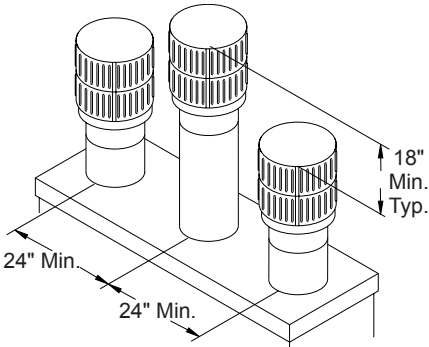


Figure 22 - Multiple Chase Installation

10 FOOT RULE

All chimney terminations must extend a minimum of 3' above the highest point where it passes through the roof and must be at least 2' above roof with a 10' horizontal span (see Figure 23).

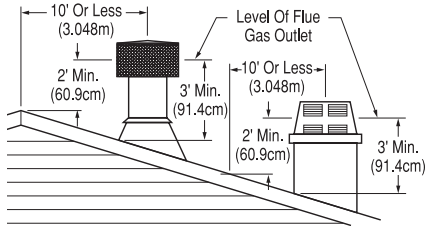


Figure 23 - 10 Foot Rule

FINISHING FIREPLACE

Combustible materials, such as wallboard, gypsum board, sheet rock, drywall, plywood, etc. may directly contact sides and top front edge at nailing flanges of fireplace face. It is important that combustible materials do not overlap the face itself. Brick, glass, tile or other noncombustible materials may overlap the front face provided they do not obstruct louvered slots or any other opening. When overlapping with a noncombustible facing material, use only noncombustible mortar or adhesive appropriate for the particular installation.

OPTIONAL GAS LINE INSTALLATION

WARNING: A qualified service person must connect fireplace to gas supply. Follow all local codes.

NOTICE: Before you proceed, make sure your gas supply is turned off.

A gas line may be installed for the purpose of installing a vented or vent-free decorative gas appliance available through your local distributor. Use only gas piping approved by local codes. When installing a gas line, a shutoff valve designed for installation outside the appliance is recommended.

The gas pipe is intended for connection to a decorative gas appliance that operates using natural or propane/LP gas only. This appliance must have an automatic shutoff device and must comply with the *Standard for Decorative Gas Appliances for Installation in Vented Fireplace, ANSI Z21.60*. **ONLY UNVENTED GAS LOG SETS WHICH HAVE BEEN FOUND TO COMPLY WITH THE STANDARD FOR UNVENTED ROOM HEATERS, ANSI Z21.11.2, ARE TO BE INSTALLED IN THIS FIREPLACE.**

OPTIONAL GAS LINE INSTALLATION

Continued

Use only a 1/2" black iron pipe and appropriate fittings.

1. Remove knockout indentation on refractory or firebrick wall located approximately 2" above the refractory hearth floor. The knockout indentation must be firmly tapped with any solid object such as a 1/2" dowel until it is released. Remove fragmented portions of refractory (see Figure 24).
2. Remove gas line cover plate located on rear of fireplace and pull out insulation from gas line conduit sleeve. Save insulation for reuse.

3. Run gas line into the fireplace through the rear at 11 1/4" from floor and through gas line conduit sleeve (if using a raised platform, add height). Provide sufficient gas line into fireplace chamber for fitting connection (see Figure 25).

Note: Secure incoming gas line to wood framing to provide rigidity for threaded end.

4. Repack insulation around gas line and into sleeve opening. Seal any gaps between gas line and refractory knockout hole with refractory cement or commercial furnace cement. Install the gas appliance or cap off gas line if desired.

CAUTION: All gas piping and connections must be tested for leaks after the installation is completed. After ensuring that the gas valve is on, apply soap and water solution to all connections and joints. Bubbles forming show a leak. Correct all leaks at once. DO NOT USE AN OPEN FLAME FOR LEAK TESTING AND DO NOT OPERATE ANY APPLIANCE IF A LEAK IS DETECTED. LEAK TESTING SHOULD BE DONE BY A QUALIFIED SERVICE PERSON.

WARNING: If the fireplace has been used for wood burning, the firebox and chimney must be cleaned of soot, creosote and ashes by a qualified chimney cleaner. Creosote will ignite if heavily heated.

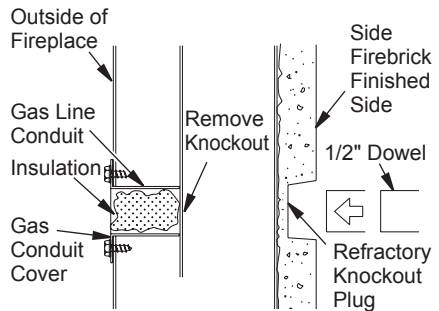


Figure 24 - Gas Line Knockout

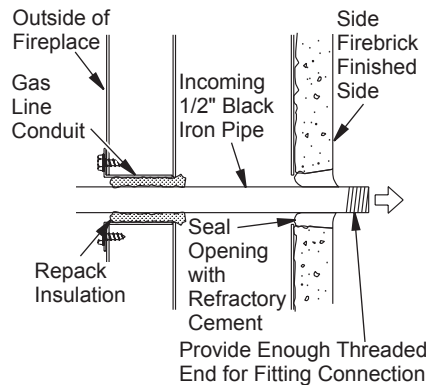


Figure 25 - Gas Line Installation

OPERATION AND MAINTENANCE GUIDELINES

VENT-FREE GAS LOG INSTALLATION

Only unvented gas log sets that comply with the standard for unvented room heaters, ANS Z21.11.2, can be installed in this fireplace.

Note: An appropriate FMI PRODUCTS, LLC hood (see [Replacement Parts and Accessories](#), page 16) must be installed when using an unvented gas log set.

⚠ WARNING: Do not operate an unvented gas log set in this fireplace with the chimney removed.

VENTED GAS LOG INSTALLATION

Only vented decorative appliances (vented gas log sets) that comply with the *Standard for Decorative Gas Appliance for Installation in Solid Fuel Burning Fireplace*, ANS Z21.1.60, can be installed in accordance with the *National Fuel Gas Code*, ANS Z223.1 in this fireplace.

⚠ WARNING: When using a decorative vented gas log, the damper must be removed or permanently locked in the fully open position and the glass doors must be in the fully open position.

COLD CLIMATE INSTALLATION

The following installation procedures are recommended when installing a fireplace system in a cold climate area. Following these steps will aid in reducing cold air infiltration from fireplace enclosure into living space.

1. Fireplace must be placed on a solid continuous surface. Add insulation under fireplace in all cold climate areas.
2. Insulate under raised platform or cantilevered chase to reduce air infiltration.
3. Insulate walls of chase, both outer and interior partitioning wall (see Figure 26). Clearances from pipe to insulating material must be maintained.

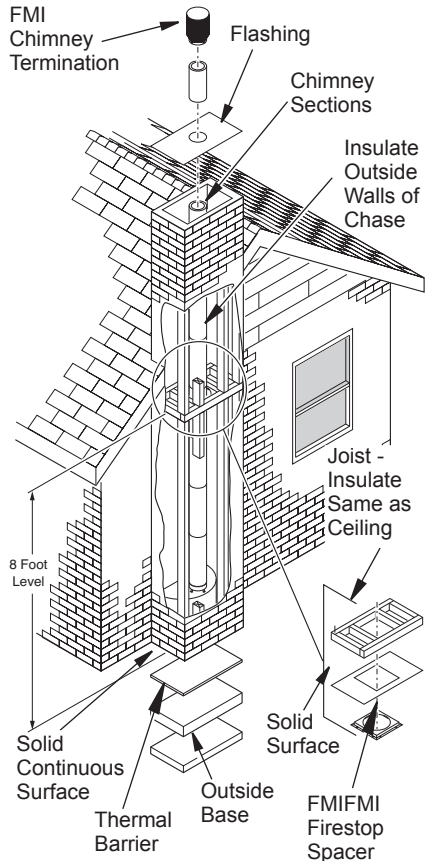


Figure 26 - Cold Climate Installation

OPERATION AND MAINTENANCE GUIDELINES

Continued

4. Install a firestop spacer in chase at ceiling level for safety and reduction of cold air movement (see *Accessories*, page 16).
5. Do not insulate top of firebox. The opening in collar around chimney at top of firebox must not be obstructed (see Figure 27).
6. Before finishing fireplace enclosure, inspect all joints of outer firebox. Seal any gaps of outer firebox with noncombustible material. Caulk any gaps between nailing flange and framing.

- The glass must be allowed to warm slowly and evenly. The tempered glass will withstand a gradual temperature rise to 550° F, which is more than a normal fire will generate. Such materials as pitch/wax laden logs, very dry mill end lumber and large amounts of paper or cardboard boxes. Always keep the fire well back from the doors and never allow flames to contact the glass.

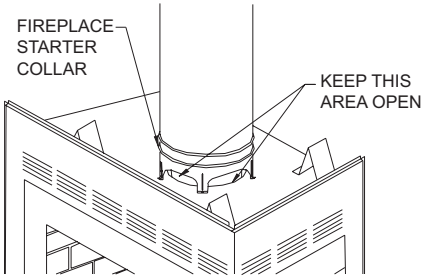


Figure 27 - Fireplace Collar Opening

⚠ WARNING: Fireplaces equipped with glass doors should be operated only with doors fully opened or doors fully closed. Doors, if left partly open, may draw gas and flame out of the fireplace opening creating risks of both fire and smoke.

GLASS DOORS

Bi-fold glass doors are optional with this fireplace. Check with your local distributor for availability.

To install glass doors, refer to installation instructions that are included with kit. When fireplace is in operation, doors must be fully open or fully closed position only or a fire hazard may be created (see Figure 28).

A fireplace equipped with glass doors operates much differently than a fireplace with an open front. A fireplace with glass doors has a limited amount of air for combustion. Excessive heat within the fireplace can result if too large a fire is built or if combustion air gate is not completely open.

The following tips should be followed to assure that both the fireplace and glass door retain their beauty and function properly.

- Both the flue damper and glass doors must be fully opened before starting fire. This will provide sufficient combustion air and maintain safe temperatures in firebox.

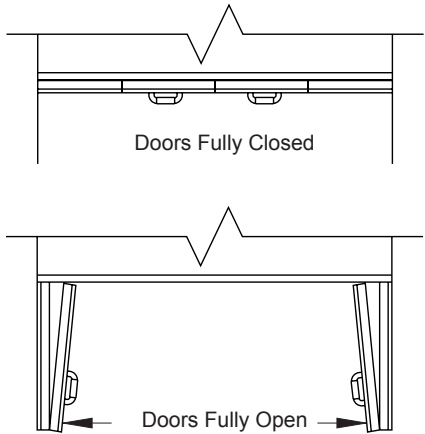


Figure 28 - Glass Doors on Fireplace

Cleaning Glass

Clean glass with any commercial glass cleaner or soap and water. Do not use any abrasive material to clean glass. Do not clean glass with any cool water if glass is still hot from the fire. To remove doors, refer to instructions included with glass door kit.

OPERATION AND MAINTENANCE GUIDELINES

Continued

GRATE

The grate is designed to provide you with the maximum solid fuel capacity. Do not overload grate or obstruct required air space beneath it. Always keep ashes from building up under grate.

⚠ WARNING: Risk of fire! Replace grate made for use with this fireplace only. See Replacement Parts.

CHIMNEY

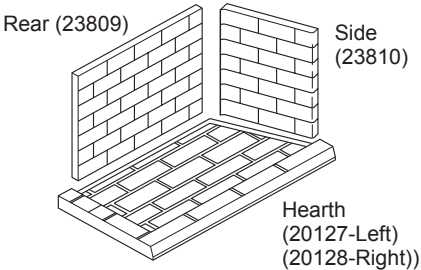
Have your chimney system cleaned and inspected regularly to ensure safe and efficient operation.

TECHNICAL SERVICE

You may have further questions about installation, operation, or troubleshooting. If so, contact FMI PRODUCTS, LLC at 1-866-328-4537. When calling please have your model and serial numbers of your heater ready.

You can also visit our web site at www.fmiproducts.com.

REPLACEMENT PARTS



REFRACTORY (36L Shown)

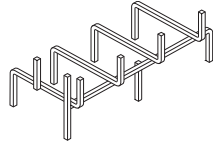
EMBER PROTECTOR 20093



GRATE

11118 - Left

11119 - Right



SCREEN - 12111 (Not Shown)

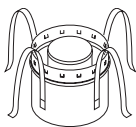
PUSH ON NUT - 11418 (Not Shown)

SCREEN ROD - 20806 (Not Shown)

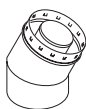
ACCESSORIES

Note: Not all accessories are available for all models.

CHIMNEY SUPPORT 12S-10DM

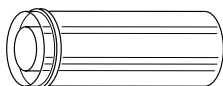


Starter
Elbow

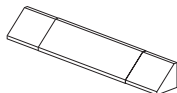


Return
Elbow

DOUBLE WALL 30° ELBOW/OFFSET 30E-8DM

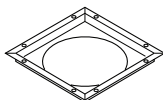


8" CHIMNEY PIPE ASSEMBLY
12-8DM, 18-8DM, 24-8DM, 36-8DM, 48-8DM
(Chimney pipe assembly includes outer and inner pipes and comes with wire spacer.)

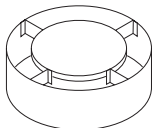


ADJUSTABLE HOOD
Painted Black - GA6050
Polished Brass - GA6052
Antique Brass - GA6053

FIRESTOP SPACER FS-8DM



ANTI-DRAFT SHIELD
(Round Top
Termination Only)
ADS-8DM

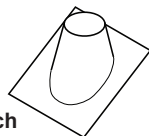


STORM COLLAR

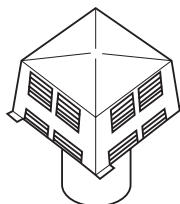
SC1 - Used for
RT-8DM and RTL-8DM
SC2 - Used for RTT-8DM and RTTL-8DM



ROOF FLASHING
V6F-8DM 0 to 6/12 Pitch
V12F-8DM 6/12 to 12/12 Pitch

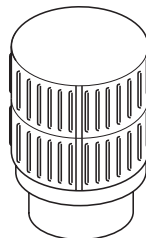


**SQUARE TOP
TERMINATION**
ET-8DM, ETO-8DM

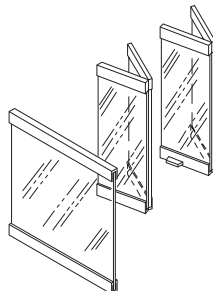


**SQUARE TOP
TERMINATION
WITH SLIP SECTION**
ETL-8DM, ETLO-8DM

**ROUND TOP
TERMINATION**
RT-8DM, RTL-8DM



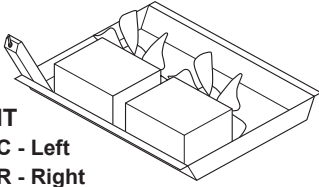
**ROUND TOP
TERMINATION WITH
SLIP SECTION**
RTT-8CM, RTTL-8DM



BI-FOLD GLASS DOORS
VDBP36C - Black
VDG36C - Brushed Brass
DC36L/R/LS/RS - Platinum

ACCESSORIES

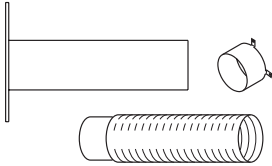
Continued



FAN KIT

VCBK4C - Left

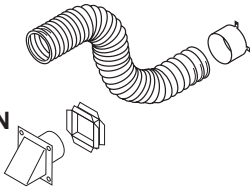
VCBK4R - Right



OUTSIDE AIR KIT FOR FLOOR INSTALLATION - AK4

HIGHT TEMPERATURE TOUCH-UP PAINT - 106583-01 (Not Shown)

OUTSIDE AIR KIT FOR SIDE WALL INSTALLATION AK4F





FMI PRODUCTS, LLC

2701 S. Harbor Blvd.

Santa Ana, CA 92704

1-866-328-4537

www.fmiproducts.com

54010

Rev. G

09/13