



# NCD-36S CONVERSION KIT INSTALLATION INSTRUCTIONS

## For Use When Converting Model DVF-36P(H,S)-S Series from Propane/LP Gas to Natural Gas

This conversion kit must be installed by a qualified service agency.

Read these instructions completely before installing this conversion kit.

Before proceeding, make sure gas control valve is in the OFF position, all electrical power to appliance is off and fireplace is cool to the touch.

**CAUTION:** The gas supply shall be shut off prior to disconnecting the electrical power before proceeding with the conversion.

Parts included with this kit:

Part No.	Description	Quantity
123806-01	Instruction Sheet	1
112371-15	Burner Orifice NG (47)	2
123802-01	Gas Valve Regulator NG & Injector	1
123810-02	Conversion Label	1
106080-01	Conversion Information Label	1
106739-01	Registration, Gas Conversion	1

### Tools Required

- 3/8" Hex Socket Wrench or Adjustable Wrench
- 7/8" Open End Wrench or Adjustable Wrench
- 3/4" Open End Wrench or Adjustable Wrench
- Slotted Screwdriver
- Needle Nose Pliers
- #2 Short Phillips Screwdriver
- Thread Sealant (Resistant to Propane/LP)

### ACCESSING FIREPLACE

The gas control valve and main burner orifice are located under the firebox floor of the appliance and are accessed by removing the bottom access panel or bricks. The 2 orifices are located in the burners and are accessed by removing the bottom access door or bricks, glass door and burner.

### Removing Bottom Access Panel or Bricks

Remove bottom access panel or bricks by pulling top end forward and away from appliance (see Figure 1). To install or replace items removed, reverse procedures above.

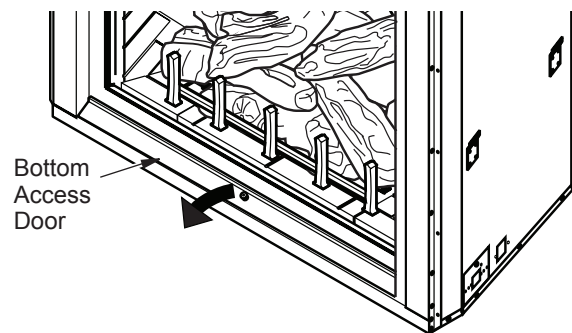


Figure 1 - Removing Bottom Access Panel or Bricks

### Removing Glass Door

Gloves must be worn when removing/replacing glass door. If glass is broken tape remaining glass onto frame before removing.

1. Remove screens if installed.
2. Open bottom access panel.
3. Unlock 2 door latches on bottom of firebox.
4. Tilt open glass door 30° from bottom of firebox and lift up to release door from firebox top retainer (see Figure 2).

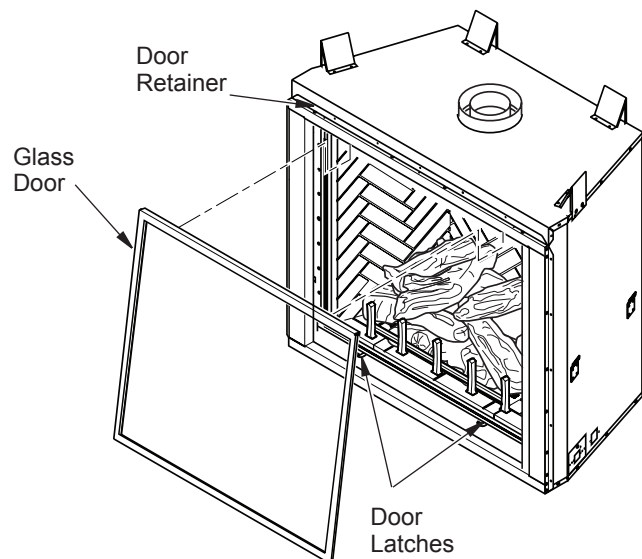
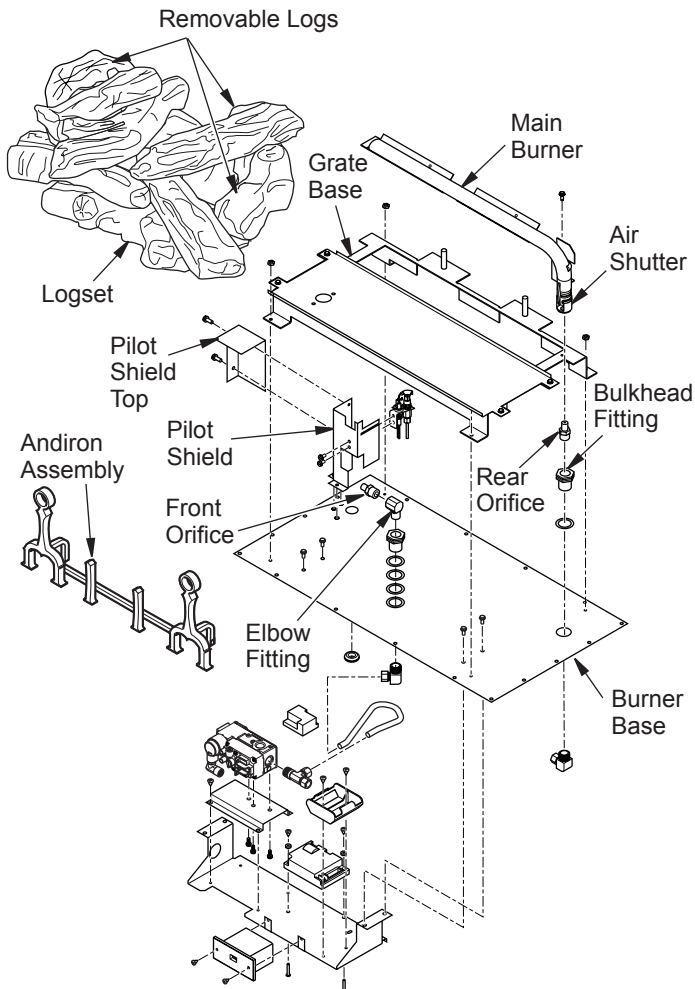


Figure 2 - Removing Glass Door

## BURNER ORIFICE CONVERSION

1. Remove andiron by lifting up and away from back of fireplace (see Figure 3).
2. Carefully lift 3 loose logs from burner.
3. Remove hex nuts that attach pilot shield and grate base to burner base and 2 screws on side of pilot shield top.
4. Remove main burner from grate base by removing screw located at right inner corner of firebox, and lifting up and toward the right (see Figure 3).
5. Remove logset with grate base by holding sides of grate base and lifting carefully to clear front orifice on right and pilot shield on the left.
6. Remove LP orifice from elbow and bulkhead fittings. Apply a light amount of propane/LP resistant sealant to threaded end of NG orifices (#47) supplied with kit. Thread NG orifices into fittings and tighten.
7. Adjust air shutter to 3/16" open position.
8. Reinstall logset with grate base, main burner, and loose logs removed in steps 2, 3, and 4.



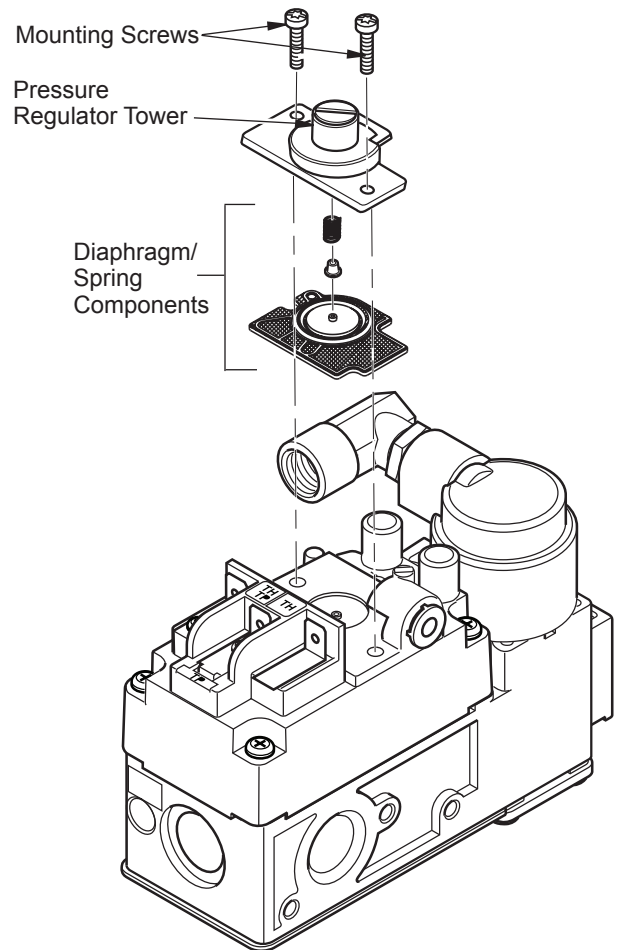
**Figure 3 - Removing Orifice for Conversion (Valve Shown Removed from Base for Clarity)**

## GAS CONTROL VALVE CONVERSION

Convert gas control valve by replacing valve regulator portion of gas valve.

1. Partially press down and turn valve control knob to OFF position.
2. Remove 2 screws, regulator tower and diaphragm/spring components.
3. Install new diaphragm/spring components, regulator tower and 2 screws from conversion kit.
4. Turn control knob to PILOT to light pilot. Turn control knob to ON.
5. Leak test with leak detection solution with main burner ON.

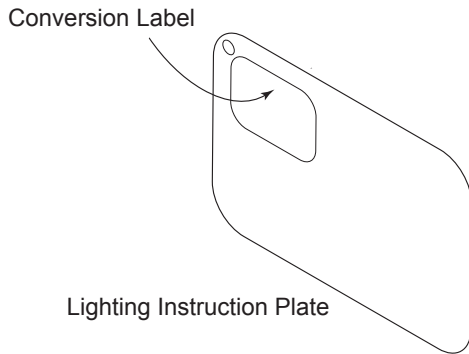
*Note: In replacement and conversions use only new parts provided. When converting to different gas you must also change pilot and burner orifices.*



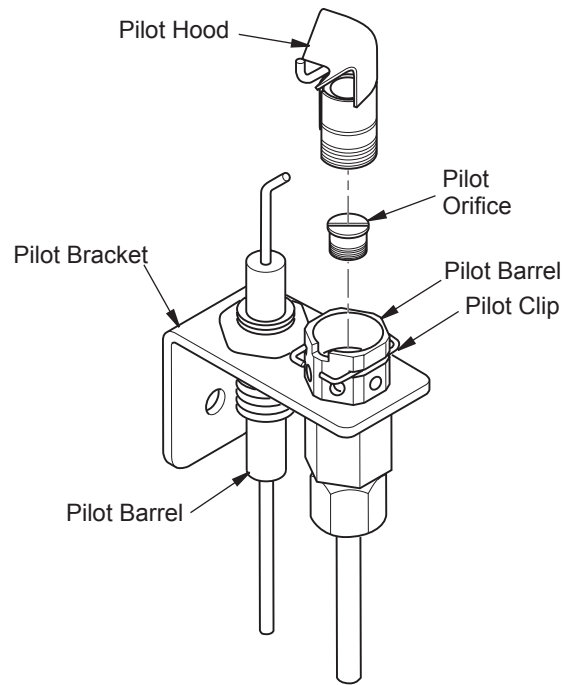
**Figure 4 - Removing Mounting Screws, Pressure Regulator Tower and Diaphragm/Spring Components**

## CONVERSION LABELING AND PLACEMENT

1. Apply conversion label over top of existing certification label (see Figure 5). Existing certification label is located on lighting instruction plate inside gas valve compartment area. With permanent ink, print previous model number on label in space provided (see Figure 6).
2. After filling in data required on conversion information label (see Figure 7), affix it to floor of appliance where it is easily seen when lower louver is removed.



**Figure 5 - Apply Conversion Label over Existing Certification Label on Lighting Instruction Plate**



**Figure 8 - Converting Pilot Orifice**

VENTED GAS FIREPLACE	
Conversion Kit Model	_____
Type of Gas	_____
_____	_____
_____	_____
_____	_____
_____	_____
_____	_____
_____	_____
_____	_____
Previous Model #	_____

**Figure 6 - Print Previous Model Number on Conversion Label**

CONVERSION INFORMATION LABEL	
This appliance was converted on _____ to _____ gas	
Day	Month Year
with Kit No. _____	
by _____	
_____	
(name and address of organization making this conversion), which accepts the responsibility that this conversion has been properly made.	
56060	106080-01

**Figure 7 - Conversion Information Label**

## PILOT ORIFICE CONVERSION

1. Remove pilot hood from barrel using tweezers or needle nose pliers to open clip (see Figure 8).
2. Remove pilot orifice from inside barrel with slotted screwdriver.
3. Replace pilot orifice with orifice supplied with this kit. Insert open end of new pilot orifice inside barrel and thread pilot orifice with slotted screwdriver.
4. Reinstall pilot hood into barrel then reinstall clip to secure pilot hood.

**IMPORTANT:** Be careful not to bend or kink the aluminum tubing during conversion. Make sure pilot hood and orifice are properly mated and aligned after finishing this conversion.

## FINAL PREPARATION

1. Leak check gas control and any connections you've made before operating appliance. Refer to Checking Gas Connections in owner's manual.
2. Reinstall glass door and close latches.
3. Replace screen and reinstall bottom access panel or bricks.

The conversion is now complete.

To operate your fireplace, refer to Operating Fireplace in your appliance owner's manual.

**WARNING:** Test all gas piping and connections, internal and external to unit, for leaks after installing or servicing. Correct leaks at once.

**WARNING:** Never use an open flame to check for a leak. Apply noncorrosive leak detection fluid to all joints. Bubbles forming show a leak. Correct all leaks at once.

**WARNING:** This conversion kit shall be installed by a qualified service agency in accordance with the manufacturer's instructions and all applicable codes and requirements of the authority having jurisdiction. If the information in these instructions is not followed exactly, a fire, explosion or production of carbon monoxide may result causing property damage, personal injury or loss of life. The qualified service agency is responsible for the proper installation of this kit. The installation is not proper and complete until the operation of the converted appliance is checked as specified in the manufacturer's instructions supplied with the kit.



DESA Heating, LLC  
2701 Industrial Drive  
Bowling Green, KY 42101  
[www.desatech.com](http://www.desatech.com)  
1-866-672-6040



123806 01  
NOT A UPC

123806-01  
Rev. A  
05/08