

For more information, visit [www.desatech.com](http://www.desatech.com)

Kit Includes:

- 2 - Louvers
- 1 - Instruction Sheet

Check to see that new louvers in your kit are the same length as old louvers on your heater and the desired color. If not, return kit to dealer and exchange for the correct kit.

### TOP LOUVER

1. Remove four screws from top louver using a Phillips screwdriver (see Figure 1).
2. With rungs pointing down, install new louver using 4 screws removed in step one. Tighten all screws securely.

### BOTTOM LOUVER

1. Lower bottom louver door.
2. There are two screws on each end of louver door that hold hinges in place. Remove two screws from right end of louver door only (see Figure 2). The louver door should easily pull free of cabinet. Do not remove second hinge or screws at this time.

**IMPORTANT:** Hinges are not interchangeable. The left hinge must stay on the left side and right hinge must stay on the right side.

**Note:** Screws are numbered by order of installation. See Figure 4.

3. Attach hinge to right end of new louver beginning with screw #1 (see Figure 4). Start screw #2 into hinge, then tighten both screws.
4. Insert hinge already secured to new louver into hinge installation hole on right side of cabinet where originally positioned. See Figure 3.
5. Remove second hinge from old louver.
6. Insert second hinge into hinge installation hole on left side of cabinet where originally positioned. Start screw #3 into louver and hole on hinge (see Figure 4). Insert screw #4 then tighten both screws.
7. Close louver door.

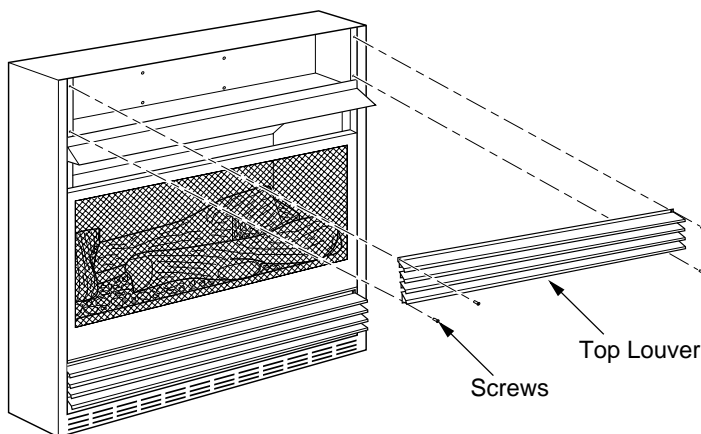


Figure 1 - Removing Top Louver

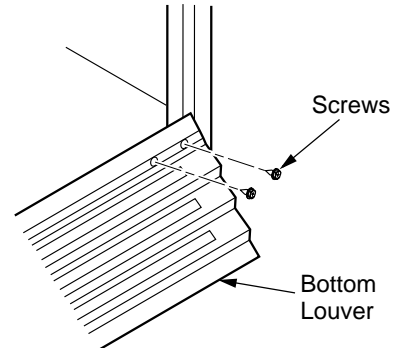


Figure 2 - Removing Screws from Hinge

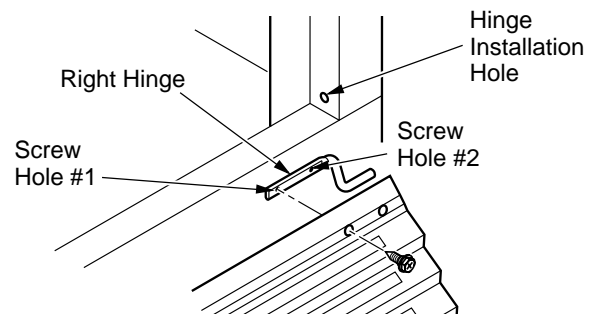


Figure 3 - Left and Right Hinges

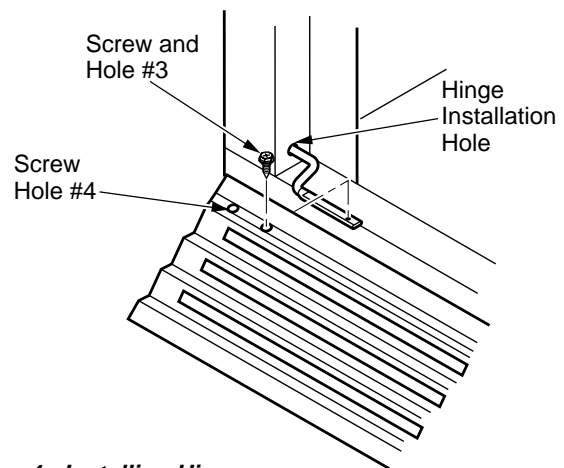
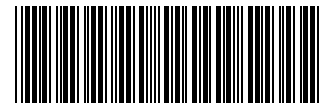


Figure 4 - Installing Hinges

**DESA™**  
HEATING PRODUCTS

2701 Industrial Drive  
P.O. Box 90004  
Bowling Green, KY 42102-9004

[www.desatech.com](http://www.desatech.com)



NOT A UPC

111544-01  
Rev. A  
04/03