

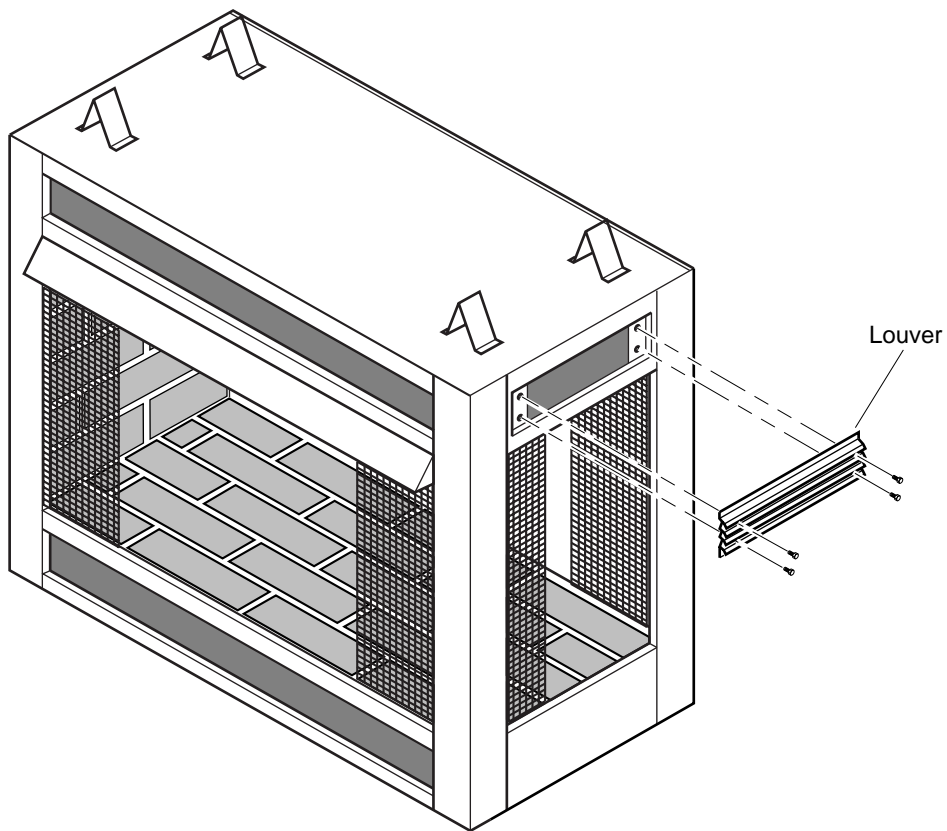
VANGUARD®

Brass-Look Louver Kit GBL17

For Replacing Top End Louver for Peninsula

INSTRUCTIONS FOR REPLACING LOUVER

1. Remove the four phillips screws that hold the black louver in place. Keep screws.
2. Remove black louver. Install new brass louver and align screw holes.
3. Attach new brass louver with four phillips screws removed in step 1.



DESA
INTERNATIONAL

2701 Industrial Drive
P.O. Box 90004
Bowling Green, KY 42102-9004



105162 01

NOT A UPC

105162-01
REV. A
09/98