

# GWMS2 Wall Mounted Switch Kit

For Use With Vanguard Remote-Ready Log Sets or Fireplace Systems

**READ AND FOLLOW INSTALLATION INSTRUCTIONS !**

**INSTALLATION SHOULD BE DONE BY A QUALIFIED INSTALLER  
FAMILIAR WITH LOW-VOLTAGE WIRING PROCEDURES.**

**⚠ WARNING: Do not connect this switch or log set to any electrical source! Electrical shock and/or fire hazard will occur.**

## Contents Of Kit

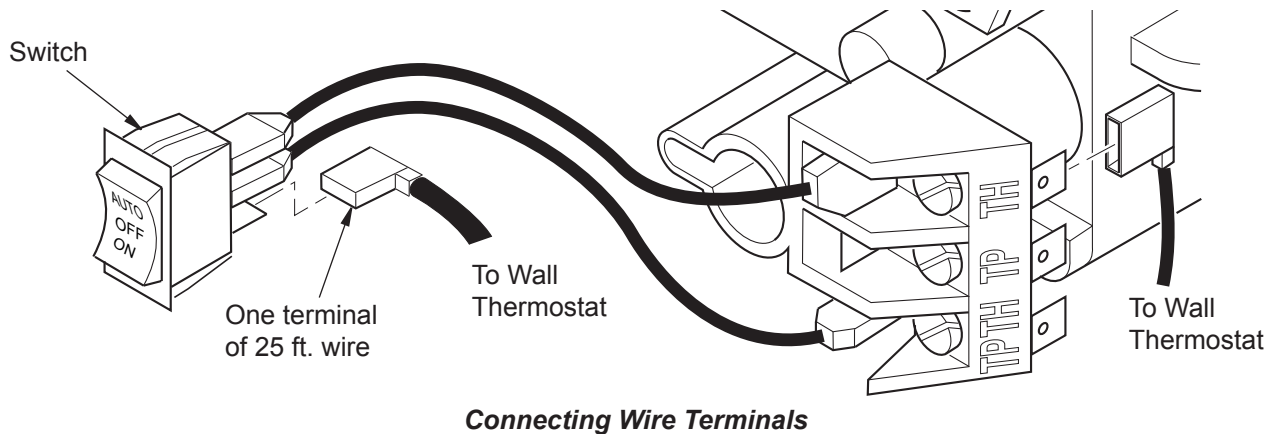
- Switch
- Switch Cover (with screws)
- 25 Ft. Wire

## Connecting to Log Set

1. Connect one terminal of 25 ft. wire to bottom contact of switch located on heater front control panel (see Figure 1).
2. Connect remaining wire terminal to the "TH" terminal on the control valve (see Figure 1).
3. Route the 25 ft. wire to a convenient location. *IMPORTANT:* The wire may be shortened but must not be lengthened.

**⚠ WARNING: Do not connect the switch to a power source. Electrical shock and/or fire hazard will occur.**

4. Connect one bare wire end to each of the terminals of the provided wall switch.
5. Install the wall switch and cover in the wall.



104919 01  
NOT A UPC

**DESA**  
HEATING PRODUCTS  
2701 Industrial Drive  
P.O. Box 90004  
Bowling Green, KY 42102-9004  
www.desatech.com  
1-866-672-6040

104919-01  
Rev. B  
02/07