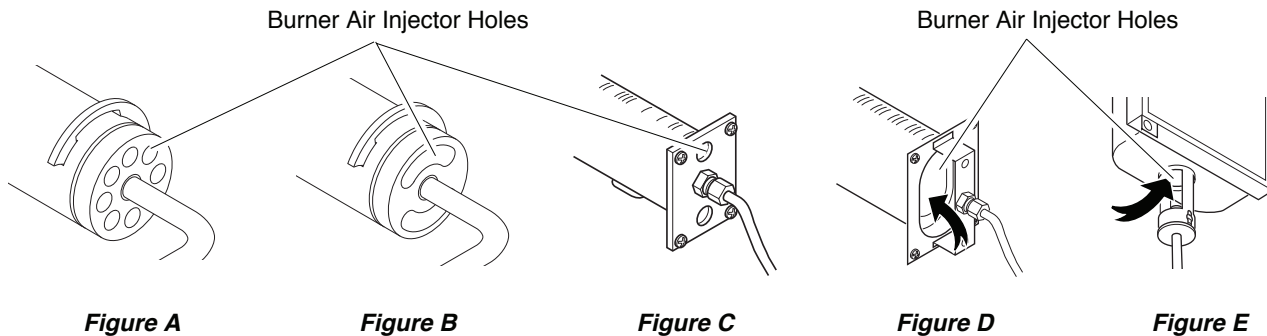


Use & Maintenance Tips for Vent-Free Gas Products

Your vent-free gas heater, logs, fireplace, or stove require periodic maintenance to burn cleanly and operate as designed. Failure to perform this maintenance can lead to soot buildup around the product and throughout your home. Please perform the following actions at least every three months of operation to insure trouble-free performance.

To aid in the periodic maintenance of your vent-free gas heating appliance, we offer the GCK: Vent-Free Gas Appliance Cleaning Kit. This kit includes an inspection mirror with telescoping handle, air duster bulb, pipe cleaner, and a detailed instruction sheet. See your retailer to purchase this kit.

- The burner air injector holes must be free of dust, lint, and hair. This device is located at the lower rear of your burner assembly, and looks like one of the illustrations below:



- Using a can of compressed air, air duster bulb, or computer keyboard cleaner, remove any dust, lint, or pet hair from the holes in the injector. Direct air deep inside burners that look like Figure D (injector bracket may differ depending on model) or Figure E. *These holes must be completely clear and open.* Because air from the room is constantly flowing into these holes during heater operation, they can accumulate dust, lint, and pet hair. *Plugging of these holes is the most common cause of burner sooting.*
- Vacuum burner ports (or surface of plaques) and surrounding firebox or cabinet area.
- Locate the pilot flame tube and check for dust buildup. Remove any accumulation with a can of compressed air, air duster bulb, or computer keyboard cleaner. *Do not insert anything down the pilot tube.*
- Look for dark streaks or soot buildup on the logs, indicating one or more logs are installed out of position and must be repositioned as shown in the owner's manual.
- Look for cracked or broken logs. Any damaged logs must be replaced before the unit is used again.
- For heaters, stoves, and gas logs with steel burner tubes, check for dust or lint buildup in the slots along the burner tubes. Use a can of compressed air, air duster bulb, or computer keyboard cleaner to remove any dust and lint from the burner tube.
- Soot can damage walls, curtains, carpets, and other personal property. Sooting can be caused by combining any of the following situations/activities with burning of your vent-free gas product:
 - Burning candles or oil lamps of any kind
 - Burning incense
 - Smoking cigarettes, cigars, or pipe
 - Incorrectly placed logs causing flames to contact logs
 - Placing objects in or near the flames of your heater
 - Allowing burner air inlets or pilot burner to get dirty with dust, dirt, lint, or pet hair
 - Running ceiling fans near products or other drafty conditions. This can disturb the normal flame patterns in your heater.
 - Having a dirty firebox and chimney (if your log set is in a vented fireplace formerly used for burning wood)

For more information on the care and maintenance of your vent-free heating appliance, refer to your owner's manual, call 1-866-328-4537, or visit our web page at <http://fmisupport.hcents.com/>



2701 South Harbor Blvd.
Santa Ana, CA 92704-5803
www.fmiproducts.com

108656-01